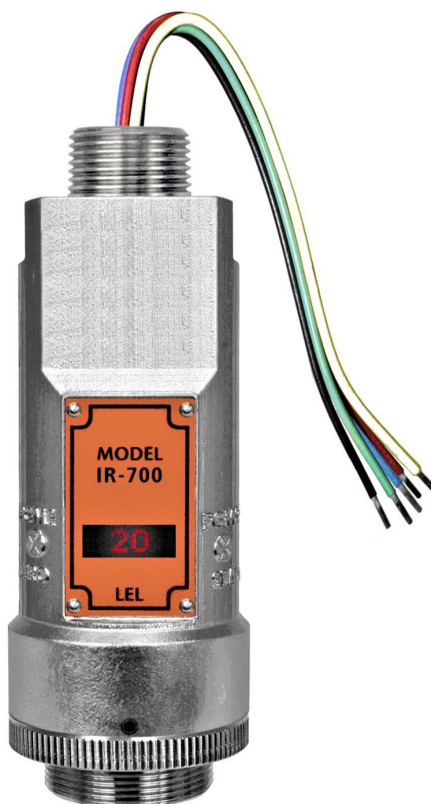


INSTRUCTION MANUAL

Detcon Model IR-700



IR-700 Combustible Gas Sensor 0-100% LEL and 0-50% LEL range

IR-700 CO₂ Carbon Dioxide Gas Sensor All Ranges



◆ TELEDYNE DETCON, Inc.
4055 Technology Forest Blvd.,
The Woodlands, Texas 77381
Phone 713.559.9200
www.teledynegasandflamedetection.com

This page left intentionally blank

Table of Contents

1.	Introduction	1
1.1	Description	1
1.1.1	Non-Dispersive Infrared (NDIR) Optical Sensor Technology	1
1.1.2	Principle of Operation	2
1.1.3	Performance Characteristics	2
1.2	Sensor Electronics Design	3
1.2.1	Intelligent Transmitter Module.....	3
1.3	Modular Mechanical Design.....	3
1.4	Plug-in Replaceable Sensor	4
2.	Installation	5
2.1	Operational Guidelines for Safe Use – HazLoc Certifications	5
2.2	Sensor Placement.....	6
2.3	Sensor Contaminants and Interference	7
2.4	Mounting Installation.....	7
2.5	Electrical Installation	10
2.6	Field Wiring	11
2.7	Initial Start Up.....	13
3.	Operation	15
3.1	Programming Magnet Operating Instructions.....	15
3.2	Operator Interface	16
3.3	Normal Operation	17
3.4	Calibration Mode (AutoZero and AutoSpan)	18
3.4.1	AutoZero.....	18
3.4.2	AutoSpan	18
3.5	Program Mode	20
3.5.1	View Sensor Status.....	21
3.5.2	Set AutoSpan Level.....	22
3.5.3	Set Gas Type& Range	23
3.5.4	Set Gas Factor.....	23
3.5.5	Set Serial ID	24
3.5.6	Set Sensor Gain	25
3.5.7	Signal Output Check.....	25
3.5.8	Restore Factory Defaults	26
3.6	Program Features	26
3.6.1	Operational Features.....	27
3.6.2	Fault Diagnostic/Fail-Safe Features	27
4.	RS-485 Modbus™ Protocol	30
	Content Description.....	30
5.	Service and Maintenance.....	32
5.1	Calibration Frequency.....	32
5.2	Visual Inspection	32
5.3	Condensation Prevention Packet.....	32
5.4	Replacement of IR Plug-in Combustible Gas Sensor	32
5.5	Replacement of ITM.....	33
5.6	Replacement of IR-700 Sensor Assembly	34
6.	Troubleshooting Guide.....	35
7.	Customer Support and Service Policy	38
8.	IR-700 Sensor Warranty	39
9.	Appendix	40
9.1	Specifications.....	40
9.2	Spare Parts, Sensor Accessories, Calibration Equipment.....	43

10. Revision Log 44

Table of Figures

Figure 1 Sensor Cell Construction 1
 Figure 2 Principle of Operation 2
 Figure 3 Response Curve 2
 Figure 4 ITM Circuit Functional Block Diagram 3
 Figure 5 Sensor Assembly Front View 3
 Figure 6 Sensor Assembly Breakaway 4
 Figure 7 IR Sensor Cell 4
Figure 8 HazLoc Certification Approval Label 5
 Figure 9 Outline and Mounting Dimensions (Sensor Assembly only) 8
 Figure 10 Outline and Mounting Dimensions (Stainless Steel Junction Box) 9
 Figure 11 Outline and Mounting Dimensions (Aluminum Junction Box) 9
 Figure 12 Outline and Mounting Dimensions (Mini Stainless Steel Junction Box) 10
 Figure 13 Typical Installation 11
 Figure 14 Sensor Wire Connections 12
 Figure 15 Magnetic Programming Tool 15
 Figure 16 Magnetic Programming Switches 15
 Figure 17 IR-700 Software Flowchart 17
 Figure 18 Sensor Assembly 32

List of Tables

Table 1 Wire Gauge vs. Distance 12
 Table 2 Gas Factors 24
 Table 3 Modbus™ Registers 30
 Table 4 Modbus™ Special Registers 31

1. Introduction

1.1 Description



Detcon Model IR-700 combustible gas sensors are non-intrusive “Smart” sensors designed to detect and monitor combustible hydrocarbon gases in air. The range of detection is 0-100% LEL or 0-50% LEL. The Model IR-700 CO₂ Sensor is designed to detect CO₂ in air at ranges from 0-.3% to 0-100% by Volume. The sensor features an LED display of current reading, fault and calibration status. The unit is equipped with standard analog 4-20mA and Modbus™ RS-485 outputs. A primary feature of the sensor is its method of automatic calibration, which guides the user through each step via fully scripted instructions shown on the LED display.

The microprocessor-supervised electronics are packaged in an encapsulated module and housed in an explosion proof casting. The unit includes a 4 character alpha/numeric LED used to display sensor readings and the sensor’s menu-driven interface when the hand-held programming magnet is used.

1.1.1 Non-Dispersive Infrared (NDIR) Optical Sensor Technology

The sensor technology is designed as a miniature plug-in replaceable component, which can easily be changed out in the field. The NDIR sensor consists of an infrared lamp source, two pyro electric detectors, and an optical gas sample chamber. The lamp source produces infrared radiation, which interacts with the target gas as it is reflected through the optical gas sample chamber. The infrared radiation contacts each of the two pyro electric detectors at the completion of the optical path. The “active” pyro electric detector is covered by a filter specific to the part of the IR spectrum where the target gas absorbs light. The “reference” pyro electric detector is covered by a filter specific to the non-absorbing part of the IR spectrum. When the target gas is present, it absorbs IR radiation and the signal output from the active detector decreases accordingly. The reference detector output remains unchanged. The ratio of the active and reference detector outputs are then used to compute the target gas concentration.

The technique is referred to as non-selective and may be used to monitor most any combustible hydrocarbon gas. The technique for CO₂ is similar except that the sensor provides a selective response to CO₂. Unlike catalytic bead type sensors, Detcon IR sensors are completely resistant to poisoning from corrosive gases and they can operate in the absence of an oxygen background. The sensors are characteristically stable and capable of providing reliable performance for periods exceeding 5 years in most industrial environments.

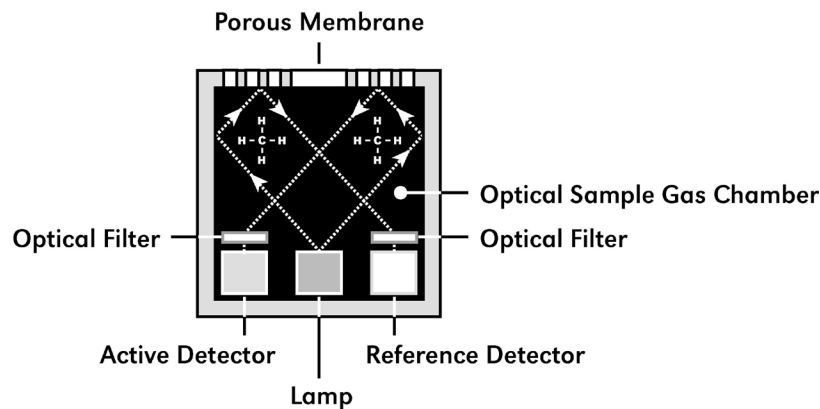


Figure 1 Sensor Cell Construction

1.1.2 Principle of Operation

The target gas diffuses through a sintered stainless steel flame arrestor and into the volume of the sample gas optical chamber. An alternating miniature lamp provides a cyclical IR radiation source, which reflects through the optical gas sample chamber and terminates at two pyro electric detectors. The active and reference pyro electric detectors each give an output which measures the intensity of the radiation contacting their surface. The active detector is covered by an optical filter specific to the part of the IR spectrum where the target gas absorbs light. The reference detector is covered by a filter specific to the non-absorbing part of the IR spectrum. When present, the target gas absorbs a fraction of the IR radiation and the signal output from the active detector decreases accordingly. The signal output of the reference detector remains unchanged in the presence of the target gas. The ratio of the active/reference signal outputs is then used to compute the target gas concentration. By using the ratio of the active/reference signal outputs, measurement drift caused by the changes in the intensity of the IR lamp source or changes in the optical path's reflectivity is prevented.

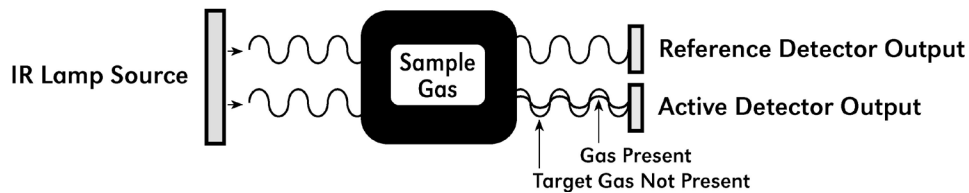


Figure 2 Principle of Operation

1.1.3 Performance Characteristics

The IR sensor maintains strong sensitivity to most all combustible hydrocarbon gases in the Lower Explosive Limit (LEL) range, as shown in the response curve illustration below. When compared with the typical catalytic bead LEL sensor, the IR sensor exhibits improved long-term zero and span stability. Typical zero calibration intervals would be quarterly to semi-annual and typical span intervals would be semi-annual to annual. However, actual field experience is always the best determination of appropriate calibration intervals.

NOTE: The IR-700 sensor will not respond to combustible gases that are not hydrocarbons, such as H_2 , NH_3 , CO , H_2S ...etc. It can only be used to measure hydrocarbon type gases.

The IR sensor generates different signal sensitivity levels for different combustible hydrocarbon target gases. Unless otherwise specified the IR-700 sensor will be factory calibrated for methane service. If the target hydrocarbon gas is other than methane, then the unit will have to be span calibrated and configured accordingly per this Instruction Manual.

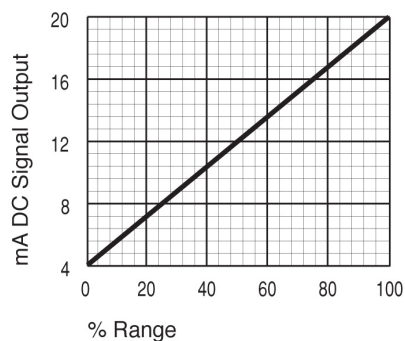


Figure 3 Response Curve

1.2 Sensor Electronics Design

1.2.1 Intelligent Transmitter Module

The Intelligent Transmitter Module (ITM) is a fully encapsulated microprocessor-based package that accepts a plug-in field replaceable combustible gas sensor and for IR-700 CO₂ sensors, a plug-in replaceable CO₂ sensor. Circuit functions include extensive I/O circuit protection, sensor pre-amplifier, on-board power supplies, microprocessor, LED display, magnetic programming switches, a linear 4-20mA DC output, and a Modbus™ RS-485 output. Magnetic program switches located on either side of the LED Display are activated via a hand-held magnetic programming tool, thus allowing non-intrusive operator interface with the ITM. Calibration can be accomplished without declassifying the area. Electrical classifications are Class I, Division 1, Groups B C D, Class I, Zone 1, Group IIB+H₂, and II 2G Ex d IIB+H₂ Gb.

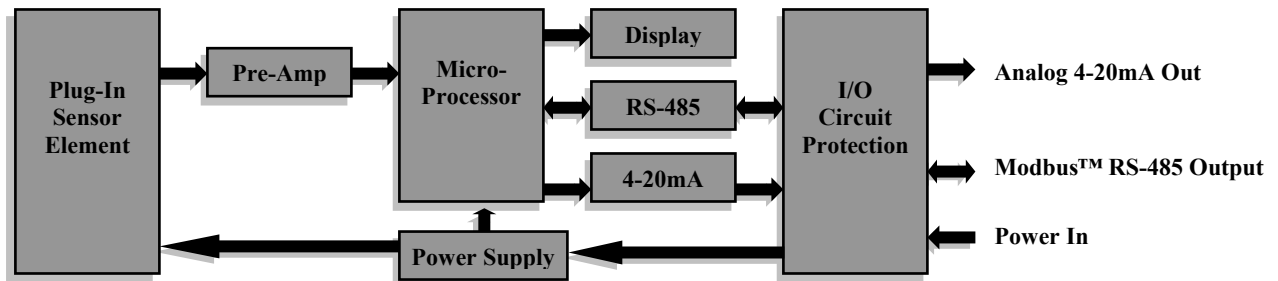


Figure 4 ITM Circuit Functional Block Diagram

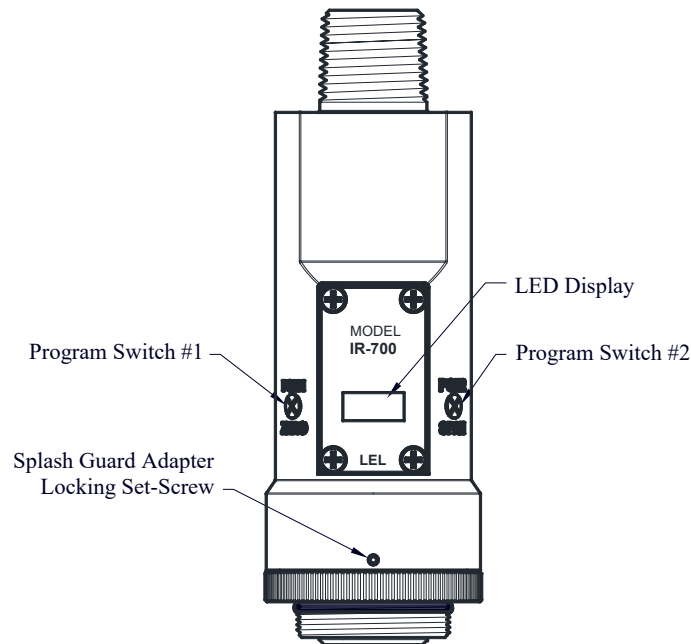


Figure 5 Sensor Assembly Front View

1.3 Modular Mechanical Design

The Model IR-700 Sensor Assembly is completely modular and made up of four parts (See Figure 6 for Assembly Breakaway):

- 1) IR-700 Intelligent Transmitter Module (ITM)
- 2) Field Replaceable Plug-in Infra-Red Gas Sensor

- 3) Model 700 Housing Bottom Assembly (contains the Housing Bottom, Flame Arrestor, Retaining Ring, and rubber O-Rings)
- 4) Splash Guard.

NOTE: All metal components are constructed from electro-polished 316 Stainless Steel in order to maximize corrosion resistance in harsh environments.

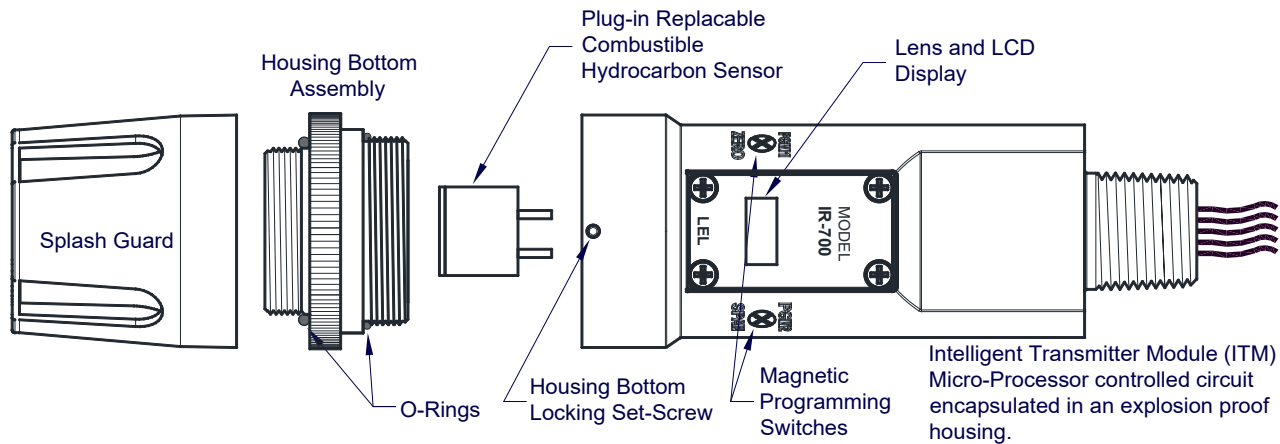


Figure 6 Sensor Assembly Breakaway

1.4 Plug-in Replaceable Sensor

The Detcon IR combustible hydrocarbon gas sensor is a unique and miniaturized single-package optical design that generates enough internal heat to prevent condensation. It is packaged as a true plug-in replaceable type sensor with over-sized gold-plated connections that eliminate corrosion problems. It can be accessed and replaced in the field very easily by releasing the locking screw and unthreading the housing bottom. The Detcon IR combustible hydrocarbon gas sensor and the CO₂ gas sensor have an infinite shelf life, and are supported by a 5-year pro-rated warranty. The expected service life is 5 years or greater.



Figure 7 IR Sensor Cell

2. Installation

2.1 Operational Guidelines for Safe Use – HazLoc Certifications

1. It is recommended for end-users to read and reference the procedures described in IEC 60079-29-2 for guidance on the proper installation, operation, and servicing of this type of combustible gas detectors.
2. Install sensor only in areas with classifications matching with those described on the ATEX approval label. Follow all warnings listed on the label.
3. Detector is performance tested to the ANSI/UL 12.13.01:2013 Performance Requirements of Detectors for Flammable Gases. Performance Testing was completed by CSA Group on March 28, 2018. This Model IR-700 detector is performance tested only for methane gas measurement in the 0-100 %LEL (0-5% by volume) range and with use of Accessory PN 613-1200000-700 Sensor Splashguard with integral Cal Port. There are no special conditions for use other than what is specified here in Section 2.1 of Instruction Manual.

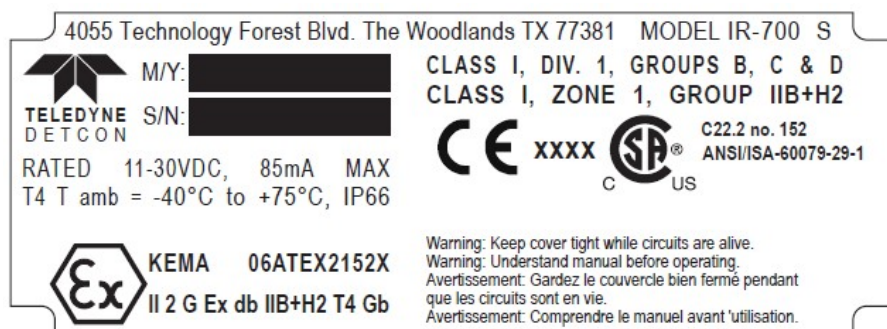


Figure 8 HazLoc Certification Approval Label

4. Ensure that the sensor is properly threaded into a suitable flameproof rated junction box with a downward pointing female 3/4" NPT threaded connection. The sensor should be threaded up at least 5 full turns until tight, with the LED display facing forward (+/-15°). Minimize use of Teflon Tape, or any type of non-conductive pipe thread coating on the NPT threaded connection.
5. A good ground connection should be verified between the sensor's metal enclosure and the junction box. If a good ground connection is not made, the sensor can be grounded to the junction box using the sensor's external ground lug. Also verify a good ground connection between the junction box and earth ground. Installer shall use ring terminal to make connection to earth ground to be secured by screw and lock washer on sensor housing.
6. Ensure that the Housing Bottom and plug-in sensor are installed during operation. The Housing Bottom should be threaded tightly to the Intelligent Transmitter Module. The locking setscrew (M3.5 x 0.6 6g6h Stainless Steel Allen set screw cup point with yield strength of greater than 40,000 PSI, typical 80,000 PSI) should then be tightened down to keep the Housing Bottom from being inadvertently removed or from becoming loose under vibration. The locking setscrew ensures that Housing Bottom is only removable by authorized personnel with the use of special tools. A M1.5 Allen Wrench is required. If screw requires replacement, only an identical screw may be used.
7. Removal of the Housing Bottom violates the Ex d protection method and hence power must be removed from the sensor prior its safe removal.

8. The screws holding down the retaining plate label are special fasteners of type Stainless Steel, Phillips Pan-head Machine screw, M3 x 0.5 6g6h having yield strength of greater than 40,000 PSI, typical 80,000 PSI. If screw requires replacement, only an identical screw may be used.
9. Proper precautions should be taken during installation and maintenance to avoid the build-up of static charge on the plastic components of the sensor. These include the splashguard and splashguard adapter.
10. Do not operate the sensor outside of the stated operating temperature limits.
11. Do not operate the sensor outside the stated operating limits for voltage supply.
12. These sensors meet EN60079-0:2012, EN60079-1:2007.

2.2 Sensor Placement

Selection of sensor location is critical to the overall safe performance of the product. Five factors play an important role in selection of sensor locations:

- (1) Density of the gas to be detected
- (2) Most probable leak sources within the industrial process
- (3) Ventilation or prevailing wind conditions
- (4) Personnel exposure.
- (5) Maintenance access.

Density

Placement of sensors relative to the density of the target gas is such that sensors for the detection of heavier than air gases should be located within 4 feet of grade as these heavy gases will tend to settle in low lying areas. For gases lighter than air, sensor placement should be 4-8 feet above grade in open areas or in pitched areas of enclosed spaces.

NOTE: Methane is lighter than air. Most other combustible hydrocarbon gases are heavier than air. Compare the molecular weight, density, or specific gravity of the target gas(es) with that of air to determine appropriate placement.

Leak Sources

The most probable leak sources within an industrial process include flanges, valves, and tubing connections of the sealed type where seals may either fail or wear. Other leak sources are best determined by facility engineers with experience in similar processes.

Ventilation

Normal ventilation or prevailing wind conditions can dictate efficient location of gas sensors in a manner where the migration of gas clouds is quickly detected.

Personnel Exposure

The undetected migration of gas clouds should not be allowed to approach concentrated personnel areas such as control rooms, maintenance or warehouse buildings. A more general and applicable thought toward selecting sensor location is combining leak source and perimeter protection in the best possible configuration.

Maintenance Access

Consideration should be given to providing easy access for maintenance personnel. Consideration should also be given to the consequences of close proximity to contaminants that may foul the sensor prematurely.

NOTE: In all installations the gas sensor should point straight down. Refer to Figure 13. Improper sensor orientation may result in false readings and permanent sensor damage.

Additional Placement Considerations

The sensor should not be positioned where it may be sprayed or coated with surface contaminating substances. Painting sensor assemblies is prohibited.

Although the sensor is designed to be RFI resistant, it should not be mounted in close proximity to high-powered radio transmitters or similar RFI generating equipment.

When possible, mount the sensor in an area void of high wind, accumulating dust, rain, or splashing from hose spray, direct steam releases, and continuous vibration. If the sensor cannot be mounted away from these conditions then make sure the Detcon Harsh Environment Splashguard accessory is used.

Do not mount in locations where temperatures will exceed the operating temperature limits of the sensor. Where direct sunlight leads to exceeding the high temperature-operating limit, use a sunshade to help reduce temperature.

2.3 Sensor Contaminants and Interference

Detcon IR-700 combustible hydrocarbon gas sensors may be adversely affected by exposure to certain airborne substances. Loss of sensitivity or corrosion may be gradual if such materials are present in sufficient concentrations.

The performance of the IR sensor may be impaired during operation in the presence of substances that can cause corrosion on gold plating. Other inhibiting substances are those that can coat the internal walls of the optical chamber and reduce reflectivity. These include but are not limited to heavy oil deposits, dust/powder, water condensation, and salt formation. Continuous and high concentrations of corrosive gases (such as Cl₂, H₂S, HCl ...etc.) may also have a detrimental long-term effect on the sensor's service life.

The presence of such substances in an area does not preclude the use of this sensor technology, although it is likely that the sensor lifetime will be shorter as a result. Use of this sensor in these environments may require more frequent calibration checks to ensure safe system performance.

For the IR-700 Combustible gas sensors there are no known cross-interference gases that are not combustible hydrocarbon gases. For the IR-700 CO₂ Sensor, there are no known cross interference gases.

2.4 Mounting Installation

The IR-700 sensor assembly is designed to be threaded into a 3/4" female NPT fitting of a standard cast metal Explosion-Proof Enclosure or Junction Box. Thread the sensor up until tight (5 turns is typically expected) and until the display is facing the direction that the sensor will normally be viewed and accessed.

The IR-700 should be vertically oriented so that the sensor points straight downward. The explosion-proof enclosure or junction box would then typically be mounted on a wall or pole. Detcon provides a standard selection of junction boxes available as sensor accessories (See Figures 9, 10, 11, and 12 below), but any appropriately rated enclosure with a downward facing 3/4" NPT female connection will suffice.

When mounting on a wall, it is recommended to use a 0.25"-0.5" spacer underneath the mounting ears of the Detcon standard J-Box to offset the sensor assembly from the wall and create open access around the sensor assembly. Spacing requirements for other junction boxes may vary.

When mounting on a pole, secure the Junction Box to a suitable mounting plate and attach the mounting plate to the pole using U-Bolts. (Pole-Mounting brackets for Detcon J-Box accessories are available separately.)

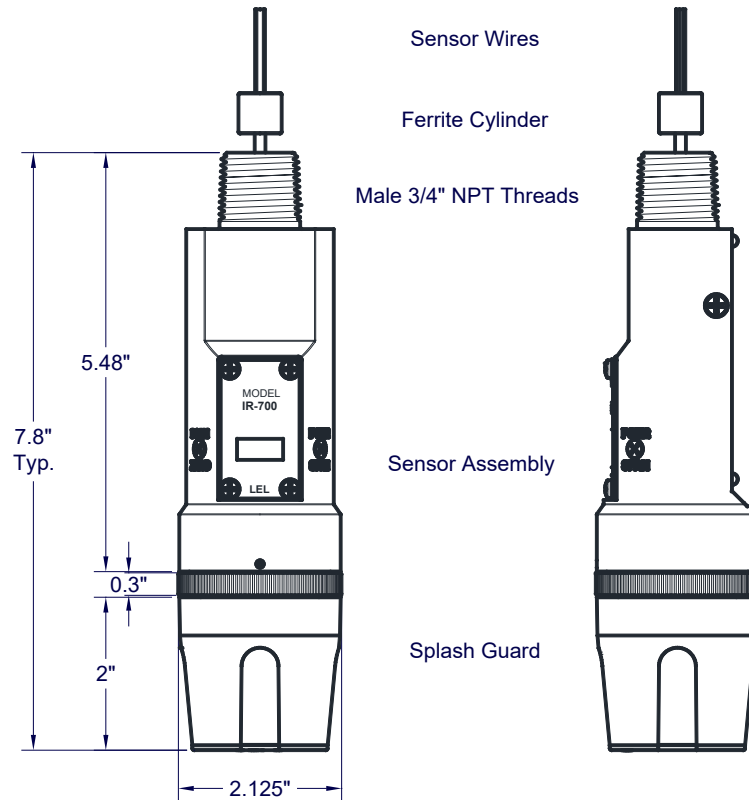


Figure 9 Outline and Mounting Dimensions (Sensor Assembly only)

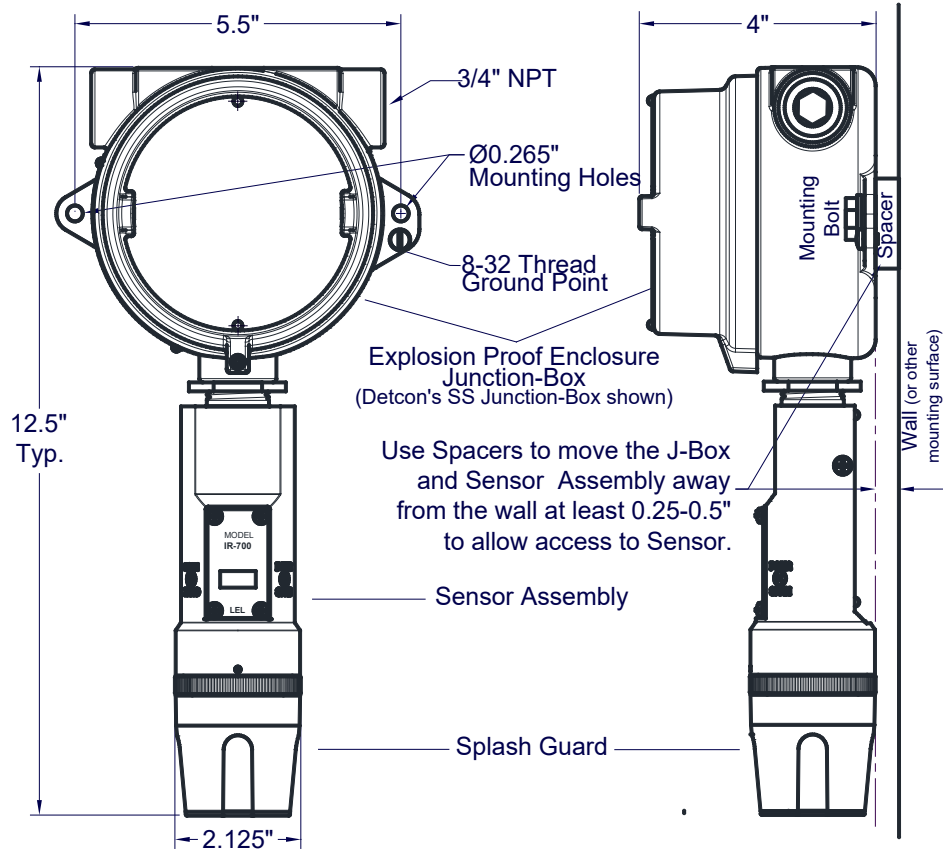


Figure 10 Outline and Mounting Dimensions (Stainless Steel Junction Box)

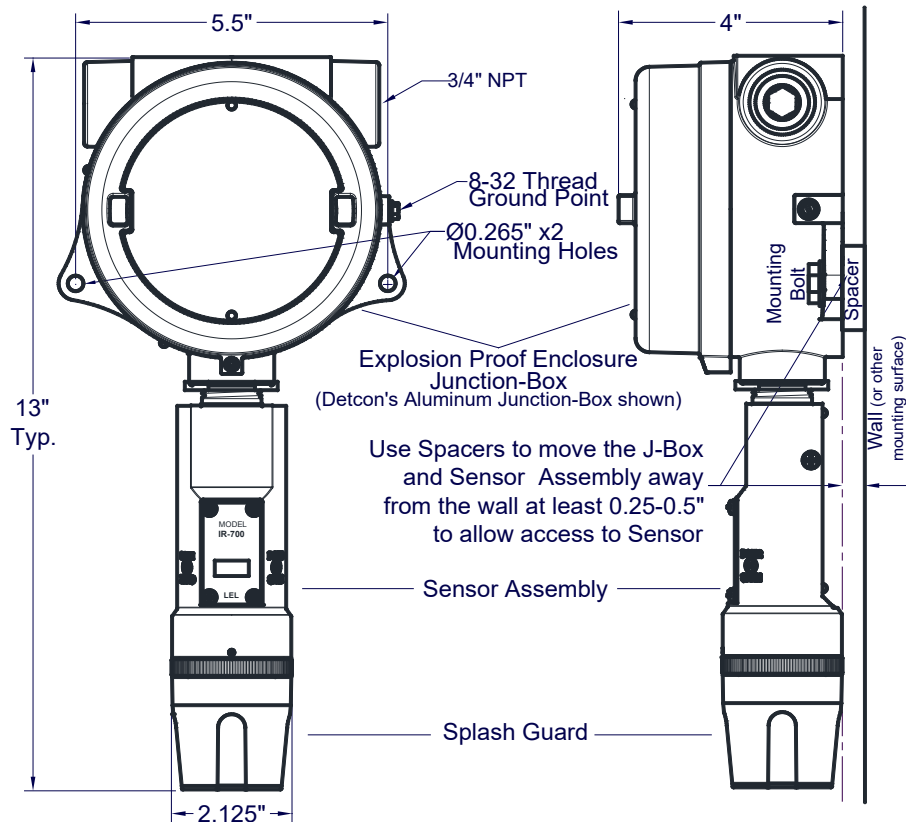


Figure 11 Outline and Mounting Dimensions (Aluminum Junction Box)

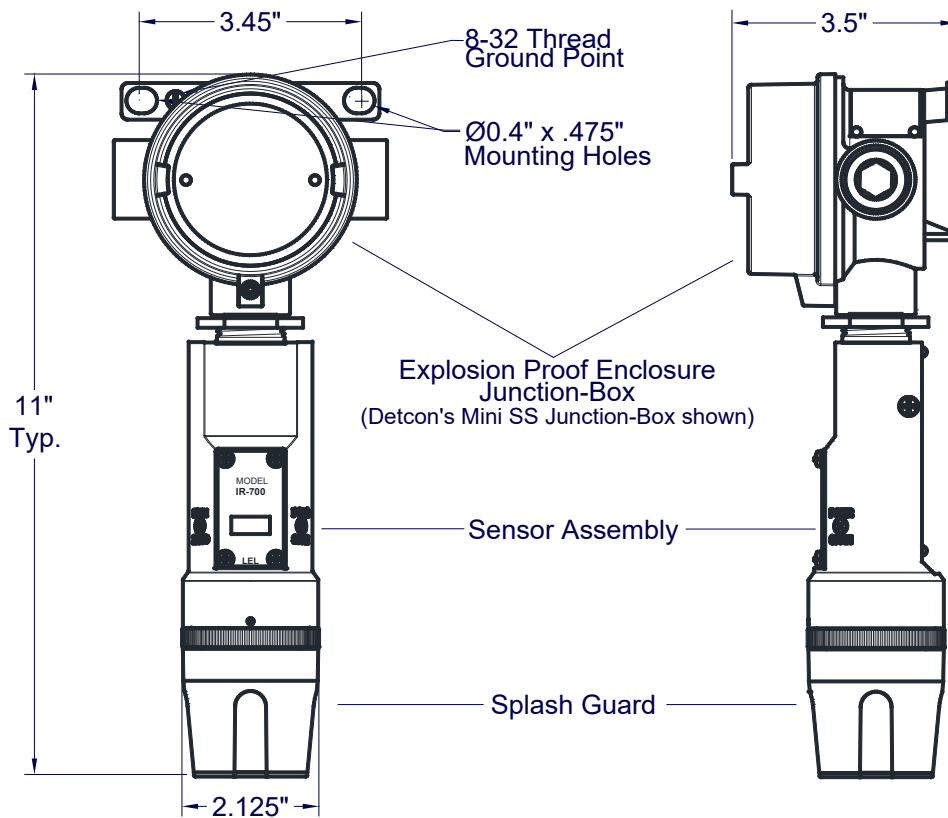


Figure 12 Outline and Mounting Dimensions (Mini Stainless Steel Junction Box)

2.5 Electrical Installation

The Sensor Assembly should be installed in accordance with local electrical codes. The sensor assemblies are CSA/NRTL approved (US and Canada) for Class I, Division 1, Groups B, C, & D area classifications, and are ATEX Approved for II 2G Ex d IIB+H₂ Gb area classifications.

Proper electrical installation of the gas sensor is critical for conformance to Electrical Codes and to avoid damage due to water leakage. Refer to Figure 13 and Figure 14 for proper electrical installation.

NOTE: If a conduit run exits the secondary port, repeat the installation technique shown in Figure 13.

In Figure 13, the drain allows H₂O condensation inside the conduit run to safely drain away from the sensor assembly. The electrical seal fitting is required to meet the National Electrical Code per NEC Article 500-3d (or Canadian Electrical Code Handbook Part 1 Section 18-154). Requirements for locations of electrical seals are covered under NEC Article 501-5. Electrical seals also act as a secondary seal to prevent water from entering the wiring terminal enclosure. However, they are not designed to provide an absolute water-tight seal, especially when used in the vertical orientation.

NOTE: For products utilizing the aluminum junction box option, the conduit seal shall be placed at the entry to the junction box (see Figure 13 as an example). For products utilizing the stainless steel junction box option, the conduit seal shall be placed within 18" of the enclosure. Crouse Hinds type EYS2, EYD2 or equivalent are suitable for this purpose.

NOTE: The Detcon Warranty does not cover water damage resulting from water leaking into the enclosure through the conduit connections. However, since the electronics are 100% epoxy encapsulated, only the wire terminations could get wet. Moisture could cause abnormal operation and possibly corrosion to the terminal connections, but permanent damage to the sensor would not be expected.

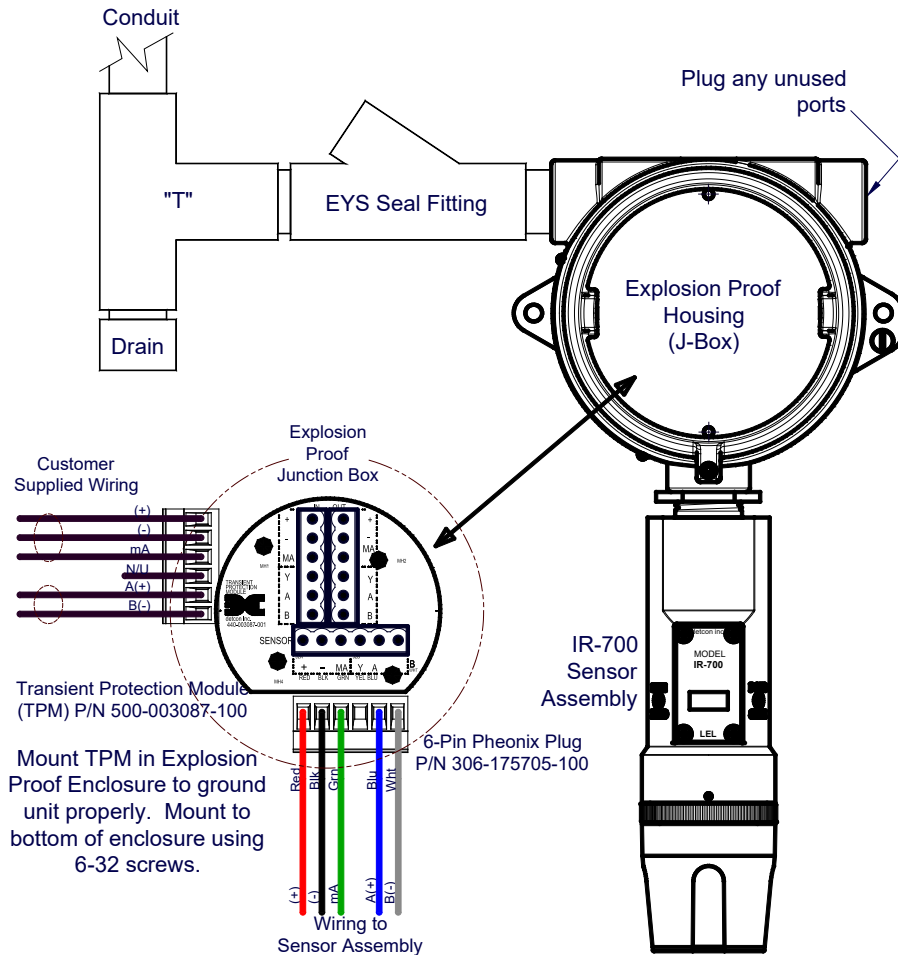


Figure 13 Typical Installation

NOTE: Any unused ports should be blocked with suitable $\frac{3}{4}$ " male NPT plugs. Detcon Supplies one $\frac{3}{4}$ " NPT male plug with their accessory J-box enclosures. If connections are other than $\frac{3}{4}$ " NPT, use an appropriate male plug of like construction material.

2.6 Field Wiring

Detcon Model IR-700 combustible hydrocarbon gas sensor assemblies require three conductor connections between power supplies and host electronic controller's 4-20mA output, and 2 conductor connections for the Modbus™ RS-485 serial interface. Wiring designations are + (DC), - (DC), mA (sensor signal), and Modbus™ RS-485 A (+), and B (-). Maximum wire size for termination in the Detcon J-Box accessory is 14AWG.

Table 1 Wire Gauge vs. Distance

AWG	Wire Dia.	Meters	Feet	Over-Current Protection
22	0.723mm	700	2080	3A
20	0.812mm	1120	3350	5A
18	1.024mm	1750	5250	7A
16	1.291mm	2800	8400	10A
14	1.628mm	4480	13,440	20A

NOTE 1: Wiring table is based on stranded tinned copper wire and is designed to serve as a reference only.

NOTE 2: Shielded cable is required for installations where cable trays or conduit runs include high voltage lines or other possible sources of induced interference. Separate conduit runs are highly recommended in these cases.

NOTE 3: The supply of power should be from an isolated source with over-current protection as stipulated in table.

Terminal Connections



CAUTION: Do not apply System power to the sensor until all wiring is properly terminated. Refer to Section 2.7 Initial Start Up



CAUTION: Do not apply power to the sensor assembly in a hazardous area unless the junction box cover is tight and all electrical seals have been installed

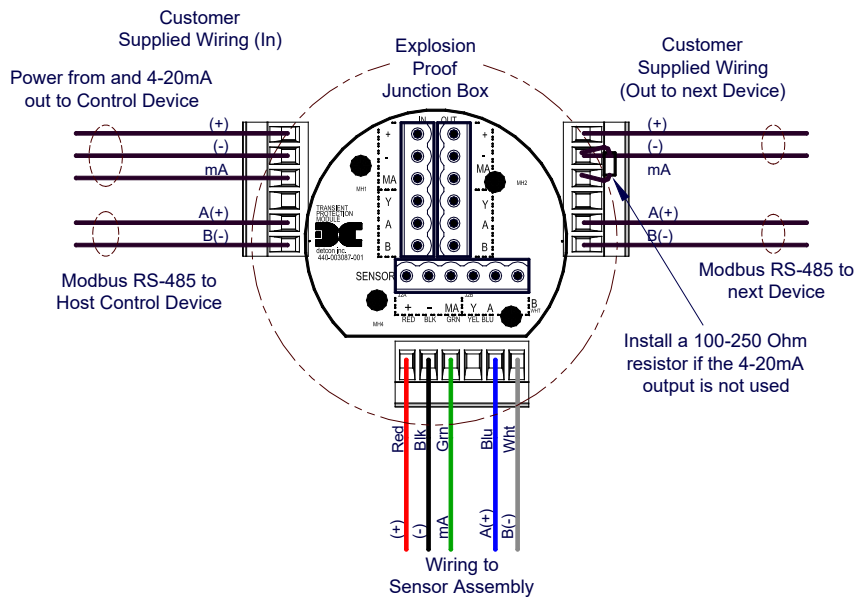


Figure 14 Sensor Wire Connections

a) Remove the junction box cover. Identify the terminal blocks for customer wire connections.

- b) Observing correct polarity, terminate the 3-conductor 4-20mA field wiring (+, -, mA) to the sensor assembly wiring in accordance with the detail shown in Figure 14. If the 4-20mA output is not used, the green wire from the sensor must be connected to the (-) terminal on the Transient Protection Module.

NOTE: If the 4-20mA output is not being used, the Green wire from the sensor *must* be connected to the Black wire at the (-) terminal on the Transient Protection Module to ensure proper sensor operation.

- c) If applicable, terminate the RS-485 serial wiring as shown in Figure 14. Use the second plug (Out) as termination point on the customer side to facilitate a continuous RS-485 serial loop. The RS-485 (if applicable) requires 24 gauge, two conductor, shielded, twisted pair cable between sensor and host controller. General Cable Commodore part number ZO16P0022189 is recommended.

NOTE: Install a 120 ohm resistor across A & B terminals on the last sensor in the serial loop.

- d) Trim all exposed wire leads if they are not permanently landed in a terminal block.
- e) Replace the junction box cover.

2.7 Initial Start Up



CAUTION: Do not apply power to the sensor assembly in a hazardous area unless the junction box cover is tight and all electrical seals have been installed

Upon completion of all mechanical mounting and termination of all field wiring, apply system power in the range of 11.5-30 VDC (24 VDC typical) and observe the following normal conditions:

- a) IR-700 display reads “0”, and no fault messages are flashing.
- b) A temporary non-zero reading may occur as the sensor reaches stabilization. The reading will converge to “0” within 1-2 minutes of power-up, assuming there is no combustible gas in the area of the sensor.

NOTE: The 4-20mA signal is held constant at 4mA for the first two minutes after power up.

Initial Operational Tests

After a warm up period of 1 hour, the sensor should be checked to verify sensitivity to combustible gas. For the IR-700 CO₂ series sensors, test the sensor with a suitable CO₂ span gas.

Material Requirements

- Detcon PN 613-120000-700 700 Series Splash Guard with integral Cal Port –OR–
- Detcon PN 943-000006-132 Threaded Calibration Adapter
- Detcon PN 942-520124-050 Span Gas; 50% LEL methane/balance Air at fixed flow rate of 200 cc/min (for 0-100% range)
- Detcon PN 942-520124-025 Span Gas; 25% LEL methane/balance Air at fixed flow rate of 200 cc/min (for 0-50% range)

- a) Attach the calibration adapter to the threaded sensor housing. Apply the test gas at a controlled flow rate of 200cc/min. Allow 1-2 minutes for the reading to stabilize. Observe that during the 1-2 minutes the ITM display increases to a level near that of the applied calibration gas value.

NOTE: Check response time by confirming that the reading comes onto scale in the first 5 seconds and reaches approximately 50% of the applied gas within 10-15 seconds and reaches approximately 90% of the applied gas in 30-40 seconds.

- b) Remove test gas and observe that the ITM display decreases to “0”.

Initial operational tests are complete. Detcon IR-700 combustible gas sensors are factory calibrated prior to shipment, and should not require significant adjustment on start up. However, it is recommended that a complete calibration test and adjustment be performed 16 to 24 hours after power-up. Refer to zero and span calibration instructions in Section 3.4.

3. Operation

3.1 Programming Magnet Operating Instructions

The Operator Interface of the Model 700 Series gas sensors is accomplished via two internal magnetic switches located to either side of the LED display (see Figure 16). The two switches, labeled “PGM1” and “PGM2”, allow for complete calibration and configuration and thereby eliminate the need for area de-classification or the use of hot permits.



Figure 15 Magnetic Programming Tool

The magnetic programming tool (Figure 15) is used to operate the magnetic switches. Switch action is defined as momentary contact, 3-second hold, and 10-second hold. (Hold times are defined as the time from the point when the arrow-prompt “➔” appears.) For momentary contact use, the programming magnet is briefly held over a switch location. For 3-second hold, the programming magnet is held in place over the switch location for three seconds. For 10-second hold, the programming magnet is held in place over the switch location for 10 seconds. The 3 and 10 second holds are generally used to enter calibration/program menus and save new data. The momentary contact is generally used to move between menu items and to modify set-point values. Arrows (“➔” and “➔”) are used on the LED display to indicate when the magnetic switches are activated. The location of “PGM1” and “PGM2” are shown in Figure 16.

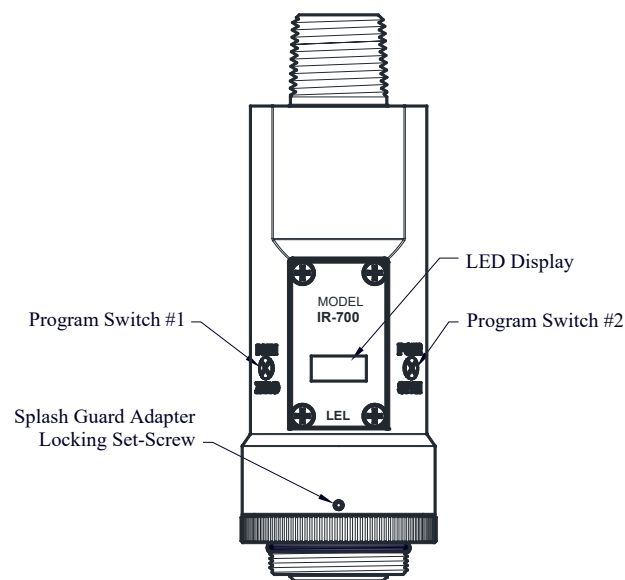


Figure 16 Magnetic Programming Switches

NOTE: While in the Program Mode, if there is no magnetic switch interaction after 4 consecutive menu scrolls, the sensor will automatically revert to normal operating condition. While changing values inside menu items, **if there is no magnet activity after 3-4 seconds the sensor will revert to the menu scroll.**

(Exception to this is with “Signal Output Check” mode.)

3.2 Operator Interface

The operating interface is menu-driven via the two magnetic program switches located under the target marks of the sensor housing. The two switches are referred to as “PGM1” and “PGM2”. The menu list consists of three major items that include sub-menus as indicated below. (Refer to the complete Software Flow Chart.)

Normal Operation

Current Reading and Fault Status

Calibration Mode

AutoZero
AutoSpan

Program Mode

View Sensor Status
 Sensor Model Type
 Current Software Version
 Gas Type
 Range of Detection
 Serial ID address
 AutoSpan Level
 Days From Last AutoSpan
 Remaining Sensor Life
 Gas Factor
 Raw Active Counts
 Raw Reference Counts
 4-20mA Output
 Input Voltage Supply
 Sensor Temperature
Set AutoSpan Level
Set Gas Type & Range
Set Gas Factor
Set Serial ID
Set Sensor Gain
Signal Output Check
Restore Default Settings

Software Flowchart

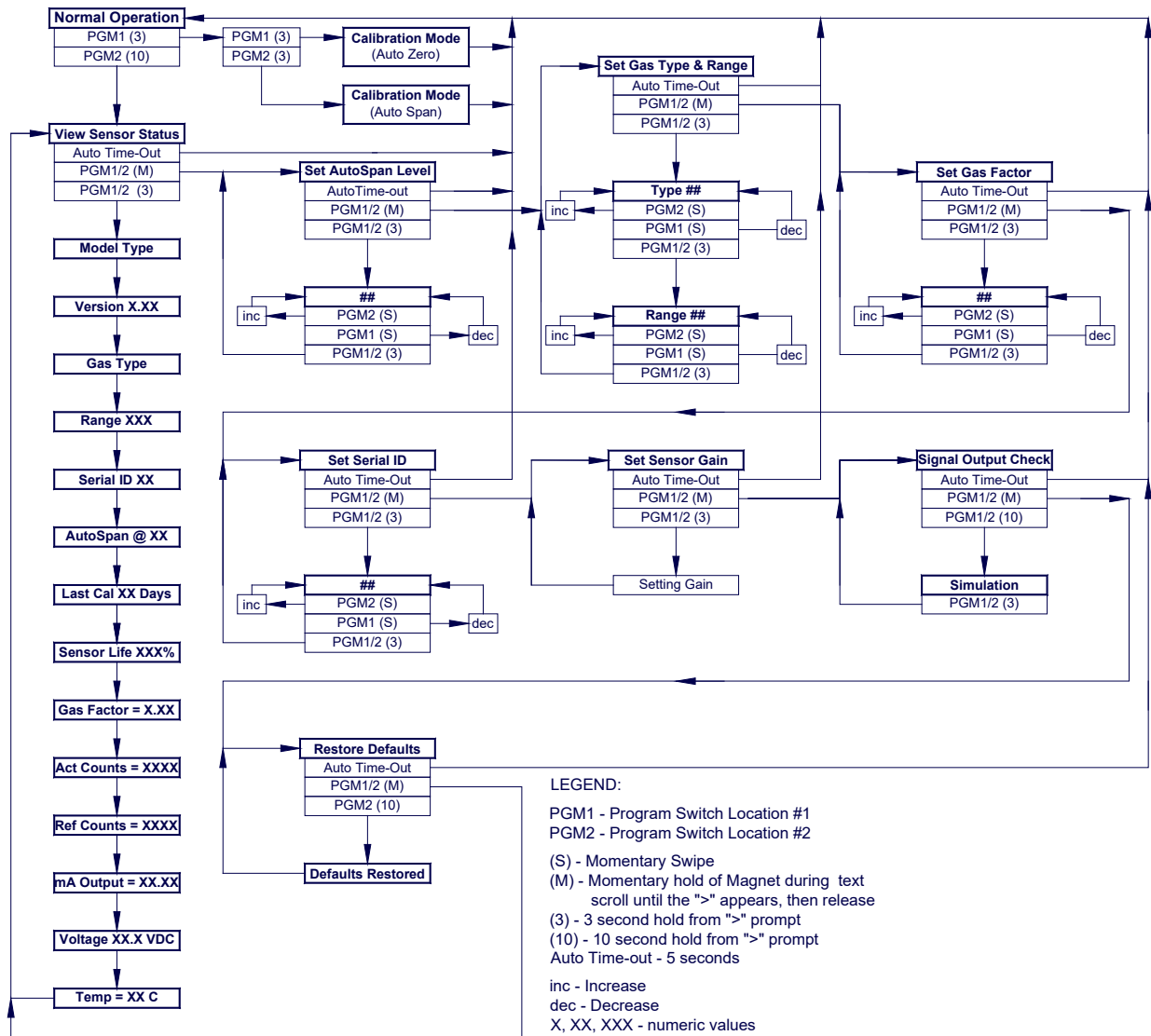


Figure 17 IR-700 Software Flowchart

3.3 Normal Operation

In normal operation, the ITM Display continuously shows the current sensor reading, which will normally appear as “0”. Once every 60 seconds the LED display will flash the sensor’s measurement units and gas type (i.e. % LEL). If the sensor is actively experiencing any diagnostic faults, a “Fault Detected” message will flash on the ITM display once every minute. When the unit is in “Fault Detected” mode, PGM1 or PGM2 can be swiped to prompt the sensor to display the list of the active faults.

In normal operation, the 4-20mA current output corresponds with the present gas concentration and full-scale range. The RS-485 Modbus™ serial output provides the current gas reading and fault status on a continuous basis when polled.



Caution: Off-scale readings may indicate a flammable concentration of gas.

3.4 Calibration Mode (AutoZero and AutoSpan)

3.4.1 AutoZero

The AutoZero function is used to set the sensor's zero baseline. Local ambient air can be used to zero calibrate the sensor as long as it can be confirmed that it contains no combustible hydrocarbon gases. If this cannot be confirmed then a zero air or pure N₂ cylinder should be used. The same AutoZero procedure applies for the CO₂ version sensor.

Material Requirements:

- Detcon PN 327-000000-000 MicroSafe™ Programming Magnet
 - Detcon PN 613-120000-700 700 Series Splash Guard with integral Cal Port and Calibration Wind Guard (P/N 943-000000-000) -OR-
 - Detcon PN 943-000006-132 Threaded Calibration Adapter
 - Detcon PN 942-001123-000 Zero Air (or N₂) cal gas, or use ambient air if no combustible gas is present.
- a) If the ambient air is known to contain no combustible hydrocarbon gas content, it can be used to calibrate zero. If a zero air or N₂ gas cal cylinder is going to be used then attach the calibration adapter and set flow rate of 200 cc/min and let sensor purge for 1-2 minutes before executing the AutoZero.
 - b) From Normal Operation, enter Calibration Mode by holding the programming magnet over PGM1 for 3 seconds. Note, the “▶” prompt will show that the magnetic switch is activated during the 3 second hold period. The display will then scroll “PGM1=Zero ...PGM2=Span”. Hold the programming magnet over PGM1 for 3 seconds once the “◀” prompt appears to execute AutoZero (or allow to timeout in 5 seconds if AutoZero is not desired).

NOTE 1: Upon entering Calibration Mode, the 4-20mA signal drops to 2mA and is held at this level until the program returns to normal operation. Modbus™ Status Register bit 14 is also set to signify when the sensor is in-calibration mode.

NOTE 2: The Calibration Wind Guard must be used when the Splashguard Adapter with integral Cal Port is used. Failure to use the Calibration Wind Guard may result in an inaccurate AutoZero calibration.

- c) The ITM will display the following sequence of text messages as it proceeds through the AutoZero sequence:

Zero Cal. . .Setting Zero. . . Zero Saved (each will scroll twice)

- d) Remove the zero gas and calibration adapter, if applicable.

3.4.2 AutoSpan

The AutoSpan function is used to span calibrate the sensor. Span adjustment is recommended at 50% of range for LEL and CO₂ sensors. Follow the same procedure for both. The gas Factor Table (Section 3.5.4 Set Gas Factor Table 2) should be used for Methane and for Heavy Hydrocarbon gas.

NOTE: Before performing AutoSpan Calibration, verify that the AutoSpan level matches the span calibration gas concentration as described in Section 3.5.2Set AutoSpan Level.

Material Requirements:

- Detcon PN 327-000000-000 MicroSafe™ Programming Magnet
- Detcon PN 613-120000-700 700 Series Splash Guard with integral Cal Port and Calibration Wind Guard (P/N 943-000000-000) -OR-
- Detcon PN 943-000006-132 Threaded Calibration Adapter
- Detcon PN 942-520124-050 50% LEL Methane in balance air (recommended for 0-100% LEL range), or
- Detcon PN 942-520124-025 25% LEL Methane in balance air (recommended for 0-50% LEL range), or other suitable span gas containing a certified level of % LEL concentration of common combustible hydrocarbon gas.

NOTE 1: If the span gas is different from the measured target gas, remember to use the appropriate Gas Factor as described in Section 3.5.4.

NOTE 2: The Calibration Wind Guard must be used when the Splashguard Adapter with integral Cal Port is used. Failure to use the Calibration Wind Guard may result in an inaccurate AutoSpan calibration.



CAUTION: Verification that the calibration gas level setting matches the calibration span gas concentration is required before executing “AutoSpan” calibration. These two numbers must be equal.

AutoSpan consists of entering Calibration Mode and following the menu-displayed instructions. The display will ask for the application of span gas in a specific concentration. This concentration must be equal to the calibration gas level setting. The factory default setting and recommendation for span gas concentration is 50% of the sensor’s range. If a span gas containing the recommended concentration is not available, other concentrations may be used as long as they fall between 5% and 95% of the sensor’s range. However, any alternate span gas concentration value must be programmed via the “Set AutoSpan Level” menu before proceeding with AutoSpan calibration. Follow the instructions “a” through “e” below for AutoSpan calibration.

- a) Verify that the AutoSpan Level is equal to the calibration span gas concentration. (Refer to View Sensor Status in Section 3.5.1.) If the AutoSpan Level is not equal to the calibration span gas concentration, adjust the AutoSpan Level as instructed in Section 3.5.2 Set AutoSpan Level.
- b) From Normal Operation, enter Calibration Mode by holding the programming magnet over PGM1 for 3 seconds. Note, the “➔” prompt will show that the magnetic switch is activated during the 3 second hold period. The display will then scroll “PGM1=Zero . . . PGM2=Span”. Hold the programming magnet over PGM2 for 3 seconds to execute AutoSpan (or allow to timeout in 5 seconds if AutoSpan is not intended). The ITM will then scroll “Apply XX %LEL Gas” (where XX is the AutoSpan Level).

NOTE: Upon entering Calibration Mode, the 4-20mA signal drops to 2mA and is held at this level until the program returns to normal operation. Modbus™ Status Register bit 14 is also set to signify when the sensor is in-calibration mode.

- c) Apply the span calibration test gas at a flow rate of 200cc/min. As the sensor signal begins to increase the display will switch to reporting a flashing “XX” reading as the ITM shows the sensor’s “as found” response to the span gas presented. If it fails to meet the minimum in-range signal change criteria within 2½ minutes, the display will report “Range Fault” twice and the ITM will return to normal operation, aborting the AutoSpan sequence. The ITM will continue to report a “Range Fault” and will not clear the fault until a successful AutoSpan is completed.

NOTE: Check response time by confirming that the reading comes onto scale in the first 5 seconds and reaches approximately 50% of the applied gas within 10-15 seconds and reaches approximately 90% of the applied gas in 30-40 seconds.

Assuming acceptable sensor signal change, after 1 minute the reading will auto-adjust to the programmed AutoSpan level. During the next 30 seconds, the AutoSpan sequence checks the sensor for acceptable reading stability. If the sensor fails the stability check, the reading is re-adjusted back to the AutoSpan level and the cycle repeats until the stability check is passed. Up to three additional 30-second stability check periods are allowed before the unit reports a “Stability Fault” twice and the ITM will return to normal operation, aborting the AutoSpan sequence. The ITM will continue to report a “Stability Fault” and will not clear the fault until a successful AutoSpan is completed.

If the sensor passes the stability check, the ITM reports a series of messages:

“AutoSpan Complete”

“Sensor Life XXX%”

“Remove Span Gas”

- d) Remove the span gas and calibration adapter. The ITM will report a live reading that alternates with “Remove Gas” message as it clears toward “0”. When the reading clears below 5 % LEL, the ITM will display “Span Complete” and will revert to normal operation. If the sensor fails to clear to less than 5 % LEL in less than 5 minutes, a “Clearing Fault” will be reported twice and the ITM will return to normal operation, aborting the AutoSpan sequence. The ITM will continue to report a “Clearing Fault” and will not clear the fault until a successful AutoSpan is completed.

NOTE 1: If the sensor fails the minimum signal change criteria, a “Range Fault” will be declared and a “Fault Detected” message will be displayed alternately with the sensor’s current reading. The 4-20 output will be taken to 0mA and the “Range Fault” fault bit will be set on the Modbus output.

NOTE 2: If the sensor fails the stability criteria, a “Stability Fault” will be declared and a “Fault Detected” message will be displayed alternately with the sensor’s current reading. The 4-20mA output will be taken to 0mA and the “Stability Fault” fault bit will be set on the Modbus output.

NOTE 3: If the sensor fails the clearing time criteria, a “Clearing Fault” will be declared and a “Fault Detected” message will be displayed alternately with the sensor’s current reading. The 4-20 output will be taken to 0mA and the “Clearing Fault” fault bit will be set on the Modbus output.

3.5 Program Mode

Program Mode provides a View Sensor Status menu to check operational and configuration parameters. Program Mode also provides for adjustment of the AutoSpan Level, Gas Factor, Gas Type and Range, and Serial ID. Additionally, it includes the Set Sensor Gain, Restore Factory Defaults, and Signal Output Check diagnostic functions.

The Program Mode menu items appear in the order presented below:

- View Sensor Status
- Set AutoSpan Level
- Set Gas Type and Range
- Set Gas Factor

Set Serial ID
Set Sensor Gain
Signal Output Check
Restore Defaults

Navigating Program Mode

From Normal Operation, enter Program Mode by holding the magnet over PGM2 for 10 seconds. Note, the “▶” prompt will show that the magnetic switch is activated during the 10 second hold period. The ITM will enter Program Mode and the display will scroll the first menu item “View Sensor Status”. To advance to the next menu item, hold the magnet over PGM1 or PGM2 while the current menu item’s text is scrolling. At the conclusion of the text scroll the “▶” prompt (“▶” for PGM2 or “◀” for PGM1) will appear, and immediately remove the magnet. The ITM will advance to the next menu item. Repeat this process until the desired menu item is displayed. Note, PGM1 moves the menu items from right to left and PGM2 moves the menu items from left to right.

To enter a menu item, hold the magnet over PGM1 or PGM2 while the menu item is scrolling. At the conclusion of the text scroll the “▶” prompt (“▶” for PGM2 or “◀” for PGM1) will appear, continue to hold the magnet over PGM1 or PGM2 for an additional 3-4 seconds to enter the selected menu item. If there is no magnet activity while the menu item text is scrolling (typically 4 repeated text scrolls), the ITM will automatically revert to Normal Operation.

3.5.1 View Sensor Status

View Sensor Status displays all current configuration and operational parameters including: sensor type, software version number, detection range, AutoSpan level, days since last AutoSpan, estimated remaining sensor life, gas factor, gas type, input voltage, 4-20 output, active counts, reference counts, and sensor ambient temperature.

From the **View Sensor Status** text scroll, hold the magnet over PGM1 or PGM2 until the “▶” prompt appears and continue to hold the magnet in place for an additional 3-4 seconds (until the display starts to scroll “Status Is”). The display will scroll the complete list of sensor status parameters sequentially:

Sensor Model Type

The menu item appears as: “Model IR-700”

Current Software Version

The menu item appears as: “Version 1.XX”

Gas Type

The menu item appears as: “Gas Type = CH4”

Range of Detection

The menu item appears as: “Range XXX”

Serial ID Address

The menu item appears as: “Serial ID XX”

AutoSpan Level.

The menu item appears as: “Auto Span Level XX”

Days From Last AutoSpan

The menu items appears as: “Last Cal XX days”

Remaining Sensor Life

The menu item appears as: “Sensor Life 100%”

Gas Factor

The menu item appears as: “Gas Factor = X.XX”

Raw Active Counts

The menu item appears as: “Active Counts XXXX”

Raw Reference Counts

The menu item appears as: “Reference Counts XXXX”

4-20mA Output

The menu item appears as: “mA Output X.XX mA”

Input Voltage Supply

The menu item appears as: “Voltage XX.X VDC”

Sensor Operating Temperature

The menu item appears as: “Temp XX C”

When the status list sequence is complete, the ITM will revert to the “View Sensor Status” text scroll. The user can either: 1) review list again by executing another 3-4 second hold, 2) move to another menu item by executing a momentary hold over PGM1 or PGM2, or 3) return to Normal Operation via automatic timeout of about 15 seconds (the display will scroll “View Sensor Status” 4 times and then return to Normal Operation).

3.5.2 Set AutoSpan Level

Set AutoSpan Level is used to set the span gas concentration level that is being used to calibrate the sensor. This level is adjustable from 5% to 95% of range (100% LEL range or CO₂) or 2% to 50% (50% LEL range). The current setting can be viewed in View Program Status.

The menu item appears as: “**Set AutoSpan Level**”.

From the **Set AutoSpan Level** text scroll, hold the magnet over PGM1 or PGM2 until the “▶” prompt appears and continue to hold the magnet in place for an additional 3-4 seconds (until the display starts to scroll “Set Level”). The display will switch to “XX“(where XX is the current gas level). Swipe the magnet momentarily over PGM2 to increase or PGM1 to decrease the AutoSpan Level until the correct level is displayed. When the correct level is achieved, hold the magnet over PGM1 or PGM2 for 3-4 seconds to accept the new value. The display will scroll “Level Saved”, and revert to “Set AutoSpan Level” text scroll.

Move to another menu item by executing a momentary hold, or return to Normal Operation via automatic timeout of about 15 seconds (the display will scroll “Set AutoSpan Level” 4 times and then return to Normal Operation).

3.5.3 Set Gas Type & Range

The IR sensor has a slightly different linearization requirement for different groupings of target gases. The four groupings are 1) Methane (CH₄) and 2) Heavier Hydrocarbons (H HC) and 3) % by volume (%VOL) and 4) CO₂. The Set Gas Type menu function is a simple choice between these four gas type groupings.

NOTE: The default value for Gas Type is methane (CH₄).

NOTE: The gas type and range on the 0-50% LEL range version cannot be changed. When entering the Set Gas Type & Range menu, the sensor will display “Range is fixed”.

The menu item appears as: “Set Gas Type”.

From the **Set Gas Type & Range** text scroll, hold the magnet over PGM1 or PGM2 until the “▶” prompt appears and continue to hold the magnet in place for an additional 3-4 seconds (until the display starts to scroll “CH₄ / H HC / %VOL / CO₂”). Swipe the magnet momentarily over PGM2 or PGM1 to change the selection until the correct choice is displayed. Hold the magnet over PGM1 or PGM2 for 3 seconds to accept the new value. The display will scroll “Type Saved”, then “Set Range” followed by the currently selected Range. Momentarily hold the magnet over PGM1 or PGM2 to change the Range Selection until the correct value is displayed. Hold the magnet over PGM1 or PGM2 for 3 seconds to accept the new value.

NOTE 1: If a gas type of CH₄, HHC, or %VOL is selected the range can only be set to 100. If CO₂ gas type is selected range selections are 0.3, 0.5, 1, 3, 5, 10, 15, 20, 25, 50, and 100.

NOTE 2: For CO₂ there are two different plug-in IR sensors. One sensor is used for the ranges of 0.3, 0.5, 1, 3, and 5. The second is used for the ranges of 10, 15, 20, 25, 50, and 100. These sensors cannot be mismatched.

Move to another menu item by executing a momentary hold, or, return to Normal Operation via automatic timeout of about 15 seconds (the display will scroll “Set Gas Type and Range” 4 times and then return to Normal Operation).

3.5.4 Set Gas Factor

Because of the IR sensor’s almost universal response to combustible hydrocarbon gases, the IR-700 sensor can be configured and calibrated to detect any of the combustible gases listed in the Table 2 and others not shown. The detected gas is referred to as the “target gas” and the span calibration gas is referred to as the “cal gas”. In cases where the cal gas is different from the target gas, the Set Gas Factor menu function is used to maintain accuracy. This feature allows for a significant degree of flexibility in the detection and span calibration process.

NOTE 1: The default value for Gas Factor is 1.0. This would be used when the target gas is the same as the cal gas. Values other than 1.0 would be used when the target gas is different from the cal gas.

NOTE 2: Table 2: Gas Factors can be used for both selections of “gas type = CH₄” and “gas type = HHC-Heavy Hydrocarbons”.

NOTE 3: The “Set Gas Factor” is not applicable for CO₂ versions and should be set to 1.0

Set Gas Factor is used to make the appropriate signal sensitivity adjustment when the target gas is different from the cal gas. This is necessary because the IR sensor has different signal strengths for each combustible hydrocarbon gas. The Gas Factor value is adjustable from 0.2 to 5.0. It represents the translation between the target gas and the cal gas when they are different.

To calculate the correct Gas Factor, refer to Table 2 and take the Gas Factor of the target gas and divide by the Gas Factor of the cal gas. The calculated value is the correct number to enter into the menu as the Gas Factor.

For example, if calibrating with methane when propane is the target gas, the correct Gas Factor to enter would be $0.63/1.0 = 0.63$.

For example, if calibrating with butane when ethane is the target gas, the correct Gas Factor to enter would be $0.38/0.72=0.53$.

Table 2 shows the Gas Factors of most combustible hydrocarbon gases that will be measured. Find the gas of interest for the cal gas and the target gas and follow the above instruction. If there is a mixture of target gases, use a weighted approach to determine the correct Gas Factor. For example, if the target gas was 50% butane and 50% pentane and the cal gas was methane, the correct Gas Factor would be calculated and entered as $((0.5 \times 0.77) + (0.5 \times 0.77)) / 1.0 = 0.77$.

Table 2 Gas Factors

Gas	Factor	Gas	Factor	Gas	Factor
Acetic Acid	2.00	Decane	1.53	Naphthalene	
Acetone	1.21	Ethyl Alcohol	0.35	n-Nonane	1.53
Benzene	1.00	Ethane	0.38	n-Octane	1.34
1,3-Butadiene	1.80	Ethyl Benzene	1.07	n-Pentane	0.77
Butane	0.77	Ethylene	2.39	Propane	0.63
Iso-Butane	0.72	n-Heptane	0.98	iso-Propyl Alcohol	0.54
Butene-1	0.67	n-Hexane	1.00	Propylene	0.80
n-Butyl Alcohol	0.63	Dimethyl Ether	0.40	Toluene	1.00
iso-Butyl Alcohol	0.63	Methane	1.00	Vinyl Acetate	1.43
Cyclohexane	0.89	Methanol	0.41	Vinyl Chloride	
Cyclopropane	0.45	Methyl Ethyl Ketone	0.77	Xylene	1.00

The menu item appears as: “**Set Gas Factor**”.

From the **Set Gas Factor** text scroll, hold the magnet over PGM1 or PGM2 until the “➔” prompt appears and continue to hold the magnet in place for an additional 3-4 seconds (until the display starts to scroll “Set Factor”). The display will then switch to “X.XX“(where X.XX is the current gas factor). Swipe the magnet momentarily over PGM2 to increase or PGM1 to decrease the gas factor level until the correct value is displayed. Hold the magnet over PGM1 or PGM2 for 3 seconds to accept the new value. The display will scroll “Factor Saved”, and revert to “Set Gas Factor” text scroll.

Move to another menu item by executing a momentary hold, or, return to Normal Operation via automatic timeout of about 15 seconds (the display will scroll “Set Gas Factor” 4 times and then return to Normal Operation).

3.5.5 Set Serial ID

Detcon Model IR-700 sensors can be polled serially via RS-485 Modbus™ RTU. Refer to Section 4.0 for details on using the Modbus output feature.

Set Serial ID is used to set the Modbus serial ID address. It is adjustable from 01 to 256 in hexadecimal format (01-FF hex). The current serial ID can be viewed in View Sensor Status using the instruction given in Section 3.5.1 View Sensor Status.

The menu item appears as: “**Set Serial ID**”.

From the “**Set Serial ID**” text scroll, hold the programming magnet over PGM1 or PGM2 until the “▶” prompt appears and continue to hold the magnet in place for an additional 3-4 seconds (until the display starts to scroll “Set ID”). The display will then switch to “XX“(where XX is the current ID address). Swipe the magnet momentarily over PGM2 to increase or PGM1 to decrease the hexadecimal number until the desired ID is displayed. Hold the magnet over PGM1 or PGM2 for 3-4 seconds to accept the new value. The display will scroll “ID Saved”, and revert to “Set Serial ID” text scroll.

Move to another menu item by executing a momentary hold, or, return to Normal Operation via automatic timeout of about 15 seconds (the display will scroll “Set Serial ID” 5 times and then return to Normal Operation).

3.5.6 Set Sensor Gain

Each Detcon IR-700 combustible hydrocarbon gas sensor requires a one-time gain setting to match the plug-in IR sensor with the ITM electronics. This is set automatically during the “Set Sensor Gain” sequence. The “Set Sensor Gain” sequence determines the required gain resistance setting for optimal operation. This technique provides for uniformity in sensor-to-sensor operational performance.

NOTE: The “Set Sensor Gain” function is executed during factory calibration of every IR-700 sensor. In the field, this menu item is only needed when a replacement plug-in IR sensor is being installed, or when mating a new IR-700 ITM with an existing plug-in sensor. It is also required if the Restore Defaults menu item is executed.

The menu item appears as: “**Set Sensor Gain**”.

From the **Set Sensor Gain** text scroll, hold the magnet over PGM1 or PGM2 until the “▶” prompt appears and then hold continuously for an additional 3 seconds. The display will scroll “Setting Gain” and then show the count-up of the gain settings for the active (Ag) and reference (Rg) detectors. The typical final values are Ag = 7-14 and Rg = 30-45 (Rg maximum should be 65). At completion, the ITM will display “Gain Complete” and revert to “Set Sensor Gain” text scroll.

The user can then choose to either: 1) move to another menu item by executing a momentary hold, or 2) return to Normal Operation via 5 second automatic timeout.

3.5.7 Signal Output Check

Signal Output Check provides a simulated 4-20mA output and RS-485 Modbus™ output. This simulation allows the user to conveniently perform a functional system check of their entire safety system. This signal output simulation also aids the user in performing troubleshooting of signal wiring problems.

The menu item appears as: “**Signal Output Check**”.

From the “Signal Output Check” text scroll, hold the magnet over PGM1 or PGM2 until the “▶” prompt appears and then hold continuously for an additional 10 seconds. Once initiated, the display will scroll “Simulation Active” until the function is stopped. During simulation mode, the 4-20mA value will be increased from 4.0mA to 20.0mA (in 1% of range increments at about a 1 second update rate) and then decreased from 20.0mA to 4.0mA. The same simulation sequence is applied to the Modbus™ output gas reading.

NOTE: Signal Output Check stays active indefinitely until the user stops the function. There is no automatic timeout for this feature.

To end simulation mode, hold magnet over PGM1 or PGM2 for 3 seconds. The display will either move to the prior menu item or move to the next menu item respectively.

Move to another menu item by executing a momentary hold, or, return to Normal Operation via automatic timeout of about 15 seconds.

3.5.8 Restore Factory Defaults

Restore Factory Defaults is used to clear current user configuration and calibration data from memory and revert to factory default values. This may be required if the settings have been configured improperly and a known reference point needs to be re-established to correct the problem.

This menu item appears as: “**Restore Defaults**”.

NOTE: “Restoring Factory Defaults” should only be used when absolutely necessary. All previously existing configurational inputs will have to be re-entered if this function is executed. A full 10-second magnet hold on PGM 2 is required to execute this function.

From the “Restore Defaults” text scroll, hold the programming magnet over PGM2 until the “▶” prompt appears and continue to hold 10 seconds. The display will scroll “Restoring Defaults”, and then will revert to the “Restore Defaults” text scroll.

Move to another menu item by executing a momentary hold, or, return to Normal Operation via automatic timeout of about 15 seconds (the display will scroll “Restore Defaults” 4 times and then return to Normal Operation).

Following the execution of “**Restore Defaults**”, the IR-700 will revert to its factory default settings. The default settings are:

- Serial ID = 01. The Serial ID must be set appropriately by the operator (Section 3.5.5).

NOTE: The following must be performed in order before the sensor can be placed in operation.

- AutoSpan Level = 50 %LEL. AutoSpan level must be set appropriately by the operator (Section 3.5.2).
- Gas Type = CH4. The Gas Type must be set appropriately by the operator (Section 3.5.3).
- Gas Factor = 1.0. The Cal Factor must be set appropriately by the operator (Section 3.5.4).
- Sensor Gain: Sensor gain settings are lost. Sensor Gain must be performed (Section 3.5.6).
- AutoZero: AutoZero Calibration Settings are lost. AutoZero must be performed (Section 3.4).
- AutoSpan: AutoSpan Calibration Settings are lost. AutoSpan must be performed (Section 3.4).

3.6 Program Features

Detcon IR-700 gas sensors incorporate a comprehensive set of diagnostic features to achieve Fail-Safe Operation. These Operational features and Failsafe Diagnostic features are detailed below.

3.6.1 Operational Features

Over-Range

When gas greater than the full-scale range is detected, the ITM display will continuously flash the full-scale reading of 100. This designates an over-range condition. The 4-20mA signal will report a 22mA output during this time.

Negative Drift

In cases where the sensor may drift negative, the display will show a negative reading between 5% and 10% of the sensors full scale range. I.E., if a 0-100ppm sensor drifts to negative 6 the display will indicate -6. In cases where the full scale range of the sensor is less than 10ppm, due to the limited space on the display, the decimal point will be displayed as an asterisk (*) to denote a negative reading. I.E., if a 0-5ppm sensor drifts to negative 0.32 the display will show 0*32.

In-Calibration Status

When the sensor is engaged in AutoZero or AutoSpan calibration, the 4-20mA output signal is taken to 2.0mA and the in-calibration Modbus™ Status Register bit 14 is set. This alerts the user that the ITM is not in an active measurement mode. This feature also allows the user to log the AutoZero and AutoSpan events via their master control system.

Sensor Life

Sensor Life is calculated after each AutoSpan calibration and is reported as an indicator of remaining service life. It is reported in the “View Sensor Status” menu and as a RS-485 Modbus register bit. Sensor Life is reported on a scale of 0-100%. When Sensor Life falls below 25%, the sensor cell should be replaced within a reasonable maintenance schedule.

Last AutoSpan Date

This reports the number of days that have elapsed since the last successful AutoSpan. This is reported in the View Sensor Status menu.

3.6.2 Fault Diagnostic/Fail-Safe Features

Fail-Safe/Fault Supervision

Model IR-700 MicroSafe™ sensors are designed for Fail-Safe operation. If any of the diagnostic faults listed below are active, the ITM Display will scroll the message “Fault Detected” every 30 seconds during normal operation. At any time while the “Fault Detected” message is active, swipe the magnet over PGM1 or PGM2 to display the active fault(s). All active faults will then be reported sequentially.

Most fault conditions result in failed operation of the sensor and in those cases the 4-20mA signal is dropped to the universal fault level of 0mA. These include Zero Fault, AutoSpan Calibration Faults, Sensor Fault, Processor Fault, Memory Fault, Loop Fault, and Input Voltage Fault. The 0mA fault level is not employed for a Temperature Fault and AutoSpan Reminder Fault. For all diagnostic faults, the associated RS-485 Modbus™ fault register will be flagged to alert the user digitally.

NOTE 1: Refer to the Troubleshooting Guide section d) for guidance on fault conditions.

NOTE 2: The 0mA fault level is not employed for a Temperature Fault and AutoSpan Reminder Fault.

Zero Fault

If the sensor drifts below -10% LEL, the “Zero Fault” will be declared. A “Zero Fault” will cause a “Fault Detected” message to scroll once a minute on the ITM display and drop the 4-20mA output to 0mA. The Modbus™ fault register bit for Zero Fault will be set and will not clear until the fault condition has been cleared. The sensor should be considered “Out-of-Service” until a successful AutoZero calibration is performed.

Range Fault – AutoSpan

If the sensor fails the minimum signal change criteria during AutoSpan sequence (Section 3.4.2) the “Range Fault” will be declared. A “Range Fault” will cause a “Fault Detected” message to scroll once a minute on the ITM display and drop the 4-20mA output to 0mA. The Modbus™ fault register bit for Range Fault will be set and will not clear until the fault condition has been cleared. The sensor should be considered “Out-of-Service” until a successful AutoSpan calibration is performed.

Stability Fault – AutoSpan

If the sensor fails the signal stability criteria during AutoSpan sequence (Section 3.4.2) the “Stability Fault” will be declared. A “Stability Fault” will cause a “Fault Detected” message to scroll once a minute on the ITM display and drop the milliamp output to 0mA. The Modbus™ fault register bit for Stability Fault will be set and will not clear until the fault condition has been cleared. The sensor should be considered as “Out-of-Service” until a successful AutoSpan calibration is performed.

Clearing Fault – AutoSpan

If the sensor fails the signal stability criteria during AutoSpan sequence (Section 3.4.2) the “Clearing Fault” will be declared. A “Clearing Fault” will cause a “Fault Detected” message to scroll once a minute on the ITM display and drop the milliamp output to 0mA. The Modbus™ fault register bit for Clearing Fault will be set and will not clear until the fault condition has been cleared. The sensor should be considered as “Out-of-Service” until a successful AutoSpan calibration is performed.

Sensor Fault

If the plug-in IR sensor, or the supporting electronics, fails to meet the required minimum or maximum working signal parameters a “Sensor Fault” will be declared. A “Sensor Fault” will cause a “Fault Detected” message to scroll once a minute on the ITM display. The Modbus™ fault register bit for Sensor Fault will be set and will not clear until the fault condition has been cleared. If a Sensor Fault occurs, the 4-20mA signal will be set at 0mA until the fault condition is resolved.

Processor Fault

If the detector has any unrecoverable run-time errors, a “Processor Fault” is declared. A “Processor Fault” will cause a “Fault Detected” message to scroll once a minute on the ITM display. The Modbus™ fault register bit for Processor Fault will be set and will not clear until the fault condition has been cleared. If a Processor Fault occurs, the 4-20mA signal will be set at 0mA until the fault condition is resolved.

Memory Fault

If the detector has a failure in saving new data to memory, a “Memory Fault” is declared. A “Memory Fault” will cause the “Fault Detected” message to scroll once a minute on the ITM display. The Modbus™ fault register bit for Memory Fault will be set and will not clear until the fault condition has been cleared. If a Memory Fault occurs, the 4-20mA signal will be set at 0mA until the fault condition is resolved.

4-20mA Loop Fault

If the sensor detects a condition where the 4-20mA output loop is not functional (high loop resistance or failed circuit function) a “4-20mA Fault” is declared. A “4-20mA Fault” will cause the “Fault Detected” message to scroll once a minute on the ITM display. The Modbus™ fault register bit for Loop Fault will be set and will not clear until the fault condition has been cleared. If a Loop Fault occurs, the 4-20mA signal will be set at 0mA until the fault condition is resolved. If the 4-20mA current loop is still out of tolerance, contact Detcon at detcon-service@teledyne.com, or contact Detcon customer service.

NOTE: If the 4-20mA output is not being used, the Green wire from the sensor *must* be connected to the Black wire at the (-) terminal on the Transient Protection Module to ensure proper sensor operation.

Input Voltage Fault

If the detector is currently receiving an input voltage that is outside of the 11.5-28 VDC range, an “Input Voltage Fault” is declared. An “Input Voltage Fault” will cause the “Fault Detected” message to scroll once a minute on the ITM display. The fault register bit for Input Voltage Fault will be set and will not clear until the fault condition has been cleared. If an Input Voltage Fault occurs, the 4-20mA signal will be set at 0mA until the fault condition is resolved.

Temperature Fault

If the detector is currently reporting an ambient temperature that is outside of the -40° to $+75^{\circ}$ range a “Temperature Fault” is declared. A “Temperature Fault” will cause the “Fault Detected” message to scroll once a minute on the ITM display. The Modbus™ fault register bit for Temperature Fault will be set and will not clear until the fault condition has been cleared. If a Temperature Fault occurs, the 4-20mA signal remains operational.

AutoSpan Reminder Fault

If 180 days has elapsed since the last successful AutoSpan, an AutoSpan Fault will be generated. An “AutoSpan Fault” will cause the “Fault Detected” message to scroll once a minute on the ITM display. The Modbus™ fault register bit for AutoSpan Reminder Fault will be set and will not clear until the fault condition has been cleared. If an AutoSpan Reminder Fault occurs, the 4-20mA signal remains operational.

4. RS-485 Modbus™ Protocol

Model DM-700 sensors feature Modbus™ compatible communications protocol and are addressable via the program mode. Other protocols are available. Contact the Detcon factory for specific protocol requirements. Communication is two wire, half duplex 485, 9600 baud, 8 data bits, 1 stop bit, no parity, with the sensor set up as a slave device. A master controller up to 4000 feet away can theoretically poll up to 256 different sensors. This number may not be realistic in harsh environments where noise and/or wiring conditions would make it impractical to place so many devices on the same pair of wires. If a multi-point system is being utilized, each sensor should be set for a different address. Typical address settings are: 01, 02, 03, 04, 05, 06, 07, 08, 09, 0A, 0B, 0C, 0D, 0E, 0F, 10, 11...etc.

Sensor RS-485 ID numbers are factory default to 01. These can be changed in the field via the Operator Interface described in Section 3.5.5 Set Serial ID.

The following section explains the details of the Modbus™ protocol that the DM-700 sensor supports.

Code 03 - Read Holding Registers is the only code supported by the transmitter. Each transmitter contains 6 holding registers which reflect its current status.

Table 3 Modbus™ Registers

FC	REG	Content Description	R/W	Content Definition		
				Value	Meaning	Range
03	40000	Device Type	R	8	700 Sensor	
03 06	40001 40001	Read Detectable Range ^{1,2} Write Detectable Range	R/W	100 10000	For 0-100 For 0-10000 ²	DM – 0 to 10000 FP – Read only TP – 20, 50, 100, 200 IR – 0 to 10000 PI – 0 to 10000
03	40002	Read Concentration ^{3,2}	R	1000	Bound by range. If > range, this value is in fault.	
03 06	40003 40003	Read AutoSpan Level ^{4,2} Write AutoSpan Level	R/W	50	Span gas at 50	DM – 1% to 95% of Range (40001) FP – 5% to 95% of Range (40001) TP – 2% to 50% of Range (40001) IR – 5% to 95% of Range (40001) PI – 1% to 95% of Range (40001)
03	40004	Read Sensor Life	R	85	For 85% sensor life	
03	40005	Read Fault Status Bits ⁵	R	0x0001 0x0002 0x0004 0x0008 0x0010 0x0020 0x0040 0x0080 0x0100 0x0200 0x0400 0x0800 0x1000 0x2000 0x4000 0x8000	Global Fault Auto Span Fault Temperature Fault 4-20mA Fault Input Voltage Fault Memory Fault Processor Fault Clearing Fault Stability Fault Range Fault Sensor Fault Zero Fault Sensor Fault 2 <reserved> In Calibration Communication Error	
03	40006	Read Model #	R	1, 2, 3, 4, 5	DM, FP, IR, TP, PID respectively	
03	40007	Read Days Since Cal	R	29	29days	
03	40008	4-20 Current Output mA x100	R	400	4.00mA	Range
03	40009	Read Input Voltage V x100	R	2400	24.00V	
03	40010	Read Temperature	R	28	28 °C	
03/ 06	40011	Special #1	R/W		Function dependent on value of 40006 (See Special Register Table 4)	

FC	REG	Content Description	R/W	Content Definition		
				Value	Meaning	Range
03/06	40012	Special #2	R/W		Function dependent on value of 40006 (See Special Register Table 4)	
03	40013	Special #3	R		Function dependent on value of 40006 (See Special Register Table 4)	
03/06	40014	Special #4	R/W		Function defendant on value of 40006 (See Special Register Table 4)	
03	40015	Calibration Status	R	0x0000 0x0001 0x0002 0x0003 0x0004	Idle Zero Calibration Started Span Calibration Started Span Set Span Calibration Unsuccessful	
06	40015	Calibration Enable	W	0x0001 0x0002 0x0008 0x0009 0x000A 0x000B	Set Zero Set Span Signal simulation mode Set FP Bridge Voltage Set TP Heater Power Set IR Gain	
03	40016	Read Text 1, first char in L	R		Two Char of Gas/Units String ⁶	
03	40017	Read Text 2	R		Two Char of Gas/Units String ⁶	
03	40018	Read Text 3	R		Two Char of Gas/Units String ⁶	
03	40019	Read Text 4	R		Two Char of Gas/Units String ⁶	
03	40020	Read Text 5, last char in H	R		Two Char of Gas/Units String ⁶	
03	40021	Text null terminator in L	R		Two Char of Gas/Units String ⁶	

¹ Integer ranges from 1 all the way to 10,000.

² Units are determined by “units” field in the “notation” string

³ Gas Reading times one (*x 1*) with units in notation string for “Low Range” = 0. Gas Reading times one (*x 10*) with units in notation string for “Low Range” = 1. Gas Reading times one (*x 100*) with units in notation string for “Low Range” = 2.

⁴ Span Gas must be less than or equal to Detectable Range and is usually about ½ of it.

⁵ Fault status bits self-reset when fault clears

⁶ Text in ASCII, in order L byte, H byte, L byte... See field descriptions of notation string.

Gas/Units String

Character #	1	2	3	4	5	6	7	8	9	10	11
Description	Units			0x20	Gas Type						0x00

Units – This field is ‘PPM’, ‘PPB’, or ‘_ _ %’ (where ‘_ _’ is a space, 0x20).

0x20 – The units filed is terminated with an ASCII space (0x20)

Gas Type – This field contains the gas type of the cell. Any ASCII string is permissible

0x00 – The notation string is terminated with an ASCII null character

Table 4 Modbus™ Special Registers

REG	DM (40006 = 1)	FP (40006 = 2)	IR (40006 = 3)	TP (40006 = 4) ¹	PI (40006 = 5)	
40011	Low Range= 0, 1, 2 0: Range >25 (0 decimal place) 1: Range 10-25 (1 decimal place) 2: Range <10 (2 decimal place)	Gas Factor (R/W) Range = 79 to 565	Gas Factor (R/W) Range = 20 to 565	Heater Power (mW) (R/W)	Low Range= 0, 1, 2 0: Range >25 1: Range 10-25 2: Range <10	
40012	0x8XXX 0x0XXX 0xX000 0xX096 0xX0C8 0xX12C	Positive Polarity Cell Negative Polarity Cell Bias = 0mV Bias = 150mV Bias = 200mV Bias = 300mV	Cal Factor (R/W) Range = 79 to 565	Active Counts	Heater Voltage (mV) 0x8XXX 0x0XXX 0xX000 0xX096 0xX0C8 0xX12C	Positive Polarity Cell Negative Polarity Cell Bias = 0mV Bias = 150mV Bias = 200mV Bias = 300mV
40013	Gain Code (integer between 0 & 15)	Bridge Current (mA)	Reference Counts	Sensor Resistance (x100 Ω)	Gain Code	
40014	Raw Counts 0-0xFFFF (0x8000 = nominal 0)	Bridge Voltage (mV) (Read only)	Range Divisor 1,10,100, or 1000	Heater Current (mA)	Raw Counts	

¹ Only possible ranges are 20, 50, 100, 200. Modbus register 40001 will contain either 20, 50, 100, or 200, range divisor is not necessary.

5. Service and Maintenance

NOTE: It is recommended for end-users to read and reference the procedures described in IEC 60079-29-2 for guidance on the proper installation, operation, and servicing of this type of combustible gas detector.

5.1 Calibration Frequency

In most applications, quarterly to biannual zero and semi-annual to annual span calibration intervals will assure reliable detection. However, industrial environments differ. Upon initial installation and commissioning, close frequency tests should be performed, weekly to monthly. Test results should be recorded and reviewed to determine a suitable calibration interval.

5.2 Visual Inspection

The Sensor should be inspected annually. Inspect for signs of corrosion, pitting, and water damage. During visual inspection, the Splash Guard should be removed and inspected to insure that it is not blocked. Examine the porous 316SS flame arrestor within the sensor's bottom housing for signs of physical blockage or severe corrosion. Also, inspect inside the Junction Box for signs of water accumulation or Terminal Block corrosion.

5.3 Condensation Prevention Packet

A moisture condensation packet should be installed in every explosion proof Junction Box. The moisture condensation prevention packet will prevent the internal volume of the J-Box from condensing and accumulating moisture due to day-night humidity changes. This packet provides a critical function and should be replaced annually. Detcon's PN is 960-202200-000.

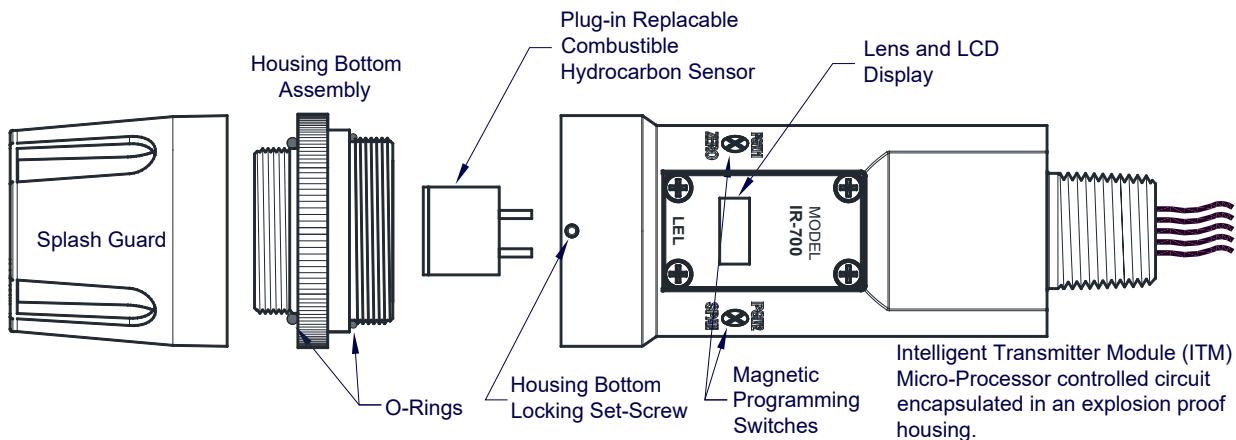


Figure 18 Sensor Assembly

5.4 Replacement of IR Plug-in Combustible Gas Sensor



Caution: A hazardous area must be declassified before opening the junction box or removing and replacing the plug in sensor

- a) Remove power to IR-700 sensor by lifting the + 24 VDC wire in J-Box.
- b) Use a M1.5 Allen wrench to release the locking setscrew that locks the ITM and bottom housing together (One turn will suffice – Do not remove setscrew completely).
- c) Remove splashguard. Unthread and remove the Bottom Housing from the ITM.
- d) Gently pull the plug-in IR combustible gas sensor out of the ITM. Orient the new plug in sensor so that it matches with the female connector pins. It may be necessary to look from below to assure alignment is correct. When properly aligned, press the sensor in firmly to make the proper connection.
- e) Thread the Bottom Housing onto the ITM to a snug fit and tighten the locking setscrew using the M1.5 Allen wrench. Reinstall the splashguard.
- f) With the new IR plug-in sensor physically installed, two functions are required to be performed:
 - 1) Perform the Set Sensor Gain function to match the new sensor with the ITM (Section 3.5.6).
 - 2) Perform a successful AutoZero and AutoSpan to match the new sensor with the ITM (Section 3.4).

5.5 Replacement of ITM



Caution: Hazardous areas must be declassified before opening the junction box or removing and replacing the ITM

- a) Disconnect all sensor wire connections at the J-Box after removing power source.
- b) Use a wrench and loosen the locking nut at the top of the ITM and unthread the ITM from the junction box.
- c) Use a M1.5 Allen wrench to release the locking setscrew that locks the ITM and bottom housing together (One turn will suffice – Do not remove setscrew completely).
- d) Remove splashguard. Unthread and remove the Bottom Housing from the ITM.
- e) Gently pull the plug-in IR combustible gas sensor out of the ITM and set it aside along with the bottom housing and splashguard. Orient the plug in sensor so that it matches with the female connector pins on the new ITM and press, the sensor in firmly to make proper connection.
- f) Thread the bottom housing onto the ITM until snug, tighten the locking setscrew and reconnect splashguard.
- g) Feed the sensor assembly wires through the $\frac{3}{4}$ " female NPT mounting hole and thread the assembly into the J-box until tight and the ITM lens faces toward the front access point. Connect the sensor assembly wires inside J-Box (Refer to Section 2.6, and Figure 14).
- h) Two functions are required to be performed on the new ITM:
 - i) Perform the Set Sensor Gain function to match the new sensor with the ITM (Section 3.5.6).
 - ii) Perform a successful AutoZero and AutoSpan to match the new sensor with the ITM (Section 3.4).

5.6 Replacement of IR-700 Sensor Assembly



Caution: Hazardous areas must be declassified before removing the junction box cover or replacing the sensor assembly

- a) Disconnect all sensor wire connections at the J-Box, after removing power source.
- b) Use a wrench and loosen the locking nut at the top of the ITM and unthread the ITM from the junction box.
- c) Feed the new IR-700 sensor assembly wires through the $\frac{3}{4}$ " female NPT mounting hole and thread the assembly into the J-box until tight and the ITM lens faces toward the front access point. Connect the sensor assembly wires inside J-Box (Refer to Section 2.6, and Figure 14).
- d) IR-700 sensors are factory calibrated. However, they will require an initial AutoZero and AutoSpan (Section 3.4). They must also be configured per customer specific application requirements.

6. Troubleshooting Guide

Refer to the list of Failsafe Diagnostic features listed in Section 3.6.2 for additional reference in troubleshooting activities. Listed below are some typical trouble conditions and their probable cause and resolution path.

Zero Fault

- Probable Cause: Sensor Zero has drifted to <-10% LEL.
- Redo AutoZero.
- Replace the plug-in IR sensor if problem persists.

Sensor Fault

Probable Causes: Plug-in sensor has failed.

- Recycle power to see if fault clears.
- Check “View Sensor Status” for a report of Active and Reference Counts (active and reference counts should be about 3000 with no gas applied).
- Perform ‘Set Sensor Gain’ and note that the typical values are $A_g = 7-14$, and $R_g = 30-45$ (R_g maximum should be 65).
- Replace the plug-in IR sensor.
- If problem persists with new plug-in sensor, replace ITM.

AutoSpan Calibration Faults – (Range, Stability, and Clearing)

- To clear any AutoSpan Calibration fault, the AutoSpan process must be completed successfully.

Range Fault

Probable Causes: Cal Gas not applied or not applied at appropriate time, Failed Sensor, Problems w/ cal gas and delivery

- Perform AutoSpan following the instructions explicitly.
- Check that cal gas value matches the AutoSpan level.
- If using Splashguard with Integral Cal Port, must use Calibration Wind Guard or air movement can compromise span gas delivery.
- Verify correct Gas Type and Gas Factor is entered.
- Check validity of span gas and flow rate (check MFG date on cal cylinder).
- Check for obstructions through stainless steel sinter element (including being wet).
- Replace the plug-in IR sensor, and/or bottom housing.

Stability Fault

Probable Causes: Failed Sensor, empty or close to empty Cal Gas Cylinder or problems with cal gas and delivery

- Perform AutoSpan following the instructions explicitly.
- Check that cal gas value matches the AutoSpan level.
- If using Splashguard with Integral Cal Port, must use Calibration Wind Guard or air movement can compromise span gas delivery.
- Verify correct Gas Type and Gas Factor is entered.
- Check validity of span gas and flow rate (check MFG date on cal cylinder).
- Check for obstructions through stainless steel sinter element (including being wet).
- Replace the plug-in IR sensor, and/or bottom housing.

Clearing Fault

Probable Causes: Failed Sensor, Cal Gas not removed at appropriate time, problems with cal gas and delivery, or Background combustible gases preventing clearing

- Perform AutoSpan following the instructions explicitly.
- Remove calibration adapter and gas connections.
- Confirm no combustible gasses in background.
- Check validity of span gas and flow rate (check MFG date on cal cylinder).
- Check for obstructions through stainless steel sinter element (including being wet).
- Replace the plug-in IR sensor, and/or bottom housing.

Poor Calibration Repeatability

Probable Causes: Failed Sensor, use of wrong Cal Gas, problems w/ cal gas and delivery, Sensor Corrosion

- Check for adequate Sensor Life.
- Increase calibration frequency to quarterly.
- Verify correct Gas Type and Gas Factor is entered.
- Check validity of span gas and flow rate (check MFG date on cal cylinder).
- Check for obstructions through stainless steel sinter element (including being wet).
- Replace the plug-in IR sensor, and/or bottom housing.

Unstable Output/ Sudden spiking

Possible Causes: Unstable power supply, inadequate grounding, or inadequate RFI protection

- Verify Power source is stable.
- Verify field wiring is properly shielded and grounded.
- Contact Detcon to optimize shielding and grounding.
- Add Detcon's RFI Protection Circuit accessory.

Nuisance Alarms

- Check conduit for accumulated water and abnormal corrosion on terminal blocks.
- If nuisance alarms are happening at night, suspect condensation in conduit.
- Add or replace Detcon's Condensation Prevention Packet P/N 960-202200-000.
- Investigate presence of other combustible hydrocarbon gases that may be causing sensor response.

Processor and/or Memory Faults

- Recycle power in attempt to clear problem
- Restore Factory Defaults – This will clear the processor's memory and may correct problem.
- Remember to re-enter all customer settings for cal gas level, set gain, Serial ID after Restore Factory Defaults.
- If problem persists, replace the Intelligent Transmitter Module.

Unreadable Display

- If due to excessive sunlight, install a sunshade to reduce glare.

Nothing Displayed – Transmitter not Responding

- Verify conduit has no accumulated water or abnormal corrosion.
- Verify required DC power is applied to correct terminals.
- Swap with a known-good ITM to determine if ITM is faulty.

Faulty 4-20mA Output

If Sensor has a normal reading with no Faults displayed, and the 4-20 mA signal output is 0mA....

- Check that wiring is properly connected at terminal blocks and through to controller inputs.
- The 4-20mA output loop must be closed to avoid a Loop Fault. If the 4-20mA output is not being used the green wire from the sensor must be connected to the (-) terminal on the Transient Protection Module to ensure that it does not create a 4-20mA Fault. (section 2.6 Field Wiring)
- Perform a “Signal Output Check” sequence via Section 3.5.7 and verify 4-20mA output with Current Meter.
- Swap with new ITM to determine if the ITM’s 4-20mA output circuit has failed.
- If the 4-20mA current loop is still out of tolerance, contact Detcon at detcon-service@teledyne.com, or contact Detcon customer service.

No Communication – RS-485 Modbus™

If unit has a normal reading with no Faults displayed and the Modbus™ is not communicating....

- Verify that the correct (and non-duplicated) serial address is entered (per Section 3.5.5).
- Check that wiring is properly connected at terminal blocks and through to controller inputs.
- Perform a “Signal Output Check” sequence via Section 3.5.7 and troubleshoot wiring.
- Swap with new ITM to determine if the ITM’s serial output circuit is faulty.

7. Customer Support and Service Policy

Detcon

Shipping Address: 4055 Technology Forest Blvd., The Woodlands Texas 77381

Mailing Address: P.O. Box 8067, The Woodlands Texas 77387-8067

Phone: 713.559.9200

- www.teledynegasandflamedetection.com
- detcon-service@teledyne.com
- detcon-sales@teledyne.com

All Technical Service and Repair activities should be handled by the Detcon Service Department via phone or email at contact information given above. RMA numbers should be obtained from the Detcon Service Department prior to equipment being returned. For on-line technical service help, customers should have the model number/ part number, and serial number of product type in question.

All Sales activities (including spare parts purchase) should be handled by the Detcon Sales Department via phone or email at contact information given above.

Warranty Notice

Teledyne Detcon Inc. warrants the Model IR-700 gas sensor to be free from defects in workmanship of material under normal use and service for two years from the date of shipment on the ITM electronics and for a 5-year period on the plug-in IR combustible gas sensor and the IR CO₂ gas sensor. See Warranty details below.

Teledyne Detcon Inc. will repair or replace without charge any such equipment found to be defective during the warranty period. Full determination of the nature of, and responsibility for, defective or damaged equipment will be made by Teledyne Detcon Inc. personnel.

Defective or damaged equipment must be shipped to the Teledyne Detcon Inc. factory or representative from which the original shipment was made. In all cases, this warranty is limited to the cost of the equipment supplied by Teledyne Detcon Inc. The customer will assume all liability for the misuse of this equipment by its employees or other contracted personnel.

All warranties are contingent upon the proper use in the application for which the product was intended and does not cover products which have been modified or repaired without Teledyne Detcon Inc. approval, or which have been subjected to neglect, accident, improper installation or application, or on which the original identification marks have been removed or altered.

Except for the express warranty stated above, Teledyne Detcon Inc. disclaims all warranties with regard to the products sold. Including all implied warranties of merchantability and fitness and the express warranties stated herein are in lieu of all obligations or liabilities on the part of Teledyne Detcon Inc. for damages including, but not limited to, consequential damages arising out of, or in connection with, the performance of the product.

8. IR-700 Sensor Warranty

Plug-in IR Combustible Gas Sensor Warranty

Teledyne Detcon Inc. warrants, under normal intended use, each new plug-in IR combustible gas sensor (**PN 370-3658CH-700 for combustible, P/N 370-865878-700 for $\leq 5\%$ CO₂, and P/N 370-287724-700 for $\geq 10\%$ CO₂.**) for a five year period under the conditions described as follows: The warranty period begins on the date of shipment to the original purchaser and ends 5 years thereafter. The sensor element is warranted to be free of defects in material and workmanship. Should any sensor fail to perform in accordance with published specifications within the warranty period, return the defective part to Detcon, Inc., 4055 Technology Forest Blvd., The Woodlands, Texas 77381, for necessary repairs or replacement.

First Two Years: no charge

3rd year: 25% of replacement charge

4th year: 50% of replacement charge

5th year: 75% of replacement charge

Non-Warranty: 100% of replacement charge

Terms & Conditions

- The original serial number must be legible on each sensor element base.
- Shipping point is FOB the Detcon factory.
- Net payment is due within 30 days of invoice.
- Detcon, Inc. reserves the right to refund the original purchase price in lieu of sensor replacement.

ITM Electronics Warranty

Teledyne Detcon Inc. warrants, under intended normal use, each new Model 700 Intelligent Transmitter Module to be free from defects in material and workmanship for a period of two years from the date of shipment to the original purchaser. All warranties and service policies are FOB the Detcon facility located in The Woodlands, Texas.

Terms & Conditions

- The original serial number must be legible on each ITM.
- Shipping point is FOB the Detcon factory.
- Net payment is due within 30 days of invoice.
- Teledyne Detcon, Inc. reserves the right to refund the original purchase price in lieu of ITM replacement.

9. Appendix

9.1 Specifications

Sensor Type:	Continuous diffusion/adsorption type NDIR Non-Dispersive Infrared Sub-miniature plug-in replaceable type
Sensor Life:	5 years typical
Measurement Range:	
Combustible	0-100% LEL, 0-50% LEL, 0-100% by volume (Combustible Gas) Testing / Specifications based on 100% LEL = 5.00 % by volume methane As referenced in ANSI/NFPA 497 Standard
CO ₂	0-0.3/0.5/0-1/0-3/0-5 (low range version) 0-10/0-15/0-20/0-25/0-50/0-100 (high range version)
Accuracy:	
Combustible	± 2% (0-50% LEL); ± 5% (51-100%) LEL
CO ₂	± 5% of Range
Repeatability (Short –Term):	± 2% of Range
Response Time:	
Combustible	*T50 < 10 seconds, T90 < 30 seconds *Test Results confirmed using CSA Response Time Flusher Test Apparatus. Results are for methane gas only. Specified response times represent FP-700 detector only and do not reflect use when combined with other Control Units.
CO ₂	T50 < 15 seconds, T90 < 40 seconds
Zero Drift (Combustible):	≤2% per 2 years
Outputs:	Linear 4-20mA RS-485 Modbus™ RTU
Electrical Classification:	Explosion proof CSA and US (NRTL) Class I, Division 1, Groups B, C, D (Tamb = -40°Cto +75°C) Class I, Zone 1, Group IIB+H2 ATEX Ex d IIB+H2 T4 Gb (Tamb = -40°Cto +75°C) EN 60079-0:2012 EN 60079-1:2007 EN 50270:2006
Ingress Protection:	NEMA 4X, IP66

NOTE: NEMA 4X, IP66 ratings have been achieved using PN 613-120000-700 Sensor Splashguard with integral Cal Port. This IP rating does not imply

that the detector will accurately detect gas after exposure to IP66 conditions and it is recommended to check/adjust calibration following IP66 exposure events.

Safety Approvals: cCSA_{us} Performance Requirements to ANSI/UL 12.13.01:2013
CE Marking
SIL2 FMEDA Rating

Warranty: Plug-in detector – 2 years pro-rated
Transmitter – 2 years

Environmental Specifications

Operating Temperature: -40°F to +167°F; -40°C to +75°C
Operating Humidity: 0-100% RH (Non-condensing)
Operating Pressure: +/- 10% of Ambient Pressure (ie. 13.2 – 16.2 psig)
Air Velocity Limits: < 6 meters/second

Storage Specifications

Storage Temperature: -40°F to +167°F; -40°C to +75°C
Storage Humidity: 0-99% RH (Non-condensing)
Storage Pressure: 10 – 16 psig
Storage Duration: For detectors and all associated parts - 10 years

Mechanical Specifications

Dimensions: Sensor Assembly Only
7.8"H x 2.125" Dia.; 198mmH x 54mm Dia.

Stainless Steel Junction Box
12.5"H x 6.1"W x 4"D; 317mmH x 155mmW x 101mmD
Mounting holes (J-box) 5.5"; 140mm center to center

Aluminum Junction Box
13"H x 6.1"W x 4"D; 330mmH x 155mmW x 101mmD
Mounting holes (J-box) 5.5"; 140mm center to center

Mini Stainless Steel Junction Box
11"H x 4.24"W x 3.5"D; 279mmH x 108mmW x 89mmD
Mounting holes (J-box) 3.5"; 89mm center to center

Weight: 2 lbs; 0.907kg (sensor only)
6 lbs; 2.72kg (w/aluminum j-box)
9 lbs; 4.08kg (w/stainless steel j-box)
5 lbs; 2.27kg (w/mini stainless steel j-box)

Electrical Specifications

Power Input:	11-30VDC
Power Consumption:	Normal operation = 68mA (<1.7 watt) Maximum = 85mA (2 watts)
Inrush current:	0.67A @ 24V
RFI/EMI Protection:	Complies with EN50270:2006
Analog Output:	Linear 4-20mA DC current (1000 ohms maximum loop load @ 24VDC) 0mA All Fault Diagnostics 2mA In-Calibration 4-20mA 0-100% full-scale 22mA Over-range condition
Serial Output:	RS-485 Modbus™ RTU
Baud Rate:	9600 BPS (9600,N, 8 ,1 Half Duplex)
Status Indicators:	4-digit LED Display with gas concentration, full-script menu prompts for AutoSpan, Set-up Options, and Fault Reporting
Faults Monitored:	Loop, Input Voltage, Zero, Sensor, Processor, Memory, Calibration
Cable Requirements:	Power/Analog: 3-wire shielded cable Maximum distance is 13,300 feet with 14 AWG Serial Output: 2-wire twisted-pair shielded cable specified for RS-485 use Maximum distance is 4,000 feet to last sensor
I/O Protection:	Over-Voltage, Miss-wiring, EMI/RFI Immunity

9.2 Spare Parts, Sensor Accessories, Calibration Equipment

Part Number	Spare Parts
S927-xx0000-xxxx ¹	IR-700 Intelligent Transmitter Module (ITM)
S967-xx0xxx-xxxx ¹	IR-700 ITM with Lower Housing, Cell, and Splash Guard
602-004216-000	IR-700 Bottom Housing Assembly (includes Flame Arrestor)
370-3658CH-700	Replacement Plug-in IR Combustible Gas Sensor
370-865878-700	Replacement Plug-in CO ₂ Sensor (Ranges ≤ 5%)
370-287724-700	Replacement Plug-in CO ₂ Sensor (Ranges ≥ 10%)
500-003087-100	Transient Protection PCA
Sensor Accessories	
897-850800-000	NEMA 7 Aluminum Enclosure less cover – 3 port
897-850400-000	NEMA 7 Aluminum Enclosure Cover (Blank)
897-850801-316	NEMA 7 316SS Enclosure less cover – 3 port
897-850401-316	NEMA 7 316SS Enclosure Cover (Blank)
613-120000-700	Sensor Splashguard with integral Cal-Port (Included for use in Performance Certificate)
613-2R0000-000	Remote Calibration Adapter (Not Included for use in Performance Certificate – Will reduce the response time of the unit particularly on Heavy Hydrocarbon gases)
943-002273-000	Harsh Environment Sensor guard (Not Included for use in Performance Certificate – Will reduce the response time of the unit particularly on Heavy Hydrocarbon gases)
327-000000-000	Programming Magnet
960-202200-000	Condensation prevention packet (for J-Box replace annually)
Calibration Accessories	
943-000000-000	Calibration Wind Guard
943-000006-132	Threaded Calibration Adapter
943-020000-000	Span Gas Kit: Includes calibration adapter, In-Line Humidifying Tube, 200 cc/min fixed-flow regulator, and carrying case. (Does not include gas).
942-520124-050	Span Gas cylinder: 50% LEL Methane balance air Contains 104 liters of gas and is good for 175 calibrations
942-520124-025	Span Gas cylinder: 25% LEL Methane balance air Contains 104 liters of gas and is good for 175 calibrations
942-400123-XXX	Span Gas Cylinder with CO ₂ balance air. (XXX denotes % by volume concentration i.e. 10% = “-010”)
943-090005-502	200 cc/min Fixed Flow Regulator for span gas bottle
Recommend Spare Parts for 2 Years	
S927-xx0000-xxxx ¹	IR-700 Intelligent Transmitter Module (ITM)
602-004216-000	IR-700 Bottom Housing Assembly (includes Flame Arrestor)
370-3658CH-700	Replacement Plug-in IR Combustible Gas Sensor
370-865878-700	Replacement Plug-in CO ₂ Sensor (Ranges ≤ 5%)
370-287724-700	Replacement Plug-in CO ₂ Sensor (Ranges ≥ 10%)
500-003087-100	Transient Protection PCA
960-202200-000	Condensation prevention packet (for J-Box replace annually)

¹ Contact Detcon Customer Service for a complete part number
IR-700 Instruction Manual

10.Revision Log

Revision	Date	Changes made	Approval
2.1	12/08/10	Changed ATEX certification line under Electrical Classification in Section 9.1 from “Eex d IIB+H ₂ T4” to “II 2 G Ex d IIB+H ₂ T4” to match ATEX approval label for IR-700. Added Revision Log Section 10.	B.M.
2.2	04/25/11	Removed Teflon note in Section 2.5.	LU
2.3	07/11/11	Added aluminum conduit wiring and dimensional drawing. Inrush current information added to specifications. Electrical connections changed from six to five wires.	LU
2.4	04/16/12	Changed cable recommendation, updated the Modbus Register Map.	LU
2.5	01/08/13	Updated ATEX approvals label, updated EN standards that sensor assembly meets. Updated ATEX listing in specifications	BM
2.6	04/02/13	Updated ATEX installation instructions regarding use of ring terminal for earth ground using screw and lock-washer. Updated guidelines for metric special fasteners used in 700 assembly	BM
2.7	04/05/13	Added 50% LEL Range	LU
2.8	10/17/13	Updated for 4-20mA errors	LU
2.9	11/20/2013	Update Field Wiring	LU
3.0	12/25/13	Update Calibration to include Wind Guard	BM
3.1	02/14/14	Update 4-20mA wiring, and specifications	BM
3.2	09/03/15	Updated accuracy spec, added repeatability spec	LU
4.0	6/16/16	Update cert specs, update technical information	MM
4.1	03/31/17	Change Ag and Rg Values, update P/N for Bottom Housing	BM
4.2	04/17/18	Updates to meet ANSI/UL 12.13.01:2013 Performance Testing	BM
4.3	06/05/18	Updated Conduit Seal in Section 2.5	MM
4.4	11/11/19	Updated Company Information	MM

This page left intentionally blank