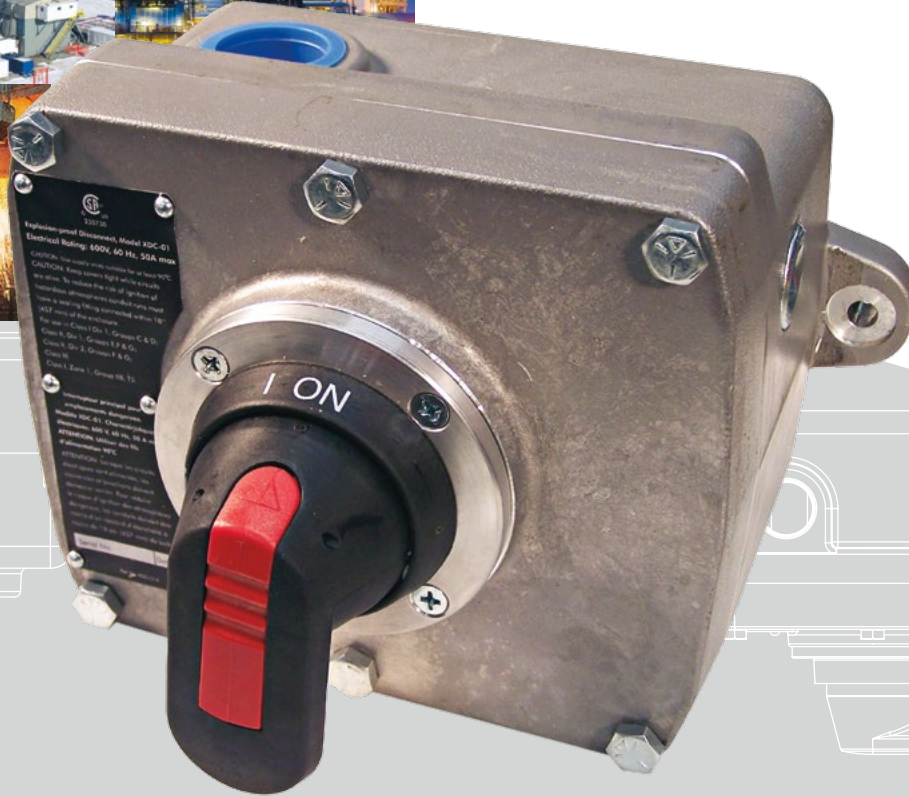




Hazloc Heaters™

Safe heat when you need it!



XDC-01

Explosion-Proof Disconnect Switch For Hazardous Locations

Class I, Divisions 1 & 2, Groups C & D
Class II, Divisions 1, Groups E, F & G
Class II, Divisions 2, Groups F & G
Class III

Class I, Zones 1 & 2, Groups IIA & IIB, T5

Electrical Rating: 600V, 50A max

www.HazlocHeaters.com

For hazardous-location load isolation or motor control switch applications rely on the **Hazloc Heaters™ XDC-01** explosion-proof disconnect switch for the most dependable, trouble-free service available.

Features & benefits include:

- 600 Volt A.C., 50 Amp max, three pole, non-fused switch for maximum versatility.
- Robust pistol handle has steel shaft within a steel bushing that can be locked in OFF position.
- Bolted, removable cover provides instant access for installation and servicing.
- Large enclosure with DIN rail mounting simplifies field wiring.
- NEMA Type 7 & 9 enclosure and cover are made of a copper-free aluminum alloy.
- Two 1" NPT & one 3/4" NPT openings for flexible field wiring (package includes one 3/4" & one 1" ex-proof close-up plugs).
- Two internal grounding lugs simplifies field wiring.
- Compact design, weighs only 13 lbs (5.9 kg).

Compliances:

- CSA_{CUS} – Certified to Canadian and U.S. standards.

Maximum Horsepower ratings:

- 208 V, 3 phase 15 HP
- 240 V, 3 phase 15 HP
- 480 V, 3 phase 30 HP
- 600 V, 3 phase 30 HP
- 120 V, 1 phase 2 HP
- 240 V, 1 phase 7.5 HP

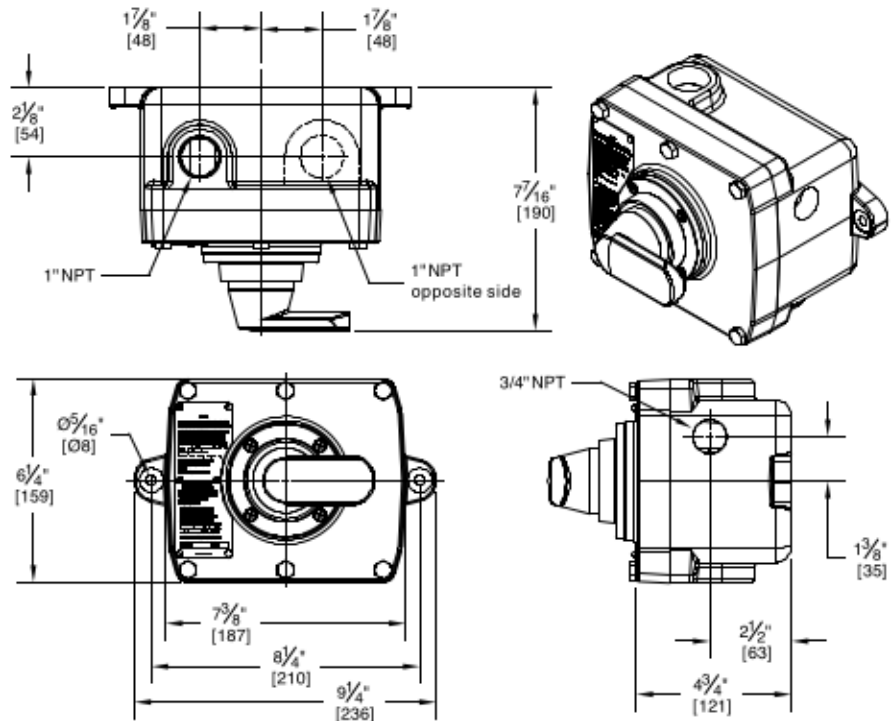
The XDC-01 disconnect switch is also available as a built-in option on all sizes of the **Hazloc Heaters™ XEU1** explosion-proof heater.



Internal view showing DIN rail mounted ABB OT63F3 non-fusible, heavy duty, disconnect switch with dual grounding lugs and actuation shaft.



External view showing pistol handle lock-out feature.



Limited 36-Month Warranty

Hazloc Heaters™ warrants all **XDC-01** series of explosion-proof disconnect switches against defects in materials and workmanship under normal conditions of use for a period of thirty-six (36) months from date of purchase based on the following terms:

1. The disconnect switch must not be modified in any way.
2. The disconnect switch must be stored, installed and used only in accordance with the owner's manual and attached data plate information.
3. Replacement parts will be provided free of charge as necessary to restore any unit to normal operating condition, provided that the defective parts be returned to us freight prepaid and that the replacement parts be accepted freight collect.
4. The complete disconnect switch may be returned to our manufacturing plant for repair or replacement (at our discretion), freight charges prepaid.
5. Contamination by dirt, dust, etc. or corrosion will not be considered as defects.
6. This warranty shall be limited to the actual equipment involved and, under no circumstances, shall include or extend to installation or removal costs, or to consequential damages or losses.



#1, 666 Goddard Ave. NE
 Calgary, Alberta T2K 5X3 Canada
 Tel.: +1-403-730-2488
 Fax: +1-403-730-2482
 Customer Toll Free (U.S. & Canada):
 +1-866-701-Heat (4328)

Available from:



#10, 1715 - 27th Ave NE
 Calgary, Alberta T2E 7E1
 Ph: 403-668-6869
 Email: sales@proteksc.com