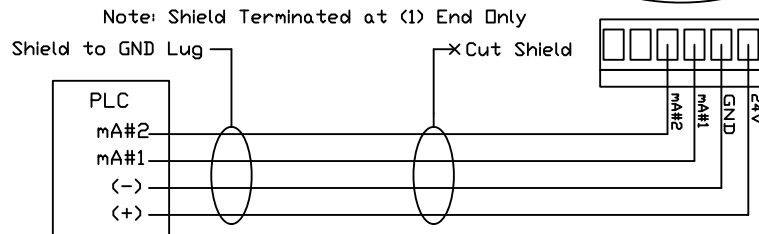
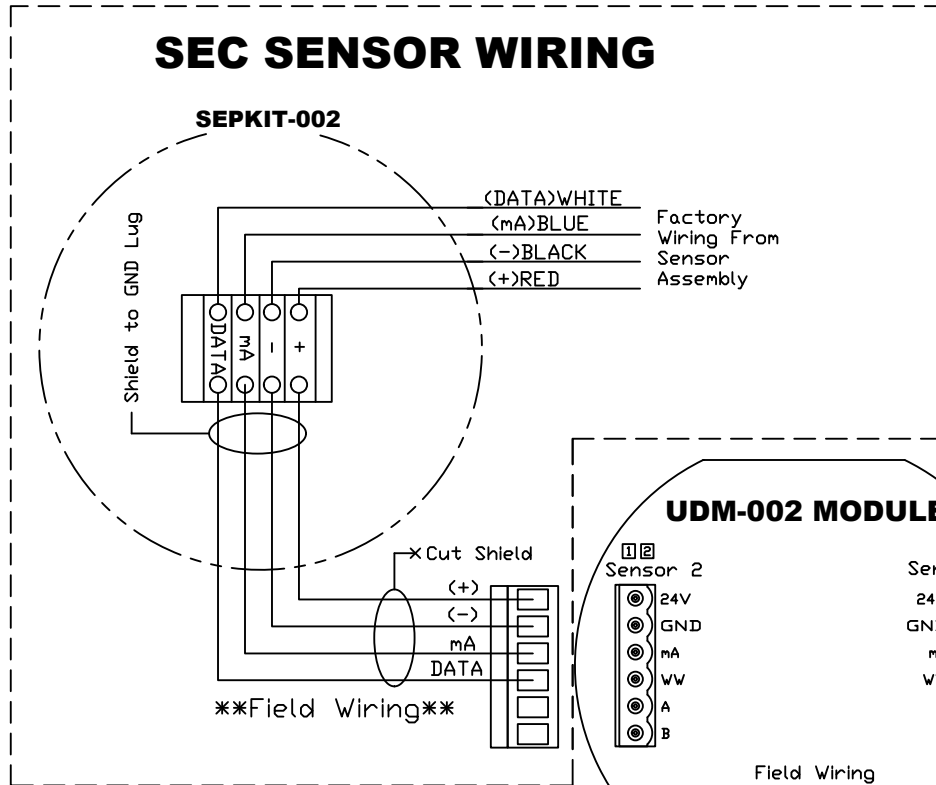


UNIVERSAL DISPLAY MODULE - SENSOR SEPARATION WIRING DIAGRAM

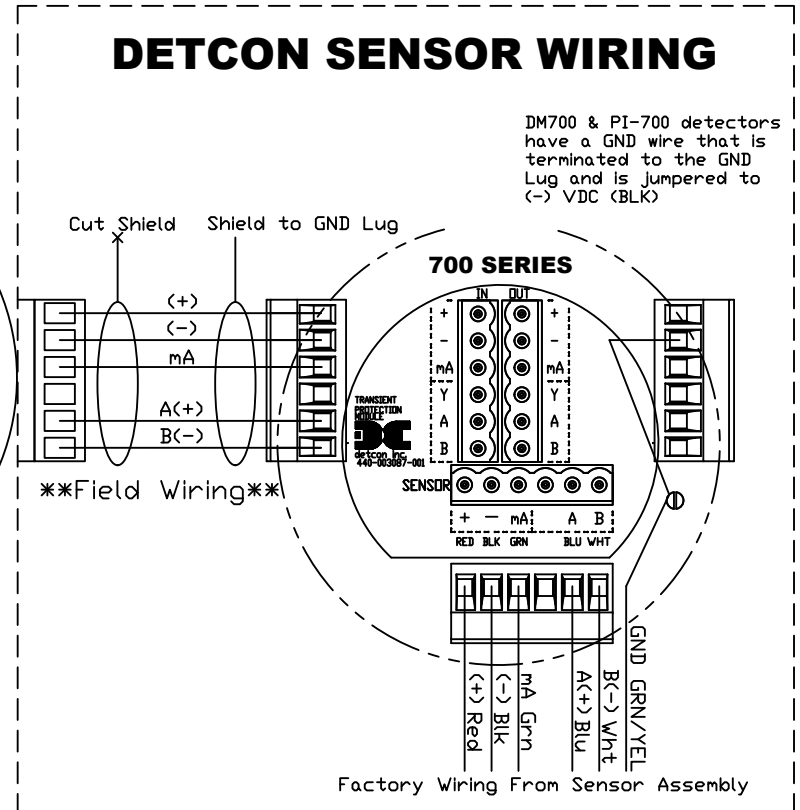
** Two Channel UDM (UDM-002) shown for illustration purposes **

SEC SENSOR WIRING



Field Wiring

DETCO SENSOR WIRING



Notes:

- All compatible detectors can be connected to either channel 1 or 2
- For UDM-001(single channel) compatible sensors can only be connected to channel 1
- Detcon sensors cannot be daisy chained through the TPB when using the UDM module

1	08/24/21	UDM				1	
Rev	DATE	DESCRIPTION	DRN	CHKD	APPD	DWG NO.	SUBJECT
REVISION HISTORY						REF. DWGS	

CLIENT:		UDM-002 Wiring Diagram (SEC & Detcon Sensors w/ Sensor Separation)	
PROJECT: UDM		SCALE NTS	DRAWING NO.
DRAWN BY: ZK	SALES ORDER NO.	DRAWING NO.	
FIRST ISSUE:		SIZE	REV 3