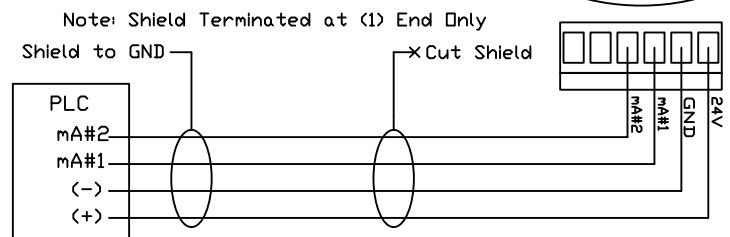
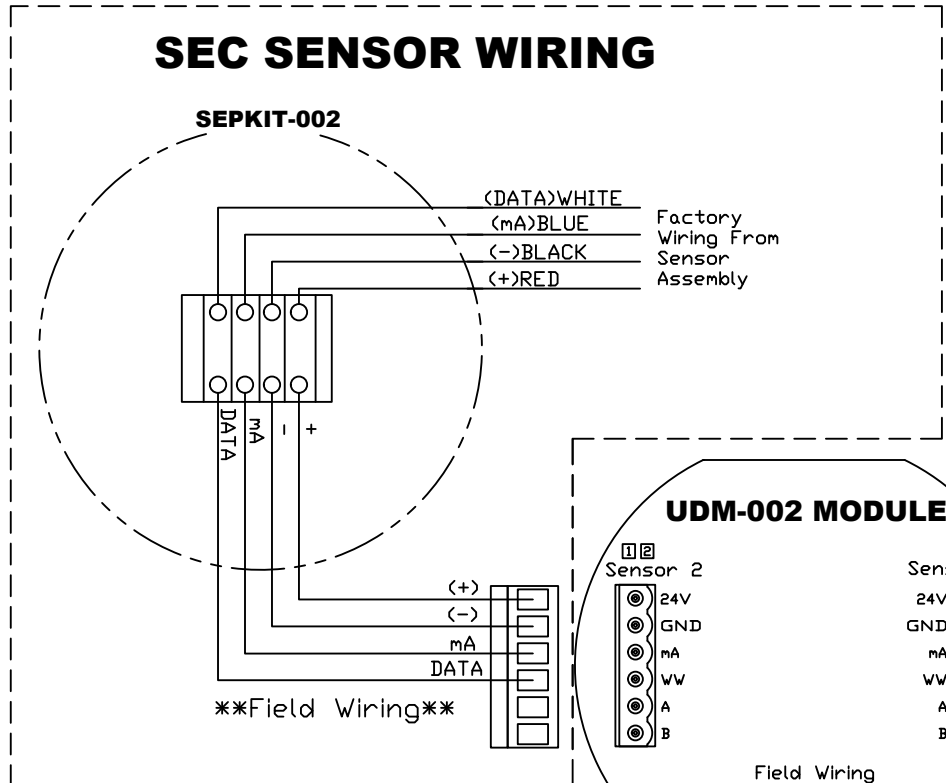
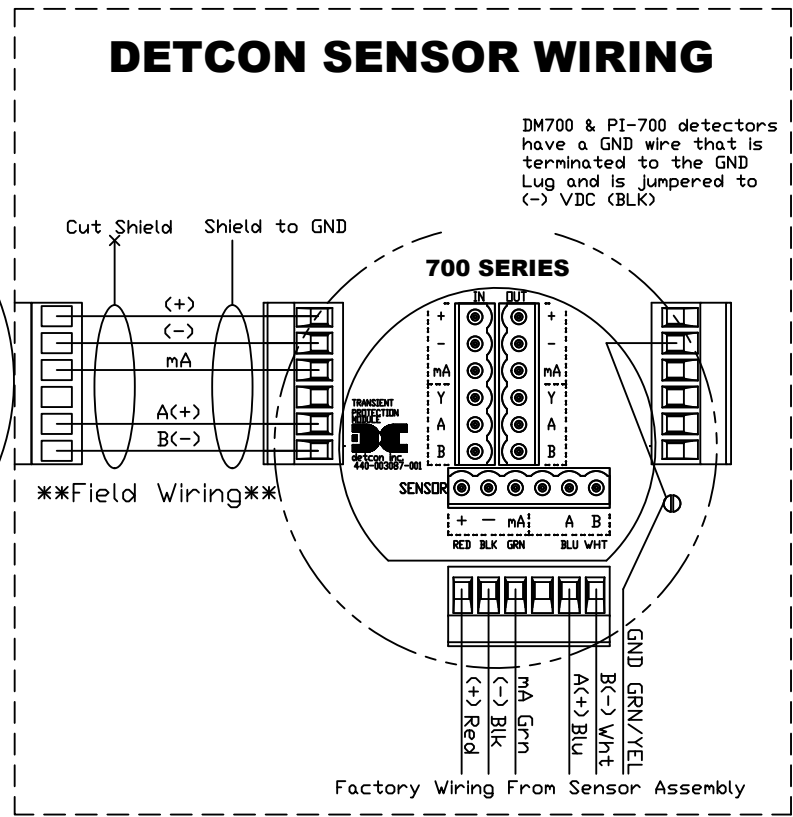


SEC SENSOR WIRING



Field Wiring

UDM-002 WIRING DETAIL W/ SENSOR SEPERATION



Notes:							CLIENT:					
1. All compatible detectors can be connected to either channel 1 or 2							UDM-002 wiring diagram for SEC and Detcon sensors w/ sensor separation					
2. For UDM-001(single channel) compatible sensors can only be connected to channel 1							PROJECT: UDM		SCALE: NTS		SALES ORDER NO.	
3. Detcon sensors cannot be daisy chained through the TPB when using the UDM module							DRAWN BY: ZK		DRAWING NO.		DRAWING NO.	
1	08/24/21	UDM				1						
Rev	DATE	DESCRIPTION	DRN	CHKD	APPD	DWG NO.	SUBJECT	FIRST ISSUE:	SIZE	REV		
REVISION HISTORY							REF. DWGS					
										2		