



Models 191XL and 191XL-CN

Hazardous Location LED Light

Models 191XL and 191XL-CN are hazardous location flashing signal lights that come standard in flashing mode and are field configurable to steady-burn mode for maximum functionality.

Federal Signal's super bright LED array used in the 191XL and 191XL-CN produces intense light output and 50,000 hours of service. Increased shock and vibration resistance add to these units' rugged industrial portfolio of features.

FEATURES

- 191XL models are available in 24VAC/DC, 120-240VAC, and 277VAC
191XL-CN models are available in 24VAC/DC and 120-240VAC
- Five lamp/lens colors: Amber, Blue, Clear, Green and Red
- Flashing mode standard, field configurable to steady-burn
- 50,000 hours, vibration-resistant LED lamp
- Dome guard included
- Available in 3/4-inch NPT pipe mount or surface mount
- Type 4X, IP66 enclosure
- IP69K compliant
- Marine Listed
- 191XL Division Listed models: UL and cUL Listed for Class I, Division 2, Groups A, B, C and D; Class II, Division 1, Groups E, F and G; Class III
191XL-CN Zone Listed models: UL and cUL Listed for Class 1, Zone 2, AEx nA IIC Gc, Zone 22 AEx tc IIIC Dc

MODEL	VOLTAGE	OPERATING CURRENT	IN-RUSH CURRENT	FLASH RATE/	MOUNT	LIGHT OUTPUT
191XL-*024**	24VAC/DC	0.40 amps	1.75 amps, 5.0 mS	60	3/4" NPT Pipe or Surface	200 cd ***
191XL-*120240**	120/240VAC	0.21/0.13 amps	2.0 amps, 0.25 mS	60	3/4" NPT Pipe or Surface	200 cd ***
191XL-277**	277VAC	0.13 amps	9.75 amps, 0.25 mS	60	3/4" NPT Pipe or Surface	200 cd ***
191XL-CN-*024**	24VAC/DC	0.40 amps	1.75 amps, 5.0 mS	60	3/4" NPT Pipe or Surface	200 cd ***
191XL-CN*120-240**	120/240VAC	0.21/0.13 amps	2.0 amps, 0.25 mS	60	3/4" NPT Pipe or Surface	200 cd ***

* Include (S) for Surface Mount Option (Example part number: 191XL-S120240R for surface mount option, 191XL-120-240R for pipe mount)

** Indicates color: (A) Amber, (B) Blue, (C) Clear, (G) Green or (R) Red

*** Tested with clear lens and flashing mode

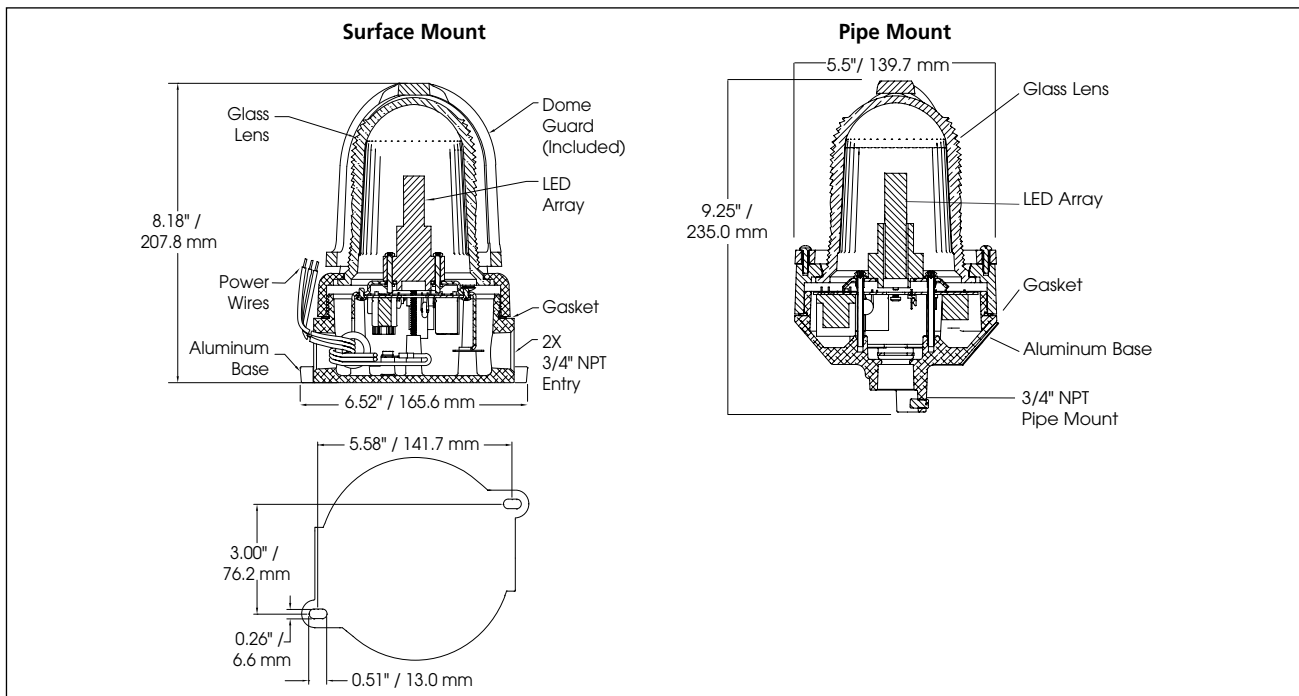
Note: When ordering the 120/240 voltage, use 120-240 for the pipe mount model and 120240 for the surface mount model

HAZARDOUS LOCATION RATING: 191XL Division Listed and 191XL-CN Zone Listed

T-CODE AT MAXIMUM AMBIENT TEMPERATURE, °C

Model	Hazardous Location	40°C			55°C			66°C		
		24 VAC/DC	100-265 VAC	277 VAC	24 VAC/DC	100-265 VAC	277 VAC	24 VAC/DC	100-265 VAC	277 VAC
191XL	Class 1, Division 2, Groups A, B, C,D	T6	T6	T5	T5	T5	T5	T4A	T4A	T5
191XL	Class II, Division 1, Groups E, F, G	T6	T6	T5	T6	T6	T5	T6	T6	T5
191XL	Class III	T6	T6	T5	T6	T6	T5	T6	T6	T5
191XL-CN	Class I, Zone 2	-	-	-	-	-	-	T4	T4	T4
191XL-CN	Class II, Zone 22	-	-	-	-	-	-	T85	T85	T85

Hazardous Location Division Listed LED Light (191XL and 191XL-CN)



SPECIFICATIONS

Lamp Life:	50,000 Hours	
Light Source:	LED	
Certification Operating Temperature:		
191XL:	-58°F to 150°F	-50°C to 66°C
191XL-CN:	-31°F to 150°F	-35°C to 66°C
Electrical Operating Temperature:		
191XL:	-67°F to 150°F	-55°C to 66 °C
191XL-CN:	-67°F to 150°F	-55°C to 66 °C
Net Weight:	4.0 lbs	1.81 kg
Shipping Weight:	4.25 lbs	1.93 kg

Pipe Mount

Height (with Dome Guard):	9.25"	235.0 mm
Diameter:	5.5"	139.7 mm

Surface Mount

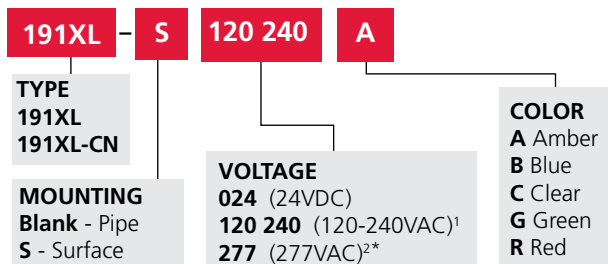
Height (with Dome Guard)	8.18"	207.8 mm
Diameter	6.52"	165.6 mm

REPLACEMENT PARTS

Description	Part Number
LED array, Amber	K14700030A-A
LED array, Blue	K14700030A-B
LED array, Clear	K14700030A-W
LED array, Green	K14700030A-G
LED array, Red	K14700030A-R
PC Board Assembly, 24VDC	K2005455A
PC Board Assembly, 120/240VAC	K2005416A
PC Board Assembly, 277VAC	K2005416A-01
Glass Lens/Ring Assembly, Amber ¹	K8449078C-01
Glass Lens/Ring Assembly, Blue ¹	K8449078C-06
Glass Lens/Ring Assembly, Clear ¹	K8449078C-04
Glass Lens/Ring Assembly, Green ¹	K8449078C-07
Glass Lens/Ring Assembly, Red ¹	K8449078C
Guard, Dome	K8449090C

¹Assembly includes a gasket

HOW TO ORDER



OPTIONAL ACCESSORIES

Description	Part Number
Hazardous Location Mounting Bracket	LHWB

¹ When ordering the 120/240 voltage, use 120-240 for the pipe mount model and 120240 for the surface mount model

² 277VAC versions are available in pipe mount only

* Only available for 191XL models