

...Dialight



Obstruction LED Solutions

High, Medium & Low Intensity Systems

FEBRUARY 2021



DIALIGHT IS THE INNOVATION AND MARKET LEADER IN LED OBSTRUCTION SOLUTIONS FOR MORE THAN 20 YEARS

SAFE

Dialight LED systems have Infrared (IR) LEDs for visibility by pilots utilizing Night Vision Goggles (NVGs) or Night Vision Imaging Systems (NVIS).



DIFFERENTIATED

Dialight offers the industry's most comprehensive, energy-efficient and reliable line of LED-based obstruction solution systems in the world. Our precision patented optics ensure maximum safety with minimal ground scatter for community-friendly illumination.



CONVENIENT

Dialight systems offer a small, light-weight flash head for ease of installation, while our low-maintenance fixtures virtually eliminate tower climbs and unplanned site visits for years, dramatically reducing maintenance costs and non-compliance risk.



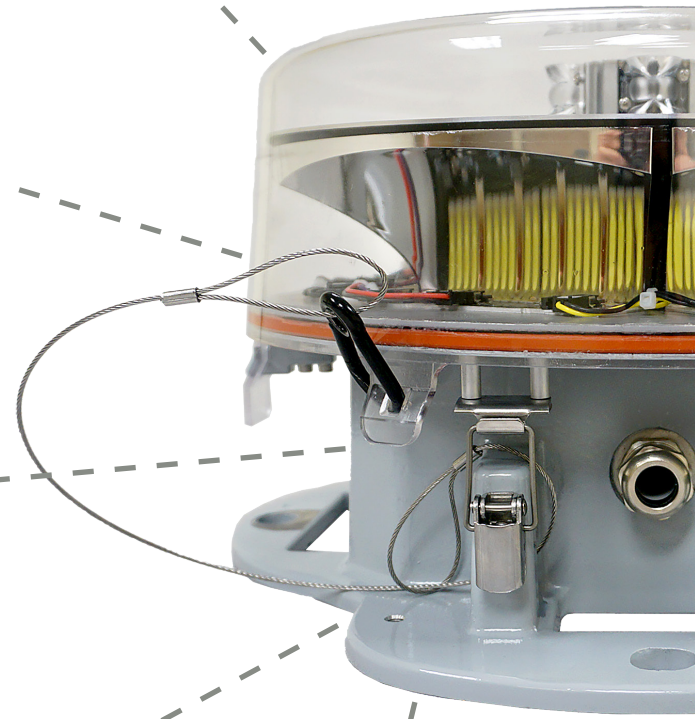
INTELLIGENT

Dialight controlled LED Obstruction solutions can be seamlessly integrated into existing operation and control centers while providing additional valuable information, both locally and remotely.



TRUSTED

Every Dialight LED Obstruction system is fully certified and compliant with FAA, TC, ICAO, and international standards, for dependability and performance you can trust.



FEATURES & BENEFITS

- Compliant to FAA Infrared (IR) standards AC 150/5345-43J and EB 98
- 5 year warranty
- Resistant to shock and vibration
- High impact polycarbonate lens with UV, scratch and chemical resistant coating
- Reduction in tower climbs for lower maintenance costs/unplanned site visits
- Community friendly lighting system utilizing patented optics

Dialight's LED Technology Innovations Over the Years

First ever FAA certified LED obstruction lights with IR

Vigilant® LED Based L-864/L-856 High Intensity System



2011

Current

Vigilant® LED Based L-810 Red



1999

Current

Vigilant® LED Based L-864 Red Beacon



2001

Current

Vigilant® LED Based L-864/L-865 Flashing Dual (Red/White) System



2007

Current

Dialight Timeline

First IR enabled LED product launched in 2011, nearly 10 years before FAA regulation

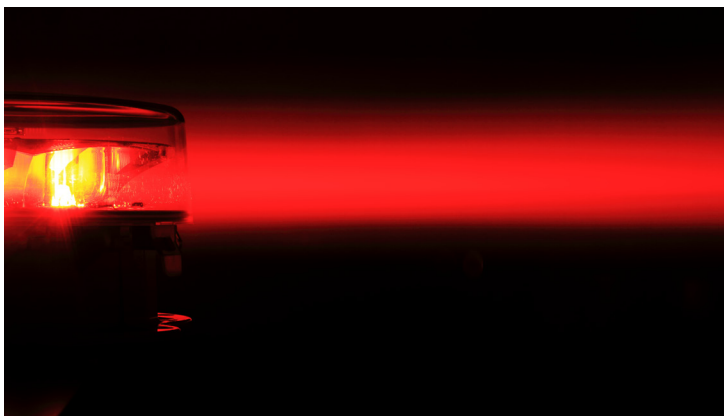
| 1999 | 2001 | 2007 | 2011 | 2012 | 2013 | 2015 | 2020 |
|--------|--------|---------------|------------------------------|---------------|--------------------|---------------------------|-------------------|
| • L810 | • L864 | • L864 / L865 | • L856 • added IR to L810 | • L864 / L856 | • added IR to L864 | • added IR to L864 / L865 | • FAA requires IR |

Table of Contents

- High Intensity Products**
 - Vigilant® D366 LED with IR High Intensity System L-864/L-856 4-5

- Medium Intensity Products**
 - Vigilant® D1CW LED with IR Medium Intensity System L-864/L-865 6-8
 - Vigilant® D6C LED with IR Medium Intensity L-864 9-10

- Low Intensity Products**
 - Vigilant® RTO LED with IR Low Intensity L-810 11
 - Vigilant® RTO LED Low Intensity L-810 12
 - Vigilant® 860 LED Based Low Intensity L-810 13



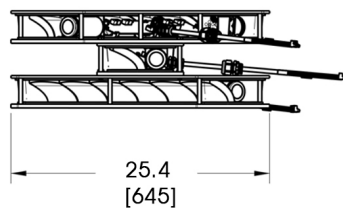
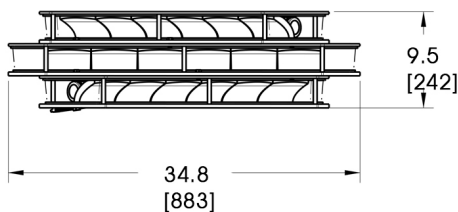
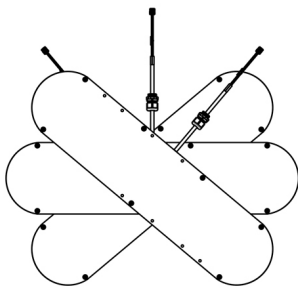
Patented Optics

Minimum ground scatter for a “community-friendly” lighting system

Dialight (LSE: DIA.L) is leading the energy efficient LED lighting revolution around the world for industrial and hazardous areas as well as for transportation and infrastructure applications. For 40 years we have been committed to the development of LED lighting solutions that enable organizations to vastly reduce energy use and maintenance needs, improve safety, ease disposal and reduce CO2 emissions.

Vigilant® LED High Intensity System L-864 / L-856

High Intensity (Red / White) System with Infrared (IR)



Dimensions in inches [mm]

Certifications & Compliance

- FAA AC 150/5345 - 43J
- FAA EB No. 67D and 98
- IP66
- Transport Canada Standard 621
- ICAO Annex 14
- NEMA 4X

Features & Benefits

- 5 year warranty
- ETL verified to FAA standards
- IR wavelength at 850 nm
- Superior surge and lightning protection
- Controller can be mounted at the base of the structure
- IP66/NEMA 4X outdoor rated enclosures
- Low power consumption
- IP66 rated light fixtures
- Impact and vibration resistant
- Provision for padlock on the enclosure
- Patented optics for minimal down light/ground scatter
- Dry contacts for alarm monitoring/status
 - › Photocell alarm
 - › Sync alarm
 - › White mode alarm
 - › Red mode alarm
 - › Communication
 - › Operation mode (day/night)
 - › Power fail

Technical Information:

| | |
|--|--|
| Flash head weight: | 63 lbs (30 kg) |
| Operating voltage: | 208–277 VAC 50/60 Hz |
| Effective intensity: | White Day - 270,000 cd White Twilight - 20,000 cd White Night - 2,000 cd Red - 2,000 cd IR - 246 mW/sr |
| Wattage: | White Day - 220 W White Twilight - 40 W White Night - 30 W Red/IR - 33 W |
| Power factor: | > 0.9 |
| Ambient temperature: | -40 °F to +131 °F (-40 °C to +55 °C) |
| Synchronization: | Multiple unit sync from single controller |
| All values typical unless otherwise stated (tolerance ± 10%) | |

US Patents: #7,281,821 | #9,423,086 | #9,581,309 (other patents pending)

| Part Number | Description | Voltage | Certification/Compliance |
|-----------------|--|-------------|--------------------------|
| D366-A57-270 | Flash head (120°) and power supply | 208–277 VAC | FAA / TC, ICAO |
| D366-A57-CTRAC | Base controller w/ display | 208–277 VAC | FAA / TC, ICAO |
| D366-A57-CTRACN | Base controller w/ display and integrated INEM | 208–277 VAC | FAA / TC, ICAO |
| D256-6000-PEC | Day/Twilight/Night photocell w/ enclosure and 3/4 inch conduit entry | — | FAA / TC, ICAO |
| D1CW-KIT-AOL | Aviation obstruction light (AOL) & power supply kit for FAA, Types C & F | 208–277 VAC | FAA / TC, ICAO |

Intertek verified FAA compliant system number D366A57SYS
Compliant to TC/ICAO

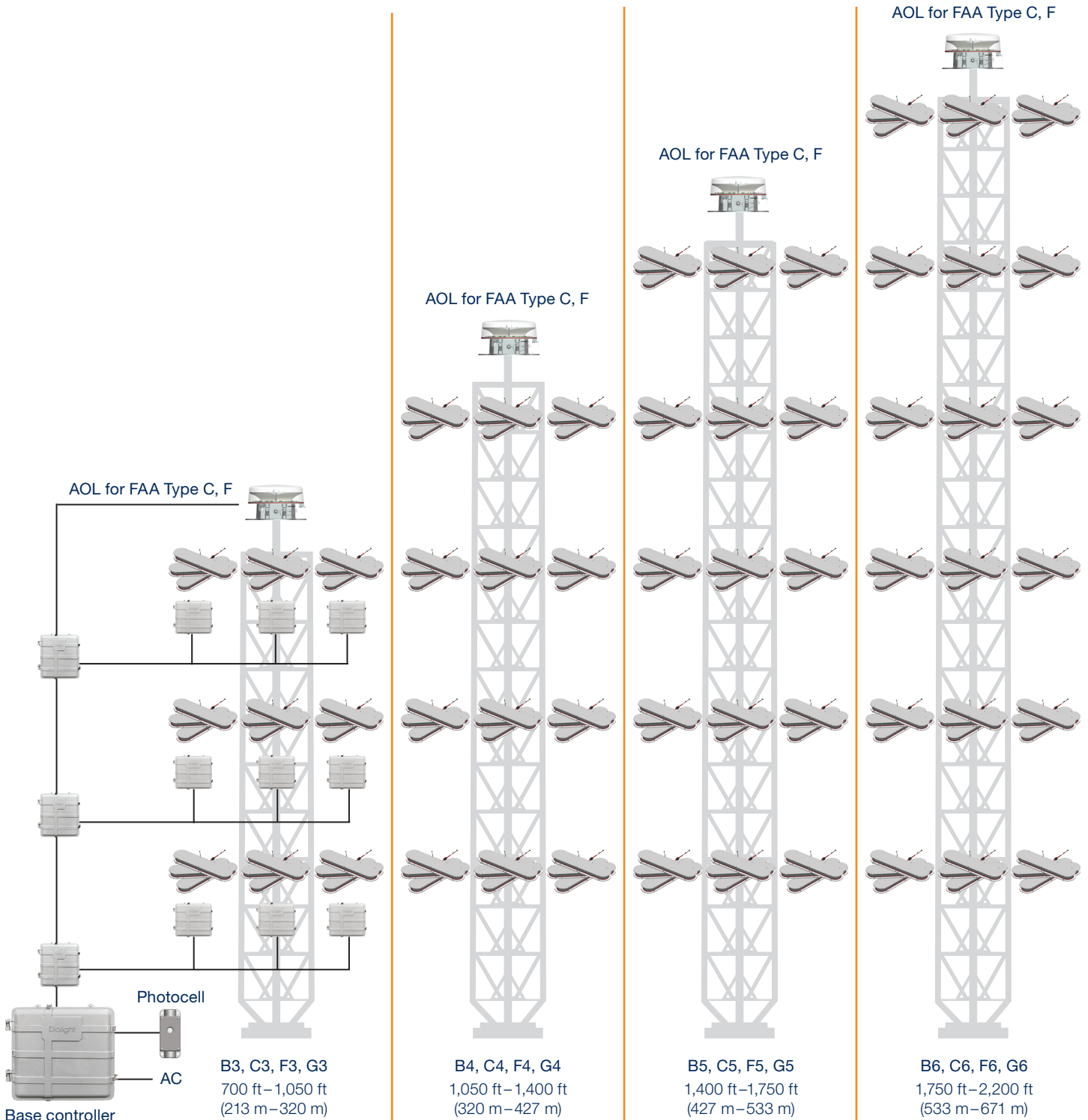
Vigilant® LED High Intensity System L-864 / L-856

High Intensity (Red / White) System with Infrared (IR)

FAA Type B, C, F & G

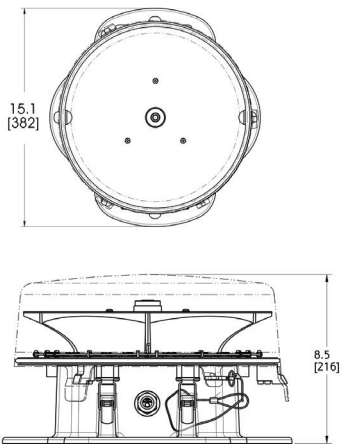
Application

The Dialight Vigilant® High Intensity System is the first all LED L-864/L-856 unit designed for the lighting of communication towers, chimneys, smoke stacks, broadcast towers and other tall obstructions to aerial navigation, as specified by the FAA and ICAO.

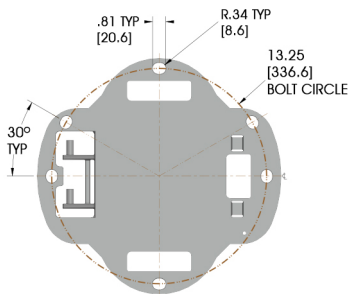


Vigilant® LED Medium Intensity System L-864 / L-865

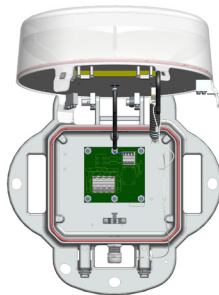
Medium Intensity (Red / White) System with Infrared (IR)



Dimensions in inches [mm]



Flip top design for simple installation



Certifications & Compliance

- FAA AC 150/5345 - 43J
- FAA EB No. 67D and 98
- IP66
- Transport Canada Standard 621
- ICAO Annex 14
- NEMA 4X

Features & Benefits

- 5 year warranty
- ETL verified to FAA standards
- IR wavelength at 850 nm
- Superior surge and lightning protection
- Patented optics for minimal down light / ground scatter
- Remote monitoring options available
- Integrated controller with LCD backlit display
- Universal 120–277 VAC input or 48 VDC input
- IP66/NEMA 4X outdoor rated enclosure
- Provisions for padlock on the enclosure

Cable

- Recommended UV rated 4 conductor cable with metal foil and braid. 14AWG (2.08 mm²) for lengths up to 680' (207 m) or 12AWG (3.31 mm²) for lengths above 680' (207 m).
- Complete kits available: D1, E1, E1+1, E2, D2, E2+1 and D2+1

Technical Information:

| | |
|--|--|
| Flash head weight: | 21 lbs (9.5 kg) |
| Operating voltage: | 120-277 VAC 50/60 Hz or 48 VDC power factor corrected supply |
| Supply voltage ranges: | Nominal ± 10% |
| Effective intensity: | White Day - 20,000 cd White Night - 2,000 cd Red Night - 2,000 cd IR - 246 mW/sr |
| Flash head power: | White Day - 36 W (system = 75 w) White Night - 4 W (system = 10 w) Red/IR Night - 15 W (system = 28 w) |
| Power factor: | > 0.9 |
| Operating temperature: | -40 °F to +131 °F (-40 °C to +55 °C) |
| Synchronization: | Multiple unit sync from single controller |
| All values typical unless otherwise stated (tolerance ± 10%) | |

US Patents: #7,208,881 | #7,568,821 | #7,604,380 | #7,777,424 | #9,423,086 | #9,476,548 | #9,581,309

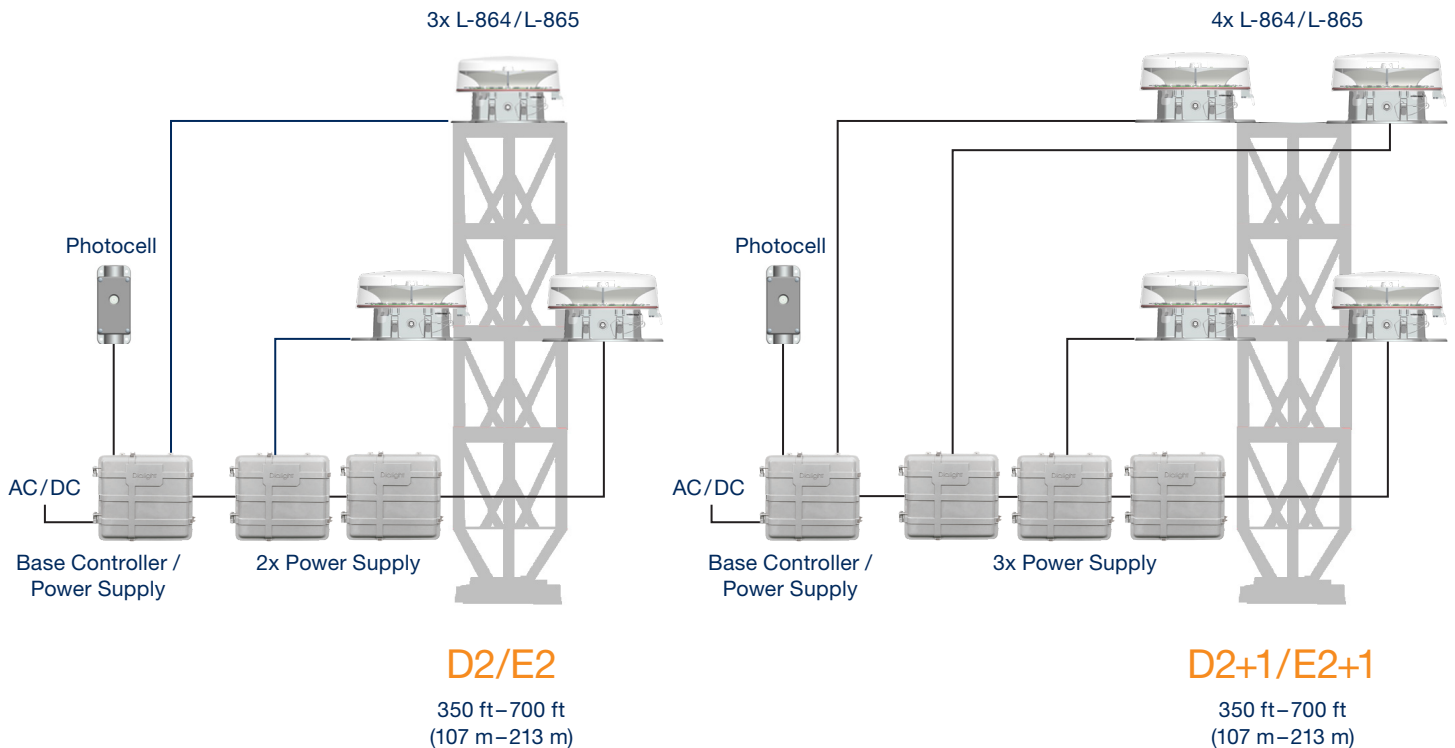
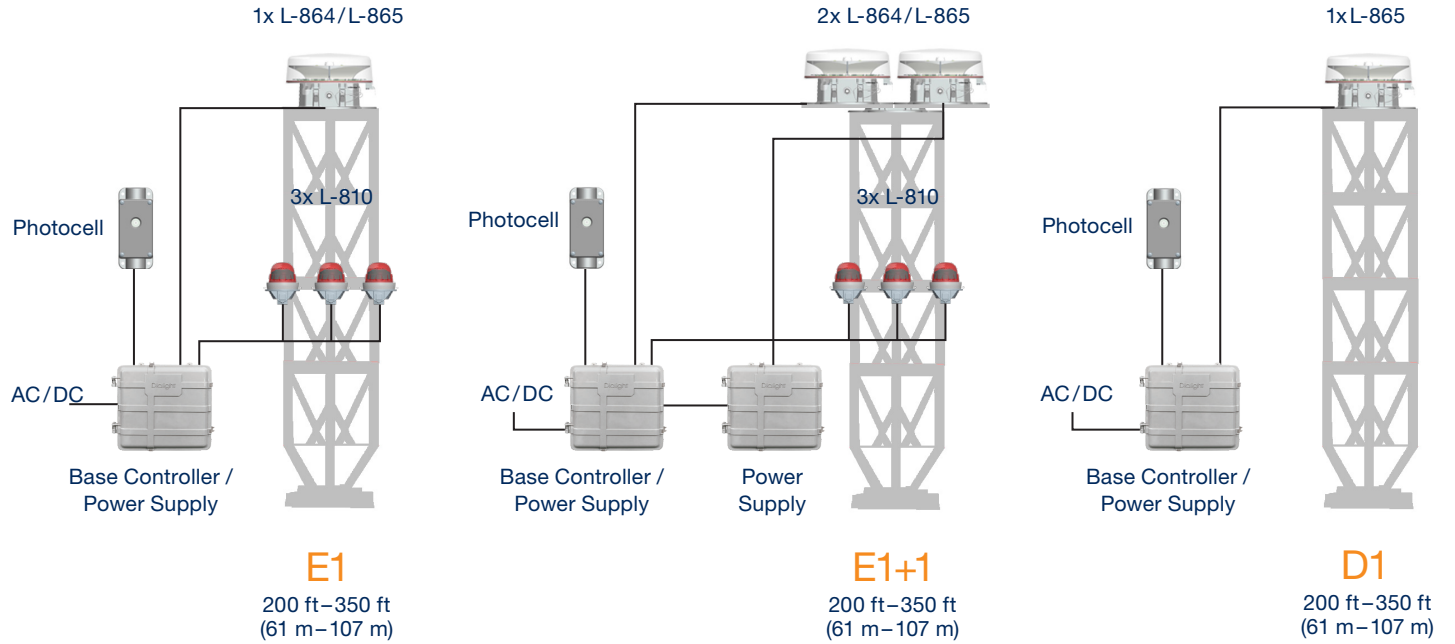
Vigilant® LED Medium Intensity System L-864 / L-865

Medium Intensity (Red / White) System with Infrared (IR)

FAA Type D & E

Application

Dialight's LED based obstruction system is ideal for D & E style FAA communication tower types and can be used to mark other structures as well. The operation of the lights is configurable and fully monitored. The side markers can be run in steady burn or flashing mode. The lights are ETL verified to the FAA requirements.



Vigilant® LED Medium Intensity System L-864 / L-865

Medium Intensity (Red / White) System with Infrared (IR)

LED Flash Head (L-864 / L-865)

| Part Number | Description |
|-------------|--|
| D1CWFH409 | Dual Red/White Medium Intensity Flash Head w/ IR |

LED Side Markers L-810

| Input | Part Number | Description |
|-----------|-------------|---|
| 24-48 VDC | RTOCR28001 | L-810 Low Intensity Side Marker w/ IR: DC Input |

Controllers

| Input | Part Number | Description |
|-------------|-------------|--|
| 120-277 VAC | D1CWCTR409 | Dual Red/White Medium Intensity Controller w/ IR: AC Input |
| 48 VDC | D1CWCTR449 | Dual Red/White Medium Intensity Controller w/ IR: DC Input |

Power Supply

| Input | Part Number | Description |
|-------------|-------------|--|
| 120-277 VAC | D1CWPS9409 | Dual Red/White Medium Intensity Power Supply w/ IR: AC Input |
| 48 VDC | D1CWPS9449 | Dual Red/White Medium Intensity Power Supply w/ IR: DC Input |

Photocell

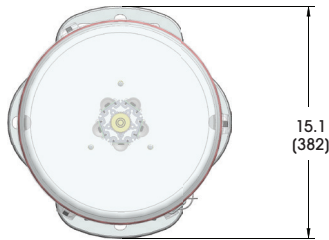
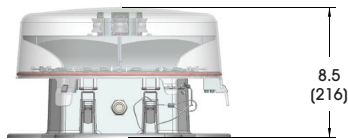
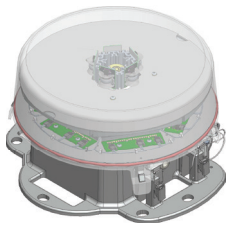
| Part Number | Description |
|-------------|----------------------------------|
| D2566000PEC | Photocell: Single 3/4" NPT Entry |

Cable

| Tower Height | Description |
|--------------------|---|
| up to 680ft (207m) | 14AWG (2.08mm ²) UV rated 4 conductor cable with metal foil and braid |
| above 680ft (207m) | 12AWG (3.31mm ²) UV rated 4 conductor cable with metal foil and braid |

Vigilant® LED Based L-864

Medium Intensity (Red) Flash head with Infrared (IR)



Dimensions in inches [mm]

Certifications & Compliance

- FAA AC 150/5345 - 43J
- FAA EB No. 67D and 98
- IP66
- Transport Canada Standard 621
- ICAO Annex 14
- NEMA 4X

Features & Benefits

- 5 year warranty
- ETL verified to FAA standards
- IR wavelength at 850 nm
- Superior surge and lightning protection
- Patented optics for minimal down light/ground scatter
- IP66/NEMA 4X outdoor rated enclosures
- Remote monitoring options available
- Provisions for padlock on the enclosure
- 6kV of surge protection
- Shock and vibration resistant

Technical Information:

| | |
|---|--|
| Flash head weight: | 18 lbs (8.2 kg) |
| Flash rate: | 20, 30, or 40 (±1%) |
| Effective intensity: | Red - 2,000 cd IR - 246 mW/sr |
| Wattage: | 15.0 W (50% duty cycle) - L864 3.0 W (50% duty cycle) - L810 30 flashes per minute with 1.0 sec. on time |
| Operating temperature: | -40 °F to +131 °F (-40 °C to +55 °C) |
| Power factor: | > 0.9 |
| All values typical unless otherwise stated (tolerance ±10%) | |

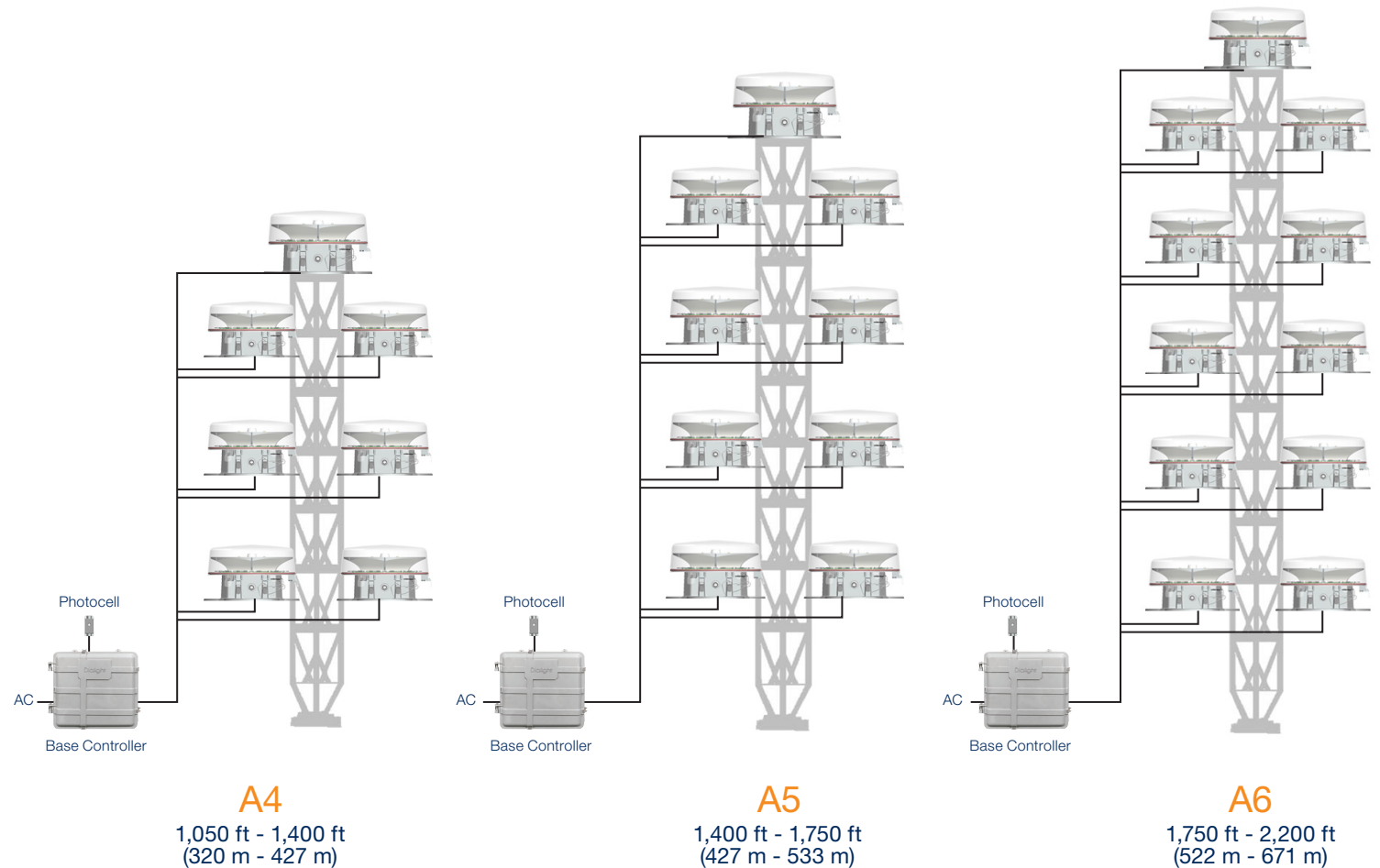
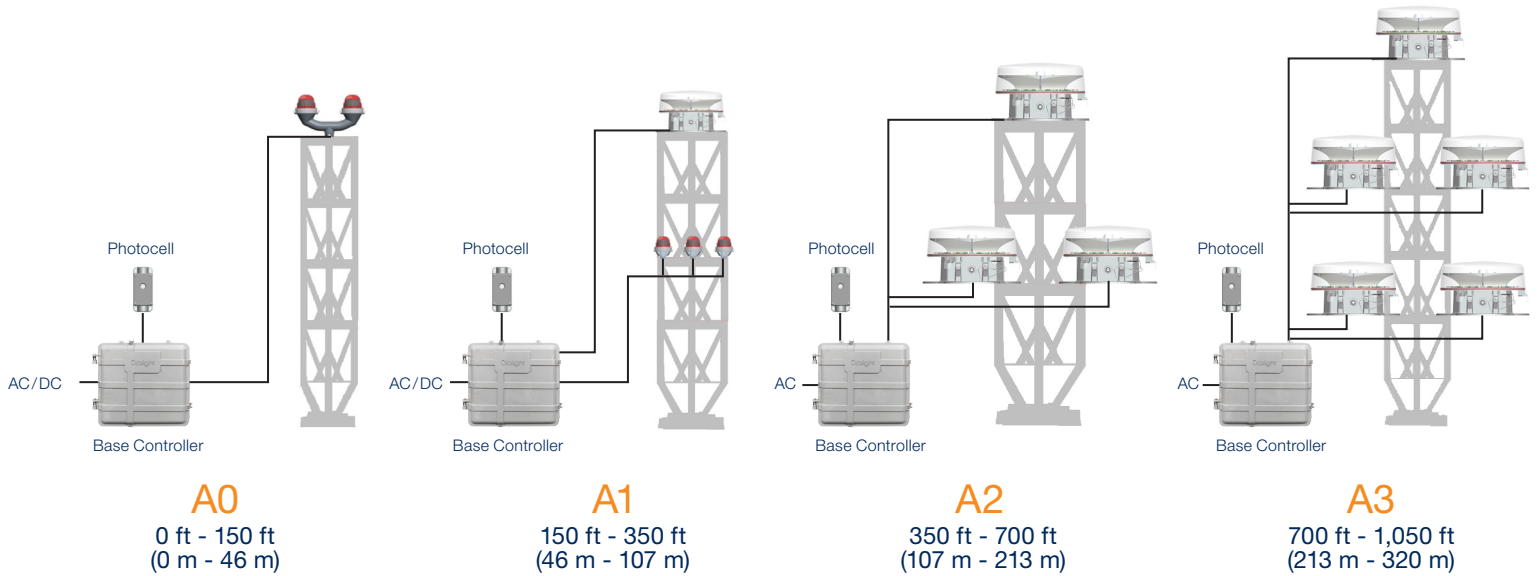
US Patents: # 7,281,821 | #7,568,821 | #9,423,086 | #9,423,086 | #9,476,548
#9,581,309 (other patents pending)

| Part Number | Description | Notes | Certification / Compliance |
|------------------------|--|-------------|----------------------------|
| Standard Models | | | |
| D664R13001 | L-864 Red Flash head with IR AC | 120–240 VAC | FAA / TC, ICAO |
| D664R54001 | L-864 Red Flash head with IR DC | 24–48 VDC | FAA / TC, ICAO |
| RTOCR27001 | L-810 Low Intensity Side Marker - single with IR | 120–240 VAC | FAA / TC, ICAO |
| RTOCR27002 | L-810 Low Intensity Side Marker - double with IR | 120–240 VAC | FAA / TC, ICAO |
| RTOCR28001 | L-810 Low Intensity Side Marker - single with IR | 24–48 VDC | FAA / TC, ICAO |
| RTOCR28002 | L-810 Low Intensity Side Marker - double with IR | 24–48 VDC | FAA / TC, ICAO |
| Photocell | | | |
| D2566000PEC | Photocell: Single 3/4" NPT Entry | — | FAA / TC, ICAO |
| Controllers | | | |
| D6CB55CCTR | A0/A1 Red Controller (24-48 VDC) | 2 outputs | FAA / TC, ICAO |
| D6CB77CCTR | A0/A1 Red Controller (AC system) | 2 outputs | FAA / TC, ICAO |
| D6CE77CCTR | A1-A6 Red Controller (AC system) | 12 outputs | FAA / TC, ICAO |
| D6CG77CCTR | A1-A6 Red Controller (AC system) | 18 outputs | FAA / TC, ICAO |

Intertek verified FAA compliant system numbers D6Cxxx-SYS
Compliant to TC/ICAO

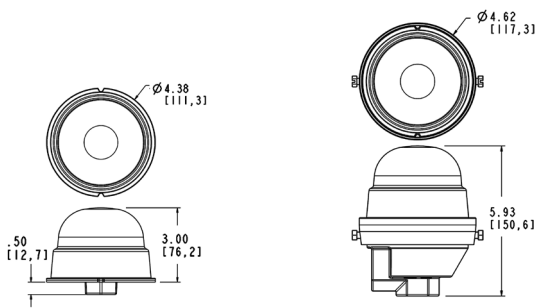
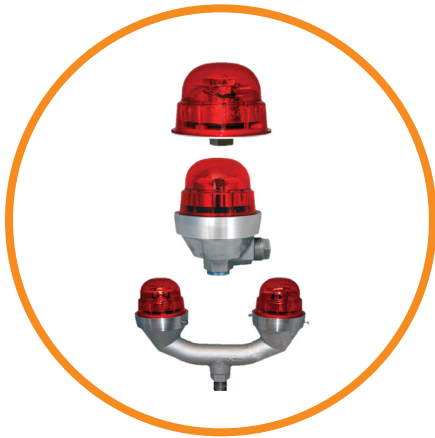
Vigilant® LED Based L-810/L-864

Red-Only Medium and Low Intensity Systems with Infrared (IR)



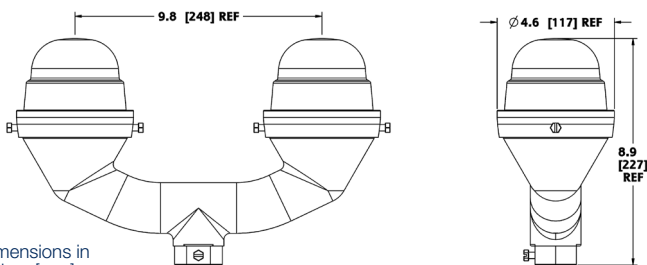
Vigilant® LED Based L-810

Low Intensity (Red) RTO Side Marker with Infrared (IR)



Retro-fit Unit

Single Fixture



Dimensions in inches [mm]

Dual Fixture

Certifications & Compliance

- FAA AC 150/5345 - 43J
- FAA EB No. 67D and 98
- IP66
- Transport Canada Standard 621
- ICAO Annex 14
- NEMA 4X

Features & Benefits

- 5 Year Warranty
- ETL verified to FAA standards
- IR wavelength at 850 nm
- Superior surge and lightning protection
- Controllers available for all applications
- Compact, low power design
- Ideal for towers, stacks, wind turbines, buildings, etc.
- 360 degree coverage for each flash head
- Shock and vibration resistant
- Lighting kits available for standard towers

Technical Information:

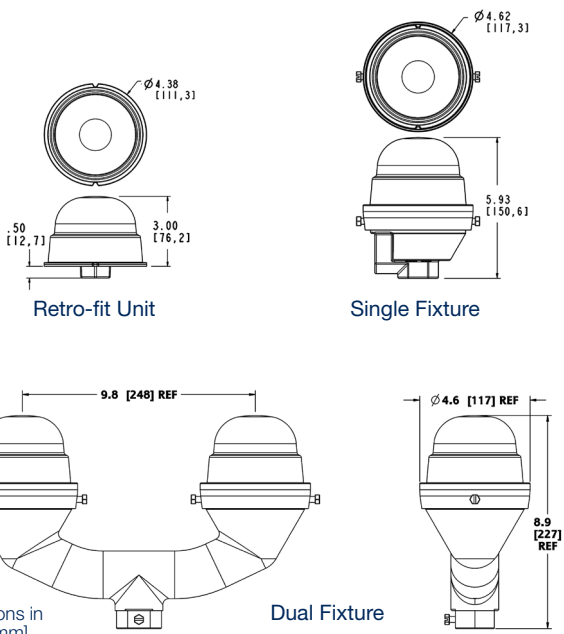
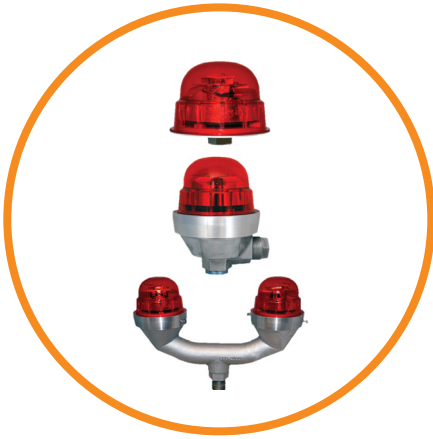
| | |
|--|---|
| Unit weight: | 1.25 lbs (0.56 kg) (Retro unit) 2.00 lbs (0.91 kg) (Single unit) 4.60 lbs (2.09 kg) (Dual unit) |
| Supply voltage ranges: | Nominal ±10% |
| Effective intensity: | Red - 32 cd IR - 4 mW/sr |
| Wattage: | RTOCR27 (AC) = 6w steady burn RTOCR28 (DC) = 5.2w steady burn. |
| Power factor: | > 0.9 (All AC units) |
| Operating temperature: | -40 °F to +131 °F (-40 °C to +55 °C) |
| Input AC frequency: | 50/60 Hz |
| All values typical unless otherwise stated (tolerance ± 10%) | |

US Patent #7,604,384 | # 9,423,086 | #9.423,086

| Part Number | Description | Voltage | Certification / Compliance | Wattage |
|-------------|--|-------------|----------------------------|---------|
| RTOCR27001 | Single Fixture Red/Infrared (IR) | 120–240 VAC | FAA / TC, ICAO | 6.0 |
| RTOCR28001 | Single Fixture Red/Infrared (IR) | 24–48 VDC | FAA / TC, ICAO | 5.2 |
| RTOCR27002 | Dual Fixture Red/Infrared (IR) | 120–240 VAC | FAA / TC, ICAO | 12.0 |
| RTOCR28002 | Dual Fixture Red/Infrared (IR) | 24–48 VDC | FAA / TC, ICAO | 10.4 |
| RTOCR27004 | Single Side Marker Retro-fit Fixture Red/Infrared (IR) | 120–240 VAC | FAA / TC, ICAO | 6.0 |
| RTOCR28004 | Single Side Marker Retro-fit Fixture Red/Infrared (IR) | 24–48 VDC | FAA / TC, ICAO | 5.2 |

Vigilant® LED Based L-810

Low Intensity (Red) RTO Side Marker



Certifications & Compliance

- FAA AC 150/5345 – 43H
- FAA EB No. 67D and 98
- IP66
- Transport Canada Standard 621
- ICAO Annex 14
- DGAC Mexico

Features & Benefits

- Superior surge and lightning protection
- Controllers available for all applications
- Compact, low power design
- Ideal for towers, stacks, wind turbines, buildings, etc.
- 360 degree coverage for each flash head
- Shock and vibration resistant
- Lighting kits available for standard towers

Technical Information:

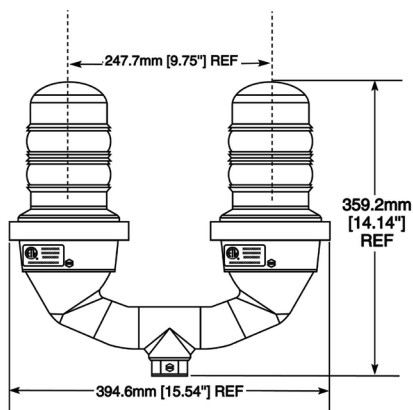
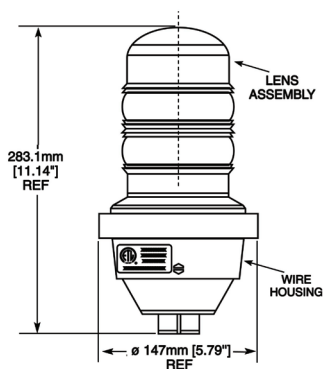
| | |
|--|---|
| Unit weight: | 1.25 lbs (0.56 kg) (Retro unit) 2.00 lbs (0.91 kg) (Single unit) 4.60 lbs (2.09 kg) (Dual unit) |
| Supply voltage ranges: | Nominal ±10% |
| Power factor: | > 0.9 (All AC units) |
| Operating temperature: | -40 °F to +131 °F (-40 °C to +55 °C) |
| Input AC frequency: | 50/60 Hz |
| All values typical unless otherwise stated (tolerance ± 10%) | |

US Patent #7,604,384 | # 9,423,086 | #9.423,086

| Part Number | Description | Voltage | Certification / Compliance | Wattage |
|--------------|--|-------------|----------------------------|---------|
| RTO1R07001 | Single Fixture | 120–240 VAC | FAA / TC, ICAO | 6.5 |
| RTO1R18001 | Single Fixture - Low Power | 12–48 VDC | FAA / TC, ICAO | 1.5 |
| RTO1R07002 | Dual Fixture | 120–240 VAC | FAA / TC, ICAO | 13 |
| RTO1R18002 | Dual Fixture - Low Power | 12–48 VDC | FAA / TC, ICAO | 3 |
| RTO1R07004 | Single Side Marker Retro-fit Fixture | 120–240 VAC | FAA / TC, ICAO | 6.5 |
| RTO1R18004 | Single Side Marker Retro-fit Fixture - Low Power | 12–48 VDC | FAA / TC, ICAO | 1.5 |
| RTO1R07001EU | Single Fixture | 120–240 VAC | ICAO only, 32cd | 6.5 |
| RTO1R07002EU | Dual Fixture | 120–240 VAC | ICAO only, 32cd | 13 |
| RTO1R07004EU | Single Side Marker Retro-fit Fixture | 120–240 VAC | ICAO only, 32cd | 6.5 |

Vigilant® LED Based L-810

Low Intensity (Red) Light



Dimensions in inches [mm]

Compliance

- IP66
- Transport Canada Standard 621
- ICAO Annex 14
- CASA

Features & Benefits

- Superior surge and lightning protection
- Controllers available for all applications
- Ideal for towers, stacks, wind turbines, buildings, etc.
- 360 degree coverage for each flash head
- Shock and vibration resistant
- Lighting kits available for standard towers
- 6kV of surge protection

Technical Information:

| | |
|---------------------|--|
| Unit weight: | 7.14 lbs (3.23 kg) (Single unit) 16.06 lbs (7.28 kg) (Dual unit) |
| Wattages: | 15 W/120mA (120 VAC) ± 10% 16 W/120mA (230 VAC-60 Hz) ± 15% 16 W/(230 VAC - 50 Hz) 24 W/2.0A (12 VDC - Standard) 20 W/920mA (24 VDC) 13 W/275mA (48 VDC) |
| Voltage amp: | 44 VA (120 VAC) ± 10% 67 VA (230 VAC) ± 15% |

Operating temperature: -67 °F to +131 °F (-55 °C to +55 °C)

All values typical unless otherwise stated (tolerance ± 10%)

US Patent #6,425,678 (other patents pending)

| Part Number | Description | Voltage |
|-----------------|----------------|---------|
| 860-1R01-001 | Single Fixture | 120 VAC |
| 860-1R02-001 | Single Fixture | 230 VAC |
| 860-1R03-001 | Single Fixture | 12 VDC |
| 860-1R04-001 | Single Fixture | 48 VDC |
| 860-1R05-001 | Single Fixture | 24 VDC |
| 860-1R01-002 | Dual Fixture | 120 VAC |
| 860-1R02-002 | Dual Fixture | 230 VAC |
| 860-1R04-002 | Dual Fixture | 48 VDC |
| 860-4R02-001-EU | Single Fixture | 230 VAC |
| 860-1R02-002-EU | Dual Fixture | 230 VAC |
| 860-6R01-001 | Single Fixture | 120 VAC |
| 860-6R01-002 | Dual Fixture | 120 VAC |

North American HQ

1501 Route 34 South
Farmingdale, NJ 07727
Tel: 732-919-3119
Fax: 732-751-5778
info@dialight.com

EMEA Technical Centre

Tel: +44 1638 666541 (UK)
Tel: +49 89 12089 5713 (Germany)
Tel: +33 3 23 22 62 58 (France)
sales-europe@dialight.com

Houston

16830 Barker Springs Rd
Ste 407
Houston, TX 77084
Tel: 732-919-3119
Fax: 281-492-1531
info@dialight.com

Middle East

Level 42
Emirates Towers (Office Tower)
Sheikh Zayed Road
Dubai, United Arab Emirates
Fax: +971 (0) 4319 7686
Tel: +971 (0) 4319 7686

Australia

108 Howe Street
Osborne Park, Perth 6017
Australia
Tel: +61 (0) 8 9244 7600
Fax: +61 (0) 8 9244 7601
info@dialight.com.au

Southeast Asia

33 Ubi Avenue 3
#07-72 Vertex (Tower A)
Singapore 408868
Tel: +65 6578 7157
Fax: +65 6578 7150
enquiry@dialight.com.sg

Brazil

Alameda Mercurio,
225 – American Park Empresarial NR
Indaiatuba – SP – 13347– 662
Tel: +55 (19) 3113-4300
Fax: +55 (19) 3113-4300
brasil@dialight.com

All values are design or typical values when measured under laboratory conditions. The lighting efficiency statements contained herein are calculated on a lumen per watts basis when comparing fixtures with similar features. All information provided is accurate as of the date of publication, is subject to change without notice and does not form part of any contract with dialight. Dialight does not warrant or represent that its products are fit for any particular purpose and has no responsibility for the inappropriate/unauthorised/non-approved use of any Dialight products by the end user.

Dialight reserves the right to make changes at any time in order to supply the best product possible.

The most current version of this document will always be available at: www.dialight.com