



ProSite LED Floodlight

Technical Specification Sheet - Americas

ProSite LED Floodlight - UL / CSA

F1 Models

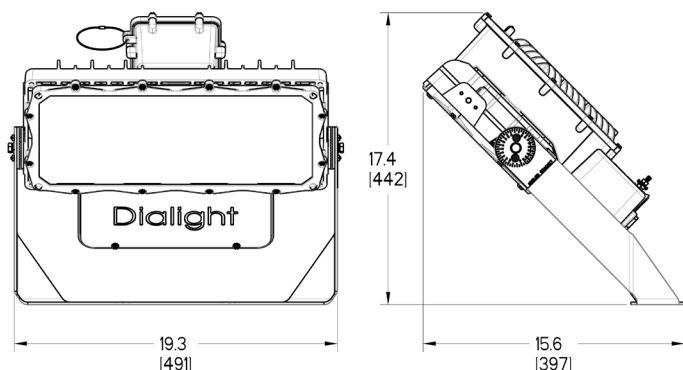


Patent Pending

Certifications & Ratings

- 10 year warranty
- UL 1598/A / CSA C22.2 No. 250.0 / NOM
- UL 844 / CSA C22.2 No. 137
 - Class I, Division 2 (Groups A, B, C, D)
 - Class I, Zone 2 (Groups IIC)
 - Class II, Division 1 (Groups E, F, G) - up to 18k lumen models
 - Class II, Division 2 (Groups F, G)
 - Zone 20, 21 & 22
 - Class III
- IP66/67, NEMA 4X
- ABS
- IK10 (integrated PC optic/lens/lens cover), IK08 (glass lens cover)
- L70 > 150,000 hours @ 25°C ambient
- DLC/DLC Premium - selected models

Angled Bracket



Dimensions in inches [mm]

Additional dimensional drawings on pages 15-16

Mechanical Information:

Fixture weight:	24 - 30 lbs
Shipping weight:	~32 lbs
EPA (sq. ft):	2.00
Mounting:	316 stainless steel straight bracket 316 stainless steel angled bracket Slipfitter bracket
Cable entry:	2 x 3/4" NPT

Electrical Specifications:

Operating voltage:	120-277VAC / 120-250VDC 347-480 VAC
Operating temp:	-40°F to +149°F (-40°C to +65°C)
EMC:	CISPR 15 FCC 47CFR 15 IEC 61000-3-3 IEC 61547 IEC 61000-3-2

Transient protection:	6KV/3KA combination wave, as per IEEE C62.41, line-line and line-ground.
Optional:	10kV/5kA for non-hazardous models

THD:	< 20%
-------------	-------

Power Factor:	> 0.9
----------------------	-------

Dimming:	Wireless dimming controls via Dialight IntelliLED (optional), DALI 2.0 compatible/ 0-10 VDC (standard)
-----------------	--

Construction:

Housing:	A360 Die-cast aluminum
Hardware:	316 stainless steel
Finish:	Superior epoxy and polyester dual coat finish
Lens:	Integrated PC Optic/Lens, Glass Lens Cover, PC Lens Cover

Photometric Information:

CRI:	70 (80 optional)
CCT:	5000K (cool white) 4000K (neutral white) 2700K (warm white) - 80 CRI

Beam pattern:	NEMA 4 NEMA 6 NEMA 7x6 Asymmetric
----------------------	--

IES files:	Available at www.dialight.com
-------------------	---

All values typical unless otherwise stated (tolerance +/- 10%)

Temperature Ratings

Ambient Temperature T-Code: T4	Ambient Temperature T-Code: T4A
-40°F to +149°F (-40°C to +65°C)	-40°F to +131°F (-40°C to +55°C)

WARNING - INSTALLATION & SECONDARY RETENTION. Use of any Dialight products without proper installation (including secondary retention / netting) and periodic inspections could cause severe injury or death. Dialight recommends that all installations should use secondary retention / netting (appropriate to the installation environment) where applicable. It is the exclusive responsibility of the contractor, installer and/or end-user to: (a) determine the suitability of the product for its intended application; and, (b) ensure that the product is safely installed (with secondary retention / netting where appropriate) and in compliance with all applicable laws and regulations. To the extent permissible under applicable laws, Dialight disclaims all liability for personal injury and/or other damage resulting from any dislodgment or other dislocation of its products.

ProSite LED Floodlight - UL / CSA

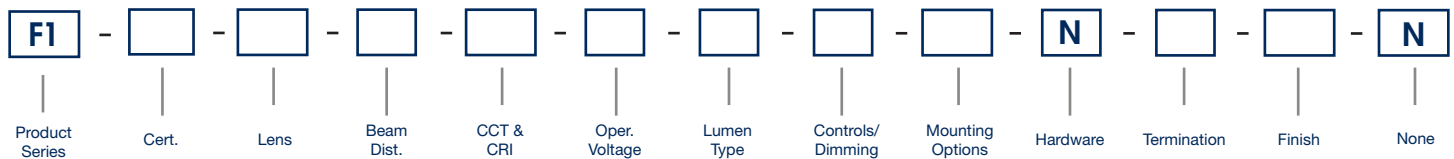
F1 Models



Project Information	
Part Number:	
Project:	
Fixture Type:	Date:

Specifications

Ordering Information



Product Series
F1 ProSite Floodlight F1 Model
Certification
D UL 844 CID2, CID2, CIII
F UL 844 CIID1, CID2, CID2, CIII (up to 18k lm models)
U UL 1598/A / CSA
Lens
N Integrated PC Optic/Lens Only
4 PC Lens Cover
7 Glass Lens Cover
Beam Distribution
4 NEMA 4
6 NEMA 6
7 NEMA 7x6
F Asymmetric*

*For Asymmetric beam distribution either a PC or Glass lens cover must be included

CCT & CRI
B Cool White 5000K - 70 CRI
L Neutral White 4000K - 70 CRI
W Warm White 2700K - 80 CRI

*Amber options available

Operating Voltage
2 120-277VAC / 120-250VDC
5 347-480 VAC
8 120-277VAC / 120-250VDC 10kV surge (non-hazardous only)
9 347-480 VAC 10kV surge (non-hazardous only)

Lumen Type
B 12,000 Lumens
C 18,000 Lumens
E 24,000 Lumens
F 30,000 Lumens

Controls/Dimming
D 0-10V / DALI
J Dialight IntelliLED Wireless Controls 2.4GHz
S Receptacle with Shorting Cap (non-hazardous only)

Mounting Options
E 316 SS Angled Bracket
F 316 SS Straight Bracket
S Slipfitter (1-1/4" - 2-3/8" OD)*

*For Slipfitter mounting UL844 models are only rated up to CID2 (A, B, C & D)

Hardware
N No Option

Termination
U 6mm ² Terminal Block - Screw Down*
V 4mm ² Terminal Block - Push Down

*The 6mm² terminals are only for the incoming power connections. The 6mm² terminals are single pole and cannot be used for 'through' wiring. The 6mm² terminals are not available for 347-480V models.

Finish
G Gray (RAL 7040)
Z Bronze (RAL 7022)

None
N No Options

WARNING - INSTALLATION & SECONDARY RETENTION. Use of any Dialight products without proper installation (including secondary retention / netting) and periodic inspections could cause severe injury or death. Dialight recommends that all installations should use secondary retention / netting (appropriate to the installation environment) where applicable. It is the exclusive responsibility of the contractor, installer and/or end-user to: (a) determine the suitability of the product for its intended application; and, (b) ensure that the product is safely installed (with secondary retention / netting where appropriate) and in compliance with all applicable laws and regulations. To the extent permissible under applicable laws, Dialight disclaims all liability for personal injury and/or other damage resulting from any dislodgment or other dislocation of its products.

Ordering Information

ProSite LED Floodlight - UL / CSA



Industrial - UL 1598 / CSA							
Part Number	Fixture Lumens	Wattage	lm/W	Voltage	CCT	Lens	Beam Distribution
12,000lm Models							
F1U-N7B2-BDEN-VGN	13,200	81	163	120-277VAC / 120-250VDC	5000k (cool white)	Integrated PC	NEMA 7x6
F1U-N6B2-BDEN-VGN	13,200	81	163	120-277VAC / 120-250VDC	5000k (cool white)	Integrated PC	NEMA 6
F1U-N4B2-BDEN-VGN	13,200	81	163	120-277VAC / 120-250VDC	5000k (cool white)	Integrated PC	NEMA 4
F1U-N7B5-BDEN-VGN	13,200	84	158	347-480VAC	5000k (cool white)	Integrated PC	NEMA 7x6
F1U-N6B5-BDEN-VGN	13,200	84	158	347-480VAC	5000k (cool white)	Integrated PC	NEMA 6
F1U-N4B5-BDEN-VGN	13,200	84	158	347-480VAC	5000k (cool white)	Integrated PC	NEMA 4
18,000lm Models							
F1U-N7B2-CDEN-VGN	19,100	124	154	120-277VAC / 120-250VDC	5000k (cool white)	Integrated PC	NEMA 7x6
F1U-N6B2-CDEN-VGN	19,100	124	154	120-277VAC / 120-250VDC	5000k (cool white)	Integrated PC	NEMA 6
F1U-N4B2-CDEN-VGN	19,100	124	154	120-277VAC / 120-250VDC	5000k (cool white)	Integrated PC	NEMA 4
F1U-N7B5-CDEN-VGN	19,100	128	149	347-480VAC	5000k (cool white)	Integrated PC	NEMA 7x6
F1U-N6B5-CDEN-VGN	19,100	128	149	347-480VAC	5000k (cool white)	Integrated PC	NEMA 6
F1U-N4B5-CDEN-VGN	19,100	128	149	347-480VAC	5000k (cool white)	Integrated PC	NEMA 4
24,000lm Models							
F1U-N7B2-EDEN-VGN	25,000	175	143	120-277VAC / 120-250VDC	5000k (cool white)	Integrated PC	NEMA 7x6
F1U-N6B2-EDEN-VGN	25,000	175	143	120-277VAC / 120-250VDC	5000k (cool white)	Integrated PC	NEMA 6
F1U-N4B2-EDEN-VGN	25,000	175	143	120-277VAC / 120-250VDC	5000k (cool white)	Integrated PC	NEMA 4
F1U-N7B5-EDEN-VGN	25,000	179	140	347-480VAC	5000k (cool white)	Integrated PC	NEMA 7x6
F1U-N6B5-EDEN-VGN	25,000	179	140	347-480VAC	5000k (cool white)	Integrated PC	NEMA 6
F1U-N4B5-EDEN-VGN	25,000	179	140	347-480VAC	5000k (cool white)	Integrated PC	NEMA 4
30,000lm Models							
F1U-N7B2-FDEN-VGN	31,600	234	135	120-277VAC / 120-250VDC	5000k (cool white)	Integrated PC	NEMA 7x6
F1U-N6B2-FDEN-VGN	31,600	234	135	120-277VAC / 120-250VDC	5000k (cool white)	Integrated PC	NEMA 6
F1U-N4B2-FDEN-VGN	31,600	234	135	120-277VAC / 120-250VDC	5000k (cool white)	Integrated PC	NEMA 4
F1U-N7B5-FDEN-VGN	31,600	237	133	347-480VAC	5000k (cool white)	Integrated PC	NEMA 7x6
F1U-N6B5-FDEN-VGN	31,600	237	133	347-480VAC	5000k (cool white)	Integrated PC	NEMA 6
F1U-N4B5-FDEN-VGN	31,600	237	133	347-480VAC	5000k (cool white)	Integrated PC	NEMA 4

All values typical unless otherwise stated (tolerance +/- 10%).
 See ordering information chart for additional options.
 Part numbers listed in **bold** are typically available in stock.
 Mounting Bracket - Angled Bracket supplied as standard.

DISCLAIMER. All product information provided is, to the best of Dialight's knowledge, accurate as of the date of publication. When ordering, refer to www.dialight.com for current versions of: (a) relevant product documentation (including the relevant product data sheets); (b) Dialight terms and conditions of sale; and, (c) the relevant product warranty. To the extent that any contract is deemed formed between Dialight and the purchaser of Dialight products and/or an end-user, versions of documents available at www.dialight.com as at the date of sale shall be the versions incorporated therein. In the event of any discrepancy between this document or information provided at www.dialight.com, the latter shall prevail.



Ordering Information

ProSite LED Floodlight - UL / CSA

Hazardous - UL844 CID2, CIID2, CIII							
Part Number	Fixture Lumens	Wattage	lm/W	Voltage	CCT	Lens	Beam Distribution
12,000lm Models							
F1D-77B2-BDEN-VGN	12,500	81	154	120-277VAC / 120-250VDC	5000k (cool white)	Glass	NEMA 7x6
F1D-76B2-BDEN-VGN	12,500	81	154	120-277VAC / 120-250VDC	5000k (cool white)	Glass	NEMA 6
F1D-74B2-BDEN-VGN	12,500	81	154	120-277VAC / 120-250VDC	5000k (cool white)	Glass	NEMA 4
F1D-77B5-BDEN-VGN	12,500	84	150	347-480VAC	5000k (cool white)	Glass	NEMA 7x6
F1D-76B5-BDEN-VGN	12,500	84	150	347-480VAC	5000k (cool white)	Glass	NEMA 6
F1D-74B5-BDEN-VGN	12,500	84	150	347-480VAC	5000k (cool white)	Glass	NEMA 4
18,000lm Models							
F1D-77B2-CDEN-VGN	18,000	124	145	120-277VAC / 120-250VDC	5000k (cool white)	Glass	NEMA 7x6
F1D-76B2-CDEN-VGN	18,000	124	145	120-277VAC / 120-250VDC	5000k (cool white)	Glass	NEMA 6
F1D-74B2-CDEN-VGN	18,000	124	145	120-277VAC / 120-250VDC	5000k (cool white)	Glass	NEMA 4
F1D-77B5-CDEN-VGN	18,000	128	141	347-480VAC	5000k (cool white)	Glass	NEMA 7x6
F1D-76B5-CDEN-VGN	18,000	128	141	347-480VAC	5000k (cool white)	Glass	NEMA 6
F1D-74B5-CDEN-VGN	18,000	128	141	347-480VAC	5000k (cool white)	Glass	NEMA 4
24,000lm Models							
F1D-77B2-EDEN-VGN	23,600	175	135	120-277VAC / 120-250VDC	5000k (cool white)	Glass	NEMA 7x6
F1D-76B2-EDEN-VGN	23,600	175	135	120-277VAC / 120-250VDC	5000k (cool white)	Glass	NEMA 6
F1D-74B2-EDEN-VGN	23,600	175	135	120-277VAC / 120-250VDC	5000k (cool white)	Glass	NEMA 4
F1D-77B5-EDEN-VGN	23,600	179	132	347-480VAC	5000k (cool white)	Glass	NEMA 7x6
F1D-76B5-EDEN-VGN	23,600	179	132	347-480VAC	5000k (cool white)	Glass	NEMA 6
F1D-74B5-EDEN-VGN	23,600	179	132	347-480VAC	5000k (cool white)	Glass	NEMA 4
30,000lm Models							
F1D-77B2-FDEN-VGN	29,900	234	128	120-277VAC / 120-250VDC	5000k (cool white)	Glass	NEMA 7x6
F1D-76B2-FDEN-VGN	29,900	234	128	120-277VAC / 120-250VDC	5000k (cool white)	Glass	NEMA 6
F1D-74B2-FDEN-VGN	29,900	234	128	120-277VAC / 120-250VDC	5000k (cool white)	Glass	NEMA 4
F1D-77B5-FDEN-VGN	29,900	237	126	347-480VAC	5000k (cool white)	Glass	NEMA 7x6
F1D-76B5-FDEN-VGN	29,900	237	126	347-480VAC	5000k (cool white)	Glass	NEMA 6
F1D-74B5-FDEN-VGN	29,900	237	126	347-480VAC	5000k (cool white)	Glass	NEMA 4
Hazardous - UL844 CIID1							
12,000lm Models							
F1F-77B2-BDEN-VGN	12,500	81	154	120-277VAC / 120-250VDC	5000k (cool white)	Glass	NEMA 7x6
F1F-76B2-BDEN-VGN	12,500	81	154	120-277VAC / 120-250VDC	5000k (cool white)	Glass	NEMA 6
F1F-74B2-BDEN-VGN	12,500	81	154	120-277VAC / 120-250VDC	5000k (cool white)	Glass	NEMA 4
F1F-77B5-BDEN-VGN	12,500	84	150	347-480VAC	5000k (cool white)	Glass	NEMA 7x6
F1F-76B5-BDEN-VGN	12,500	84	150	347-480VAC	5000k (cool white)	Glass	NEMA 6
F1F-74B5-BDEN-VGN	12,500	84	150	347-480VAC	5000k (cool white)	Glass	NEMA 4
18,000lm Models							
F1F-77B2-CDEN-VGN	18,000	124	145	120-277VAC / 120-250VDC	5000k (cool white)	Glass	NEMA 7x6
F1F-76B2-CDEN-VGN	18,000	124	145	120-277VAC / 120-250VDC	5000k (cool white)	Glass	NEMA 6
F1F-74B2-CDEN-VGN	18,000	124	145	120-277VAC / 120-250VDC	5000k (cool white)	Glass	NEMA 4
F1F-77B5-CDEN-VGN	18,000	128	141	347-480VAC	5000k (cool white)	Glass	NEMA 7x6
F1F-76B5-CDEN-VGN	18,000	128	141	347-480VAC	5000k (cool white)	Glass	NEMA 6
F1F-74B5-CDEN-VGN	18,000	128	141	347-480VAC	5000k (cool white)	Glass	NEMA 4

All values typical unless otherwise stated (tolerance +/- 10%).
See previous page notes and warranty information.

ProSite LED Floodlight - UL / CSA

F2 Models

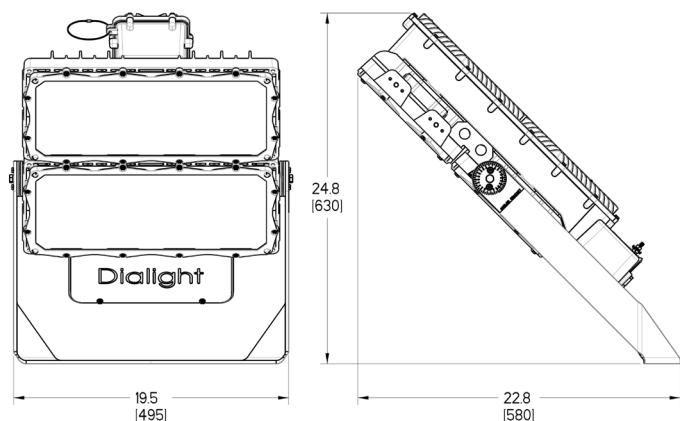


Patent Pending

Certifications & Ratings

- 10 year warranty
- UL 1598/A / CSA C22.2 No. 250.0 / NOM
- UL 844 / CSA C22.2 No. 137
 - Class I, Division 2 (Groups A, B, C, D)
 - Class I, Zone 2 (Groups IIC)
 - Class II, Division 1 (Groups E, F, G) - up to 36k lumen models
 - Class II, Division 2 (Groups F, G)
 - Zone 20, 21 & 22
 - Class III
- IP66/67, NEMA 4X
- ABS
- IK10 (integrated PC optic/lens/lens cover), IK08 (glass lens cover)
- L70 > 150,000 hours @ 25°C ambient
- DLC/DLC Premium - selected models

Angled Bracket



Dimensions in inches [mm]
Additional dimensional drawings on pages 15-16

WARNING - INSTALLATION & SECONDARY RETENTION. Use of any Dialight products without proper installation (including secondary retention / netting) and periodic inspections could cause severe injury or death. Dialight recommends that all installations should use secondary retention / netting (appropriate to the installation environment) where applicable. It is the exclusive responsibility of the contractor, installer and/or end-user to: (a) determine the suitability of the product for its intended application; and, (b) ensure that the product is safely installed (with secondary retention / netting where appropriate) and in compliance with all applicable laws and regulations. To the extent permissible under applicable laws, Dialight disclaims all liability for personal injury and/or other damage resulting from any dislodgment or other dislocation of its products.

Mechanical Information:

- Fixture weight:** 43 - 54 lbs
- Shipping weight:** ~56 lbs
- EPA (sq. ft):** 3.33
- Mounting:** 316 stainless steel straight bracket
(all with 7.5° tilting increments) 316 stainless steel angled bracket
- Cable entry:** 2 x 3/4" NPT

Electrical Specifications:

- Operating voltage:** 120-277VAC / 120-250VDC
347-480 VAC
- Operating temp:** -40°F to +149°F (-40°C to +65°C)
-40°F to +131°F (-40°C to +55°C) - 60klm

- EMC:** CISPR 15
FCC 47CFR 15
IEC 61000-3-3
IEC 61547
IEC 61000-3-2

- Transient protection:** 6KV/3KA combination wave, as per IEEE C62.41, line-line and line-ground.
Optional: 10kV/5kA for non-hazardous models

- THD:** < 20%

- Power Factor:** > 0.9

- Dimming:** Wireless dimming controls via Dialight IntelliLED (up to 36k only), DALI 2.0 compatible / 0-10VDC

Construction:

- Housing:** A360 Die-cast aluminum
- Hardware:** 316 stainless steel
- Finish:** Superior epoxy and polyester dual coat finish
- Lens:** Integrated PC Optic/Lens, Glass Lens Cover, PC Lens Cover

Photometric Information:

- CRI:** 70 (80 optional)
- CCT:** 5000K (cool white)
4000K (neutral white)
2700K (warm white) - 80 CRI

- Beam pattern:** NEMA 4
NEMA 6
NEMA 7x6
Asymmetric

- IES files:** Available at www.dialight.com

All values typical unless otherwise stated (tolerance +/- 10%)

Temperature Ratings

Ambient Temperature T-Code: T4	Ambient Temperature T-Code: T4A
-40°F to +149°F (-40°C to +65°C)	-40°F to +131°F (-40°C to +55°C)

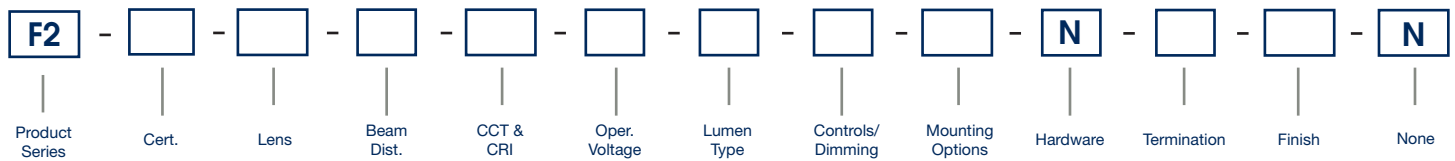
ProSite LED Floodlight - UL / CSA F2 Models



Project Information	
Part Number:	
Project:	
Fixture Type:	Date:

Specifications

Ordering Information



Product Series F2 ProSite Floodlight F2 Model	CCT & CRI B Cool White 5000K - 70 CRI L Neutral White 4000K - 70 CRI W Warm White 2700K - 80 CRI <small>*Amber options available</small>	Controls/Dimming D 0-10V / DALI as standard J Dialight IntelliLED Wireless Controls 2.4GHz (Available up to 36klm models) S Receptacle with Shorting Cap (non-hazardous only)	Termination U 6mm ² Terminal Block - Screw Down* V 4mm ² Terminal Block - Push Down <small>*The 6mm² terminals are only for the incoming power connections. The 6mm² terminals are single pole and cannot be used for 'through' wiring. The 6mm² terminals are not available for 347-480V models.</small>
Certification D UL 844 CID2, CIID2, CIII F UL 844 CIID1, CID2, CIID2, CIII (up to 36k lm models) U UL 1598/A / CSA	Operating Voltage 2 120-277VAC / 120-250VDC 5 347-480 VAC 8 120-277VAC / 120-250VDC 10kV surge (non-hazardous only) 9 347-480 VAC 10kV surge (non-hazardous only)	Mounting Options E 316 SS Angled Bracket F 316 SS Straight Bracket	Finish G Gray (RAL 7040) Z Bronze (RAL 7022)
Lens N Integrated PC Optic/Lens Only 4 PC Lens Cover 7 Glass Lens Cover	Lumen Type F 30,000 Lumens H 36,000 Lumens L 48,000 Lumens N 60,000 Lumens	Hardware N No Option	Battery N No Options
Beam Distribution 4 NEMA 4 6 NEMA 6 7 NEMA 7x6 F Asymmetric <small>*For Asymmetric beam distribution either a PC or Glass lens cover must be included</small>			

WARNING - INSTALLATION & SECONDARY RETENTION. Use of any Dialight products without proper installation (including secondary retention / netting) and periodic inspections could cause severe injury or death. Dialight recommends that all installations should use secondary retention / netting (appropriate to the installation environment) where applicable. It is the exclusive responsibility of the contractor, installer and/or end-user to: (a) determine the suitability of the product for its intended application; and, (b) ensure that the product is safely installed (with secondary retention / netting where appropriate) and in compliance with all applicable laws and regulations. To the extent permissible under applicable laws, Dialight disclaims all liability for personal injury and/or other damage resulting from any dislodgment or other dislocation of its products.

Ordering Information

ProSite LED Floodlight - UL / CSA



Industrial - UL 1598 / CSA							
Part Number	Fixture Lumens	Wattage	lm/W	Voltage	CCT	Lens	Beam Distribution
36,000lm Models							
F2U-N7B2-HDEN-VGN	37,500	234	160	120-277VAC / 120-250VDC	5000k (cool white)	Integrated PC	NEMA 7x6
F2U-N6B2-HDEN-VGN	37,500	234	160	120-277VAC / 120-250VDC	5000k (cool white)	Integrated PC	NEMA 6
F2U-N4B2-HDEN-VGN	37,500	234	160	120-277VAC / 120-250VDC	5000k (cool white)	Integrated PC	NEMA 4
F2U-N7B5-HDEN-VGN	37,500	241	155	347-480VAC	5000k (cool white)	Integrated PC	NEMA 7x6
F2U-N6B5-HDEN-VGN	37,500	241	155	347-480VAC	5000k (cool white)	Integrated PC	NEMA 6
F2U-N4B5-HDEN-VGN	37,500	241	155	347-480VAC	5000k (cool white)	Integrated PC	NEMA 4
48,000lm Models							
F2U-N7B8-LDEN-VGN	51,000	346	147	120-277VAC / 120-250VDC	5000k (cool white)	Integrated PC	NEMA 7x6
F2U-N6B8-LDEN-VGN	51,000	346	147	120-277VAC / 120-250VDC	5000k (cool white)	Integrated PC	NEMA 6
F2U-N4B8-LDEN-VGN	51,000	346	147	120-277VAC / 120-250VDC	5000k (cool white)	Integrated PC	NEMA 4
F2U-N7B9-LDEN-VGN	51,000	357	143	347-480VAC	5000k (cool white)	Integrated PC	NEMA 7x6
F2U-N6B9-LDEN-VGN	51,000	357	143	347-480VAC	5000k (cool white)	Integrated PC	NEMA 6
F2U-N4B9-LDEN-VGN	51,000	357	143	347-480VAC	5000k (cool white)	Integrated PC	NEMA 4
60,000lm Models							
F2U-N7B8-NDEN-VGN	65,000	484	134	120-277VAC / 120-250VDC	5000k (cool white)	Integrated PC	NEMA 7x6
F2U-N6B8-NDEN-VGN	65,000	484	134	120-277VAC / 120-250VDC	5000k (cool white)	Integrated PC	NEMA 6
F2U-N4B8-NDEN-VGN	65,000	484	134	120-277VAC / 120-250VDC	5000k (cool white)	Integrated PC	NEMA 4
F2U-7FB8-NDEN-VGN	60,100	484	124	120-277VAC / 120-250VDC	5000k (cool white)	Glass	Asymmetric
F2U-N7B9-NDEN-VGN	65,000	499	130	347-480VAC	5000k (cool white)	Integrated PC	NEMA 7x6
F2U-N6B9-NDEN-VGN	65,000	499	130	347-480VAC	5000k (cool white)	Integrated PC	NEMA 6
F2U-N4B9-NDEN-VGN	65,000	499	130	347-480VAC	5000k (cool white)	Integrated PC	NEMA 4
F2U-7FB9-NDEN-VGN	60,100	499	120	347-480VAC	5000k (cool white)	Glass	Asymmetric

All values typical unless otherwise stated (tolerance +/- 10%).

See ordering information chart for additional options.

Part numbers listed in **bold** are typically available in stock.

Mounting Bracket - Angled Bracket supplied as standard.

DISCLAIMER. All product information provided is, to the best of Dialight's knowledge, accurate as of the date of publication. When ordering, refer to www.dialight.com for current versions of: (a) relevant product documentation (including the relevant product data sheets); (b) Dialight terms and conditions of sale; and, (c) the relevant product warranty. To the extent that any contract is deemed formed between Dialight and the purchaser of Dialight products and/or an end-user, versions of documents available at www.dialight.com as at the date of sale shall be the versions incorporated therein. In the event of any discrepancy between this document or information provided at www.dialight.com, the latter shall prevail.

Ordering Information

ProSite LED Floodlight - UL / CSA



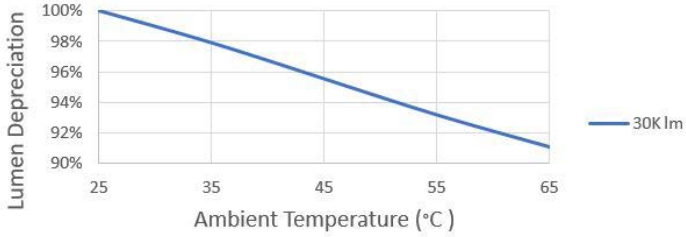
Hazardous - UL844 CID2, CIID2, CIII							
Part Number	Fixture Lumens	Wattage	lm/W	Voltage	CCT	Lens	Beam Distribution
36,000lm Models							
F2D-77B2-HDEN-VGN	35,400	234	151	120-277VAC / 120-250VDC	5000k (cool white)	Glass	NEMA 7x6
F2D-76B2-HDEN-VGN	35,400	234	151	120-277VAC / 120-250VDC	5000k (cool white)	Glass	NEMA 6
F2D-74B2-HDEN-VGN	35,400	234	151	120-277VAC / 120-250VDC	5000k (cool white)	Glass	NEMA 4
F2D-77B5-HDEN-VGN	35,400	241	147	347-480VAC	5000k (cool white)	Glass	NEMA 7x6
F2D-76B5-HDEN-VGN	35,400	241	147	347-480VAC	5000k (cool white)	Glass	NEMA 6
F2D-74B5-HDEN-VGN	35,400	241	147	347-480VAC	5000k (cool white)	Glass	NEMA 4
48,000lm Models							
F2D-77B2-LDEN-VGN	48,200	346	139	120-277VAC / 120-250VDC	5000k (cool white)	Glass	NEMA 7x6
F2D-76B2-LDEN-VGN	48,200	346	139	120-277VAC / 120-250VDC	5000k (cool white)	Glass	NEMA 6
F2D-74B2-LDEN-VGN	48,200	346	139	120-277VAC / 120-250VDC	5000k (cool white)	Glass	NEMA 4
F2D-77B5-LDEN-VGN	48,200	357	135	347-480VAC	5000k (cool white)	Glass	NEMA 7x6
F2D-76B5-LDEN-VGN	48,200	357	135	347-480VAC	5000k (cool white)	Glass	NEMA 6
F2D-74B5-LDEN-VGN	48,200	357	135	347-480VAC	5000k (cool white)	Glass	NEMA 4
60,000lm Models							
F2D-77B2-NDEN-VGN	61,400	484	127	120-277VAC / 120-250VDC	5000k (cool white)	Glass	NEMA 7x6
F2D-76B2-NDEN-VGN	61,400	484	127	120-277VAC / 120-250VDC	5000k (cool white)	Glass	NEMA 6
F2D-74B2-NDEN-VGN	61,400	484	127	120-277VAC / 120-250VDC	5000k (cool white)	Glass	NEMA 4
F2D-77B5-NDEN-VGN	61,400	499	123	347-480VAC	5000k (cool white)	Glass	NEMA 7x6
F2D-76B5-NDEN-VGN	61,400	499	123	347-480VAC	5000k (cool white)	Glass	NEMA 6
F2D-74B5-NDEN-VGN	61,400	499	123	347-480VAC	5000k (cool white)	Glass	NEMA 4
F2D-77B5-NDEN-VGN	60,100	484	124	120-277VAC / 120-250VDC	5000k (cool white)	Glass	Asymmetric
Hazardous - UL844 CIID1							
Part Number	Fixture Lumens	Wattage	lm/W	Voltage	CCT	Lens	Beam Distribution
30,000lm Models							
F2F-77B2-FDEN-VGN	30,200	200	151	120-277VAC / 120-250VDC	5000k (cool white)	Glass	NEMA 7x6
F2F-76B2-FDEN-VGN	30,200	200	151	120-277VAC / 120-250VDC	5000k (cool white)	Glass	NEMA 6
F2F-74B2-FDEN-VGN	30,200	200	151	120-277VAC / 120-250VDC	5000k (cool white)	Glass	NEMA 4
F2F-77B5-FDEN-VGN	30,200	206	147	347-480VAC	5000k (cool white)	Glass	NEMA 7x6
F2F-76B5-FDEN-VGN	30,200	206	147	347-480VAC	5000k (cool white)	Glass	NEMA 6
F2F-74B5-FDEN-VGN	30,200	206	147	347-480VAC	5000k (cool white)	Glass	NEMA 4
36,000lm Models							
F2F-77B2-HDEN-VGN	35,400	234	151	120-277VAC / 120-250VDC	5000k (cool white)	Glass	NEMA 7x6
F2F-76B2-HDEN-VGN	35,400	234	151	120-277VAC / 120-250VDC	5000k (cool white)	Glass	NEMA 6
F2F-74B2-HDEN-VGN	35,400	234	151	120-277VAC / 120-250VDC	5000k (cool white)	Glass	NEMA 4
F2F-77B5-HDEN-VGN	35,400	241	147	347-480VAC	5000k (cool white)	Glass	NEMA 7x6
F2F-76B5-HDEN-VGN	35,400	241	147	347-480VAC	5000k (cool white)	Glass	NEMA 6
F2F-74B5-HDEN-VGN	35,400	241	147	347-480VAC	5000k (cool white)	Glass	NEMA 4

All values typical unless otherwise stated (tolerance +/- 10%).
 See ordering information chart for additional options.
 Mounting Bracket - Angled Bracket supplied as standard.

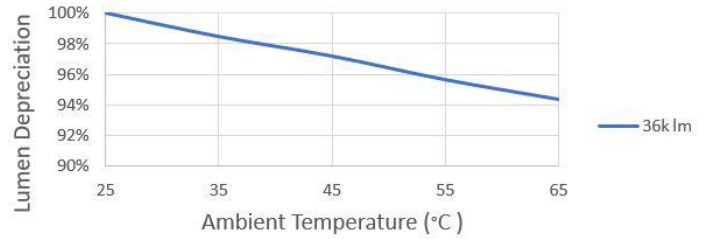
DISCLAIMER. All product information provided is, to the best of Dialight's knowledge, accurate as of the date of publication. When ordering, refer to www.dialight.com for current versions of: (a) relevant product documentation (including the relevant product data sheets); (b) Dialight terms and conditions of sale; and, (c) the relevant product warranty. To the extent that any contract is deemed formed between Dialight and the purchaser of Dialight products and/or an end-user, versions of documents available at www.dialight.com as at the date of sale shall be the versions incorporated therein. In the event of any discrepancy between this document or information provided at www.dialight.com, the latter shall prevail.

Thermal Roll-Off

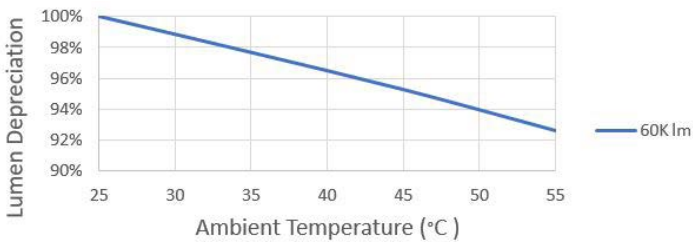
F1 30klm @ 277V



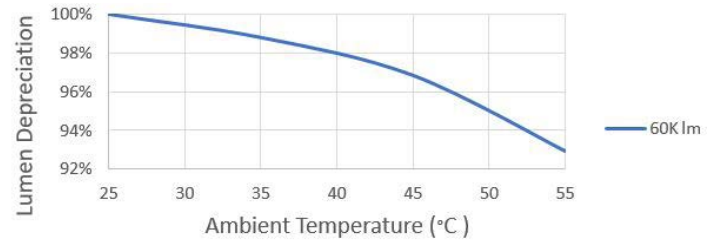
F2 36klm @ 277V



F2 60klm @277V



F2 60klm @ 480V



DISCLAIMER. All product information provided is, to the best of Dialight's knowledge, accurate as of the date of publication. When ordering, refer to www.dialight.com for current versions of: (a) relevant product documentation (including the relevant product data sheets); (b) Dialight terms and conditions of sale; and, (c) the relevant product warranty. To the extent that any contract is deemed formed between Dialight and the purchaser of Dialight products and/or an end-user, versions of documents available at www.dialight.com as at the date of sale shall be the versions incorporated therein. In the event of any discrepancy between this document or information provided at www.dialight.com, the latter shall prevail.

In Rush Current

Lumen Output	In rush current @ input voltage				Time duration of in rush current @ input voltage			
	120 VAC	277 VAC	347 VAC	480 VAC	120 VAC	277 VAC	347 VAC	480 VAC
60,000	15	36	8	11	1.5mS	1.5ms	.9ms	.9ms
48,000	15	36	8	11	1.5mS	1.5ms	.9ms	.9ms
36,000	8	18	4	6	1.5mS	1.5ms	.9ms	.9ms
30,000	8	18	4	6	1.5mS	1.5ms	.9ms	.9ms
24,000	8	18	4	6	1.5mS	1.5ms	.9ms	.9ms
18,000	8	18	4	6	1.5mS	1.5ms	.9ms	.9ms
12,000	8	18	4	6	1.5mS	1.5ms	.9ms	.9ms
Amber 24,000	15	36	8	11	1.5mS	1.5ms	.9ms	.9ms
Amber 12,000	8	18	4	6	1.5mS	1.5ms	.9ms	.9ms

Maximum per Circuit Breaker

120 VAC			
Lumen Output	C10	B16	C16
60,000	2	3	3
48,000	2	4	4
36,000	3	5	5
30,000 (F2)	4	6	6
30,000 (F1)	3	5	5
24,000	4	7	7
18,000	6	10	10
12,000	10	16	16
Amber 24,000	2	3	3
Amber 12,000	3	6	6

277 VAC		
C10	B16	C16
3	5	5
5	8	8
7	11	11
8	13	13
7	11	11
9	15	15
13	21	21
20	32	32
4	6	6
7	12	12

347 VAC			
Lumen Output	C10	B16	C16
60,000	5	7	7
48,000	6	10	10
36,000	10	15	15
30,000 (F2)	11	18	18
30,000 (F1)	10	15	15
24,000	13	20	20
18,000	18	28	28
12,000	27	43	43
Amber 24,000	5	8	8
Amber 12,000	10	16	16

480 VAC		
C10	B16	C16
6	9	9
8	13	13
12	19	19
14	22	22
12	19	19
16	25	25
22	35	35
34	54	54
6	10	10
12	20	20

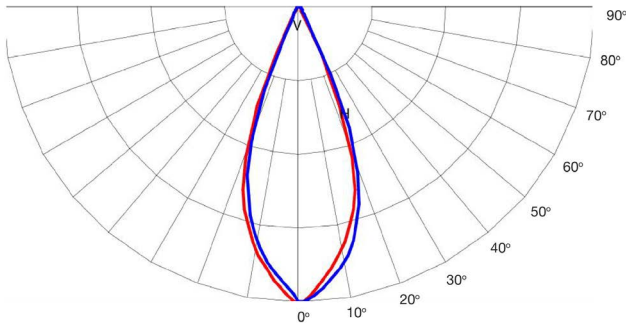
DISCLAIMER. All product information provided is, to the best of Dialight's knowledge, accurate as of the date of publication. When ordering, refer to www.dialight.com for current versions of: (a) relevant product documentation (including the relevant product data sheets); (b) Dialight terms and conditions of sale; and, (c) the relevant product warranty. To the extent that any contract is deemed formed between Dialight and the purchaser of Dialight products and/or an end-user, versions of documents available at www.dialight.com as at the date of sale shall be the versions incorporated therein. In the event of any discrepancy between this document or information provided at www.dialight.com, the latter shall prevail.

Earth Leakage (Normal & Fault)

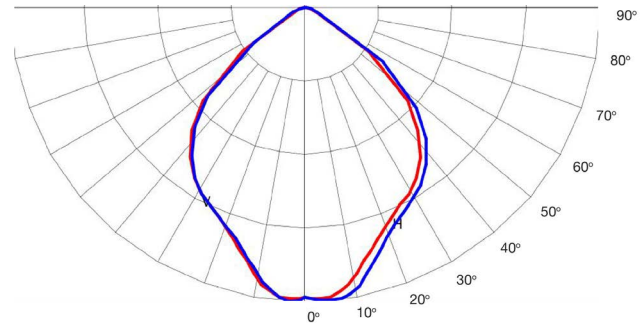
Voltage	Normal (uAmps)	Live-Neutral reversed (uAmps)	Normal open (uAmps)	Live open (uAmps)
F1xxxx2FxxNxGN Model - 30klm, 120-277 VAC				
120V/60Hz	252	255	395	0
230V/50Hz	353	356	642	0
277V/60Hz	510	517	920	0
F2xxxx2NxxNxGN Model - 60klm, 120-277 VAC				
120V/60Hz	488	480	808	0
230V/50Hz	694	698	1304	0
277V/60Hz	995	991	1859	0
F1xxxx5FxxNxGN Model - 30klm, 347-480 VAC (347V tests :single phase power source with L2 as the Neutral conductor)				
347V/60Hz	583	580	0	974
480V/60Hz	510	514	770	770
F2xxxx5NxxNxGN Model - 60klm, 347-480 VAC (347V tests :single phase power source with L2 as the Neutral conductor)				
347V/60Hz	980	995	0	1616
480V/60Hz	791	790	1268	1273

Beam Distribution

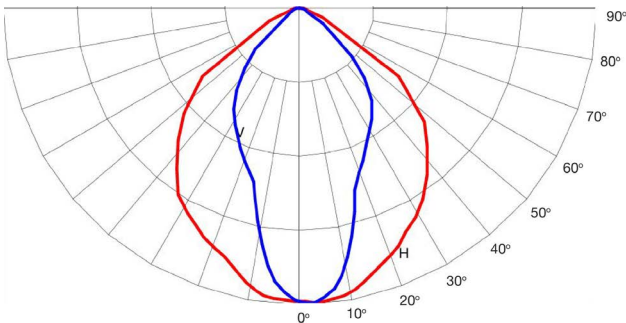
NEMA 4



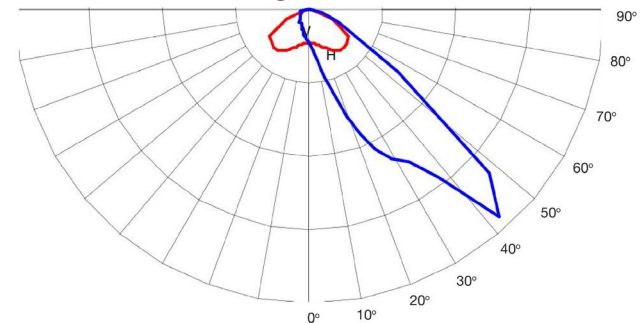
NEMA 6



NEMA 7x6



Asymmetric



DISCLAIMER. All product information provided is, to the best of Dialight's knowledge, accurate as of the date of publication. When ordering, refer to www.dialight.com for current versions of: (a) relevant product documentation (including the relevant product data sheets); (b) Dialight terms and conditions of sale; and, (c) the relevant product warranty. To the extent that any contract is deemed formed between Dialight and the purchaser of Dialight products and/or an end-user, versions of documents available at www.dialight.com as at the date of sale shall be the versions incorporated therein. In the event of any discrepancy between this document or information provided at www.dialight.com, the latter shall prevail.

Lumen Maintenance Factor - F1

F1 Floodlight 12k lm (Hours)									
Ambient	0	15000	30000	45000	60000	75000	90000	100000	150000
25°C	100%	98%	97%	96%	96%	95%	94%	93%	91%
30°C	99%	97%	96%	95%	95%	94%	93%	92%	90%
35°C	98%	96%	96%	95%	95%	94%	93%	92%	90%
40°C	98%	96%	95%	94%	94%	93%	92%	91%	89%
45°C	97%	95%	94%	93%	93%	92%	91%	90%	88%
50°C	96%	94%	94%	93%	93%	92%	91%	90%	88%
55°C	96%	94%	93%	92%	91%	90%	90%	89%	87%
60°C	95%	93%	92%	91%	91%	90%	89%	89%	86%
65°C	94%	92%	92%	91%	90%	89%	88%	88%	85%

F1 Floodlight 30k lm (Hours)									
Ambient	0	15000	30000	45000	60000	75000	90000	100000	150000
25°C	100%	98%	95%	93%	91%	89%	87%	85%	79%
30°C	99%	97%	94%	92%	90%	88%	86%	84%	78%
35°C	98%	96%	93%	91%	89%	87%	85%	83%	77%
40°C	97%	94%	92%	90%	88%	85%	83%	82%	76%
45°C	96%	93%	91%	88%	86%	84%	82%	81%	74%
50°C	94%	92%	90%	87%	85%	83%	81%	79%	72%
55°C	93%	91%	88%	86%	84%	81%	79%	78%	71%
60°C	92%	90%	87%	85%	82%	80%	78%	76%	70%
65°C	91%	88%	86%	84%	81%	79%	77%	75%	68%

DISCLAIMER. All product information provided is, to the best of Dialight's knowledge, accurate as of the date of publication. When ordering, refer to www.dialight.com for current versions of: (a) relevant product documentation (including the relevant product data sheets); (b) Dialight terms and conditions of sale; and, (c) the relevant product warranty. To the extent that any contract is deemed formed between Dialight and the purchaser of Dialight products and/or an end-user, versions of documents available at www.dialight.com as at the date of sale shall be the versions incorporated therein. In the event of any discrepancy between this document or information provided at www.dialight.com, the latter shall prevail.

Lumen Maintenance Factor - F2

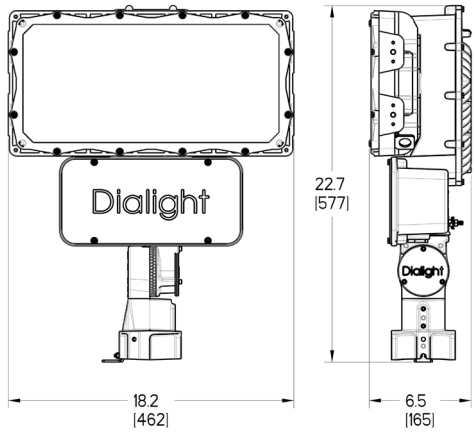
F2 Floodlight 36k lm (Hours)									
Ambient	0	15000	30000	45000	60000	75000	90000	100000	150000
25°C	100%	98%	97%	96%	96%	95%	94%	93%	91%
30°C	99%	97%	96%	96%	95%	94%	93%	93%	90%
35°C	98%	97%	96%	95%	94%	93%	92%	92%	89%
40°C	98%	96%	95%	94%	93%	93%	92%	91%	89%
45°C	97%	95%	94%	94%	93%	92%	91%	91%	88%
50°C	96%	94%	94%	93%	92%	91%	90%	90%	87%
55°C	96%	94%	93%	92%	91%	90%	90%	89%	87%
60°C	95%	93%	92%	91%	91%	90%	89%	88%	86%
65°C	94%	92%	92%	91%	90%	89%	88%	88%	85%

F2 Floodlight 60k lm (Hours)									
Ambient	0	15000	30000	45000	60000	75000	90000	100000	150000
25°C	100%	98%	95%	93%	91%	89%	87%	85%	79%
30°C	99%	96%	94%	92%	90%	88%	86%	84%	78%
35°C	98%	95%	93%	91%	88%	86%	84%	83%	76%
40°C	96%	94%	92%	89%	87%	85%	83%	81%	75%
45°C	95%	93%	90%	88%	86%	83%	81%	80%	73%
50°C	94%	91%	89%	87%	84%	82%	80%	78%	72%
55°C	93%	90%	88%	85%	83%	80%	78%	77%	70%

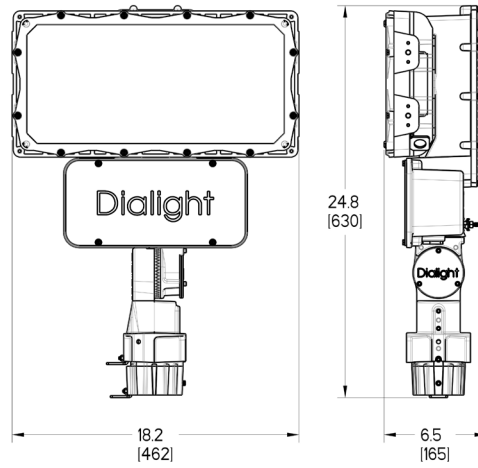
DISCLAIMER. All product information provided is, to the best of Dialight's knowledge, accurate as of the date of publication. When ordering, refer to www.dialight.com for current versions of: (a) relevant product documentation (including the relevant product data sheets); (b) Dialight terms and conditions of sale; and, (c) the relevant product warranty. To the extent that any contract is deemed formed between Dialight and the purchaser of Dialight products and/or an end-user, versions of documents available at www.dialight.com as at the date of sale shall be the versions incorporated therein. In the event of any discrepancy between this document or information provided at www.dialight.com, the latter shall prevail.

Dimensional Drawings

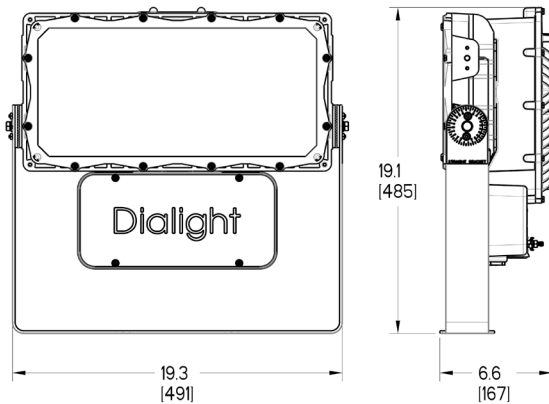
F1 Slipfitter Bracket - UL 1598/A



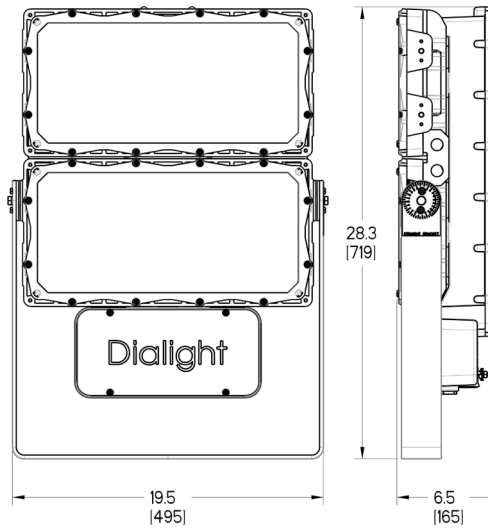
F1 Slipfitter Bracket - UL 844 (CID2 Only)



F1 Straight Bracket



F2 Straight Bracket

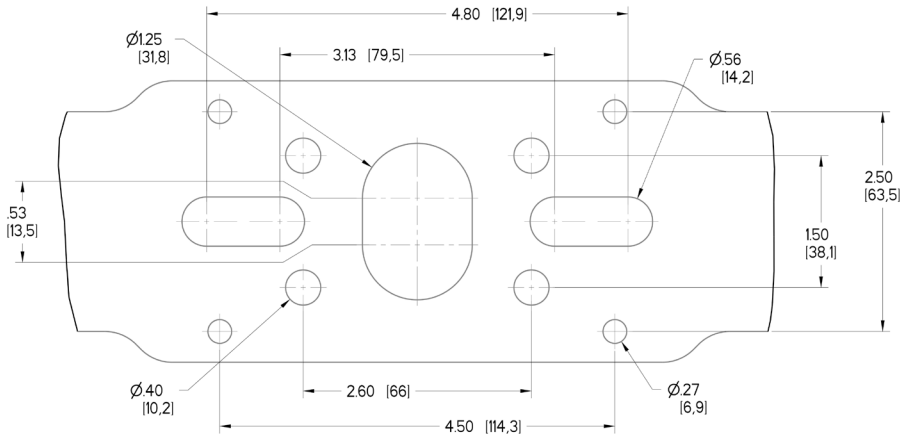


Dimensions in inches [mm]

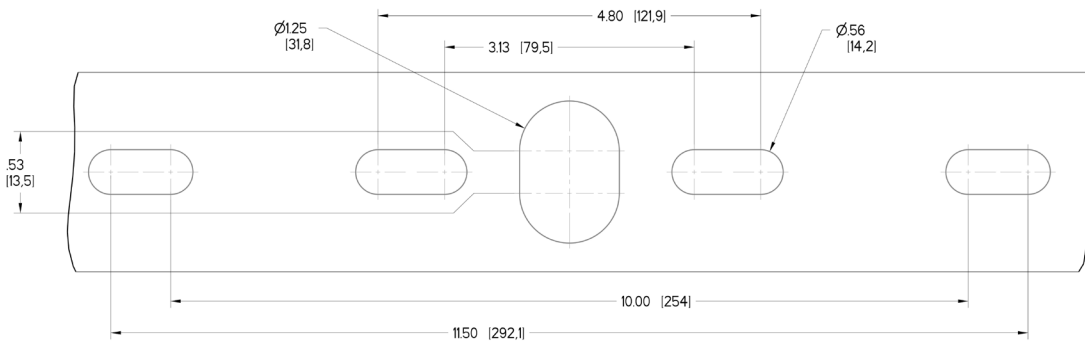
DISCLAIMER. All product information provided is, to the best of Dialight's knowledge, accurate as of the date of publication. When ordering, refer to www.dialight.com for current versions of: (a) relevant product documentation (including the relevant product data sheets); (b) Dialight terms and conditions of sale; and, (c) the relevant product warranty. To the extent that any contract is deemed formed between Dialight and the purchaser of Dialight products and/or an end-user, versions of documents available at www.dialight.com as at the date of sale shall be the versions incorporated therein. In the event of any discrepancy between this document or information provided at www.dialight.com, the latter shall prevail.

Dimensional Drawings

F1 Mounting Bracket



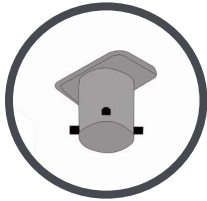
F2 Mounting Bracket



Dimensions in inches [mm]

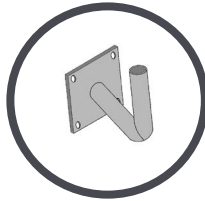
DISCLAIMER. All product information provided is, to the best of Dialight's knowledge, accurate as of the date of publication. When ordering, refer to www.dialight.com for current versions of: (a) relevant product documentation (including the relevant product data sheets); (b) Dialight terms and conditions of sale; and, (c) the relevant product warranty. To the extent that any contract is deemed formed between Dialight and the purchaser of Dialight products and/or an end-user, versions of documents available at www.dialight.com as at the date of sale shall be the versions incorporated therein. In the event of any discrepancy between this document or information provided at www.dialight.com, the latter shall prevail.

Mounting Accessories - Gray



FLX-1TPT-20LG¹

- Tenon pole topper, 2-3/8" mount
- Kit includes: Tenon topper, pole set screws



FLX-1RAB-20LG

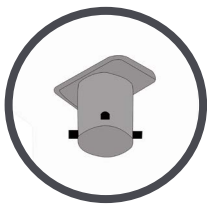
- Right angle mounting bracket for 2-3/8" light mount
- Kit includes: Right angle bracket



FLX-2LBH-20LG

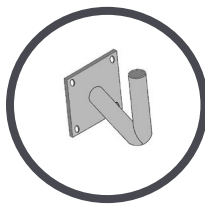
- Bull horn for 2 lights, 2-3/8" mount, 21" spacing
- Kit includes: Bull horn, pole set screws

Mounting Accessories - Bronze



FLX-1TPT-20DB¹

- Tenon pole topper, 2-3/8" mount
- Kit includes: Tenon topper, pole set screws



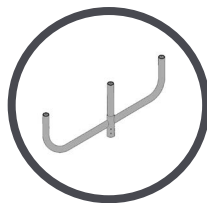
FLX-1RAB-20DB

- Right angle mounting bracket for 2-3/8" light mount
- Kit includes: Right angle bracket



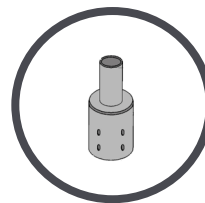
FLX-2LBH-20DB

- Bull horn for 2 lights, 2-3/8" mount, 21" spacing
- Kit includes: Bull horn, pole set screws



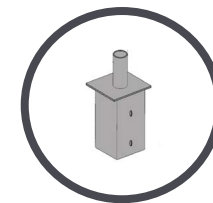
FLX-3LBH-20DB

- Bull horn for 3 lights, 2-3/8" mount, 21" spacing
- Kit includes: Bull horn, pole set screws



**FLX-3RPA-20DB
FLX-4RPA-20DB**

- Reducer for 3" or 4" OD round pole top to 2-3/8" light mount
- Kit includes: Reducer pole set screws



**FLX-4SPA-20DB
FLX-5SPA-20DB
FLX-6SPA-20DB**

- Internal tenon adapter for 4", 5" or 6" square pole top to 2-3/8" light mount
- Kit includes: Adapter

Mounting accessories shown above are painted steel construction.

Accessories



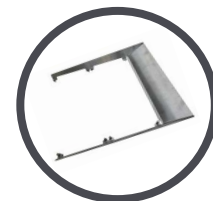
F1NVISOR

- F1 visor NEMA optics



F2NVISOR

- F2 visor NEMA optics



F2AVISOR

- F2 visor asymmetric optics

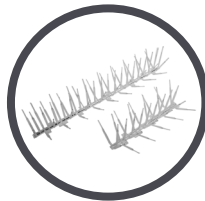


H6XCAB72²

- 72" stainless steel safety rope
- Kit includes: (1) cable

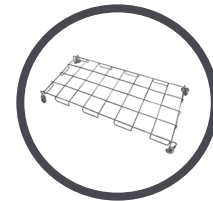
H6XCAB60²

- 60" stainless steel safety rope
- Kit includes: (1) cable



**F1SPIKES
F2SPIKES**

- Bird spikes



FLWG

- Wire guard
- Kit includes (1) assembly

¹Brackets and adapters require the tenon pole topper (FLX-1TPT-20DB/LG) to mount floodlight. Tenon pole topper sold separately.

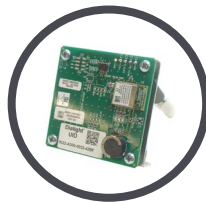
²F1 models require 1 cable per unit. F2 models require 2 cables per unit.

DISCLAIMER. All product information provided is, to the best of Dialight's knowledge, accurate as of the date of publication. When ordering, refer to www.dialight.com for current versions of: (a) relevant product documentation (including the relevant product data sheets); (b) Dialight terms and conditions of sale; and, (c) the relevant product warranty. To the extent that any contract is deemed formed between Dialight and the purchaser of Dialight products and/or an end-user, versions of documents available at www.dialight.com as at the date of sale shall be the versions incorporated therein. In the event of any discrepancy between this document or information provided at www.dialight.com, the latter shall prevail.

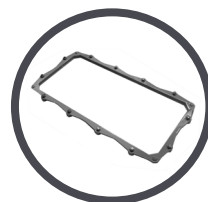
Replacements



- SLPC01R**
- Photocell, 105-305 VAC
- SLPC02R**
- Photocell, 312-382 VAC
- SLPC03R**
- Photocell, 432-528 VAC



- FLWIRELESS**
- Wireless controls card



- FLGLASSLG**
- Glass lens, gray
- FLGLASSLZ**
- Glass lens, bronze
- FLPCLG**
- Polycarb lens, gray
- FLPCLZ**
- Polycarb lens, bronze
- Kit includes (1) assembly



- FL10KV277**
- 10kV surge protection 100-277V
- FL10KV480**
- 10kV surge protection 347-480V

Replacement Power Supplies	
Part Number	Description
F1PS2B	100-277V Power Supply, 12k lm
F1PS2C	100-277V Power Supply, 18k lm
F1PS2E	100-277V Power Supply, 24k lm
F1PS2F	100-277V Power Supply, 30k lm
F2PS2H	100-277V Power Supply, 36k lm
F2PS2L	100-277V Power Supply, 48k lm
F2PS2N	100-277V Power Supply, 60k lm
F1PS5B	347-480V Power Supply, 12k lm
F1PS5C	347-480V Power Supply, 18k lm
F1PS5E	347-480V Power Supply, 24k lm
F1PS5F	347-480V Power Supply, 30k lm
F2PS5H	347-480V Power Supply, 36k lm
F2PS5L	347-480V Power Supply, 48k lm
F2PS5N	347-480V Power Supply, 60k lm

DISCLAIMER. All product information provided is, to the best of Dialight's knowledge, accurate as of the date of publication. When ordering, refer to www.dialight.com for current versions of: (a) relevant product documentation (including the relevant product data sheets); (b) Dialight terms and conditions of sale; and, (c) the relevant product warranty. To the extent that any contract is deemed formed between Dialight and the purchaser of Dialight products and/or an end-user, versions of documents available at www.dialight.com as at the date of sale shall be the versions incorporated therein. In the event of any discrepancy between this document or information provided at www.dialight.com, the latter shall prevail.

North American HQ

1501 Route 34 South
Farmingdale, NJ 07727

Tel: 732-919-3119

Fax: 732-751-5778

info@dialight.com

WARNING / DISCLAIMERS:

Installation & secondary retention. The use of this product without proper installation (including secondary retention / netting) and periodic inspections, could cause severe injury or death. Dialight recommends that all installations should use secondary retention / netting (appropriate to the installation environment) as applicable. Dialight products are intended for ultimate purchase, installation and operation by knowledgeable persons trained in the functional assessment, installation, use and maintenance of such products and all customers (including but not limited to end customers) are responsible for assessing the suitability of Dialight products for any given installation requirement. It is the exclusive responsibility of the contractor, installer and/or end-user to: (a) determine the suitability of the product for its intended application; and, (b) ensure that the product is safely installed (with secondary retention / netting as appropriate) and in compliance with all applicable laws and regulations.

Product specifications & warranties. All product information provided is, to the best of Dialight's knowledge, accurate as of the date of publication. All values and performance data herein are design or typical values when measured under laboratory conditions. The information herein is subject to change without notice. The products / software detailed herein are subject to applicable warranties and terms and conditions of use/purchase. Unless agreed otherwise in writing by an authorized representative of Dialight, Dialight does not represent that its products are fit for any particular purpose and accepts no liability for the installation and/or unauthorised use of its products. When ordering, refer to www.dialight.com for current versions of: (a) relevant product documentation (including relevant product data sheets); (b) Dialight terms and conditions of sale; and, (c) the relevant product warranties. To the extent that any contract is deemed formed between Dialight and the purchaser of Dialight products and/or an end-user, versions of documents available at www.dialight.com as at the date of sale shall be the versions incorporated therein. In the event of any discrepancy between this document and information provided at www.dialight.com, the latter shall prevail.

Exclusion of liability. To the extent permissible under the relevant law, Dialight disclaims all liability for personal injury and/or other damage resulting from any dislodgment or other dislocation of its products. Whilst Dialight has used its reasonable endeavours to ensure the completeness and accuracy of information herein, Dialight does not assume any liability for damages resulting from use of this information or for any third-party representations made in relation to Dialight products.