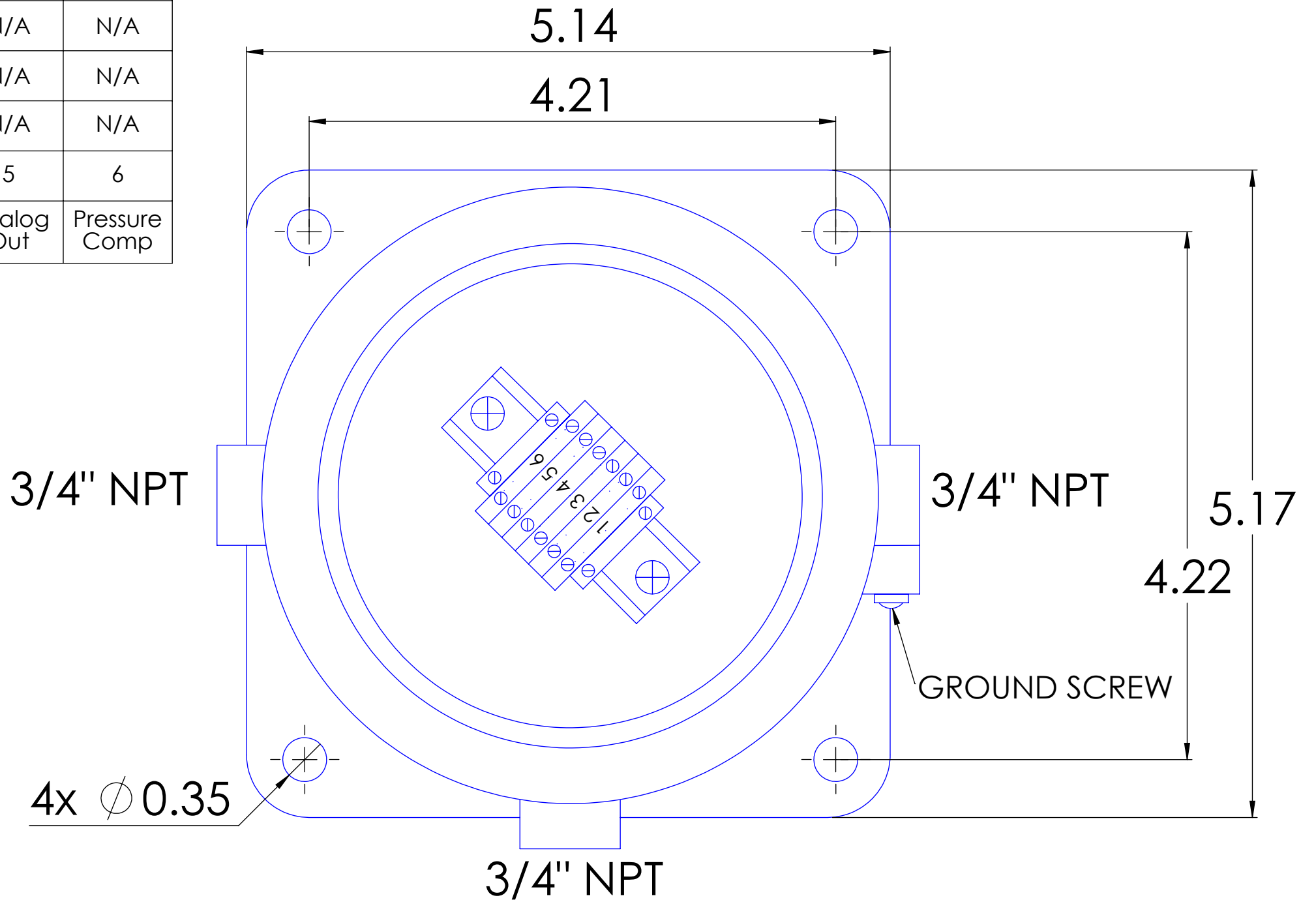


	Black	Red	Blue	White	Yellow	Brown
SEC 3000	1	2	3	4	N/A	N/A
SEC IREvolution	1	2	3	4	N/A	N/A
SEC Millenium	1	2	3	4	N/A	N/A
SEC Signature	1	2	3	4	N/A	N/A
SEC Signature DIR	1	2	3	4	5	6
	-	+	Analog Out	Comm	Analog Out	Pressure Comp


REVISIONS			
REV.	DESCRIPTION	DATE	ECO
1	INITIAL ENGINEERING RELEASE	8/27/2019	JDE



NOTES:

- RATINGS:  
Class I, Div I Groups B, C & D  
Ex d IIC GB
- TERMINALS: 6
- HEIGHT: 4.11" COVER INSTALLED
- GROUND SCREW ALSO LOCATED UNDER TERMINAL BLOCK

(COMES WITH REMOVABLE 3/4 NPT PLUG HERE)

APPROVALS:	UNLESS OTHERWISE SPECIFIED:	NAME	DATE		Sensor Electronics Corp. 12730 Creek View Ave Savage, Minnesota 55378	
	DIMENSIONS ARE IN INCHES	DRAWN	J.ECKLEIN			8/2019
SCHMATIC	TOLERANCES:	CHECKED				
PWB RAW	FRACTIONAL ±	MFG APPR.				
CERT DWG	ANGULAR: MACH ±1° BEND ±	Q.A.				
CERT DWG 2	TWO PLACE DECIMAL ±.010	<b>PROPRIETARY AND CONFIDENTIAL</b> THE INFORMATION CONTAINED IN THIS DRAWING IS THE SOLE PROPERTY OF SENSOR ELECTRONICS CORP. ANY REPRODUCTION IN PART OR AS A WHOLE WITHOUT THE WRITTEN PERMISSION OF SENSOR ELECTRONICS CORP. IS PROHIBITED.		TITLE:	KIT, SEC UNIVERSAL SNSR SEPA 3 ENTRY	
NEXT ASSY	THREE PLACE DECIMAL ±.005			SIZE	B	
USED ON	FINISH			DWG. NO.	1901007	
APPLICATION	DO NOT SCALE DRAWING			SCALE: 1:1	WEIGHT:	
					SHEET 1 OF 1	