

# **SEC MILLENIUM HAWK Hydrocarbon Gas Detector**

## **Instruction and Operation Manual**

**Sensor Electronics Corporation  
12730 Creek View Avenue  
Savage, Minnesota 55378 USA  
(952) 938-9486 Fax (952) 938-9617  
Email: [sales@sensorelectronic.com](mailto:sales@sensorelectronic.com) Web site [www.sensorelectronics.com](http://www.sensorelectronics.com)**

## Sensor Electronics Corporation

Sensor Electronics Corporation (SEC) designs and manufactures innovative fixed system gas detection equipment, for combustible gases, oxygen, carbon dioxide and toxic gases.

### Commitment

Our quality and service are uncompromising. We back each of our products with a two-year warranty on all materials and workmanship. We offer technical support, user training and on-site service and maintenance of equipment to meet the needs of our customers.

### Gas Detection Service

Individually designed maintenance packages are available for specific customer needs. Service begins with verification of the system installation that includes an initial system check and calibration. We then offer customer training programs (on-site and at factory) to ensure that technical personnel fully understand operation and maintenance procedures. When on-the-spot assistance is required, service representatives are available to handle any questions or problems immediately.

### WARRANTY

**SENSOR ELECTRONICS CORPORATION (SEC) WARRANTS PRODUCTS MANUFACTURED BY SEC TO BE FREE FROM DEFECTS IN WORKMANSHIP AND MATERIALS FOR A PERIOD OF TWO (2) YEARS FROM DATE OF SHIPMENT FROM THE FACTORY. ANY PARTS RETURNED FREIGHT PRE-PAID TO THE FACTORY AND FOUND DEFECTIVE WITHIN THE WARRANTY WOULD BE REPAIRED OR REPLACED, AT SEC'S OPTION. SEC WILL RETURN REPAIRED OR REPLACED EQUIPMENT PRE-PAID LOWEST COST FREIGHT. THIS WARRANTY DOES NOT APPLY TO ITEMS, WHICH BY THEIR NATURE ARE SUBJECT TO DETERIORATION OR CONSUMPTION IN NORMAL SERVICE. SUCH ITEMS MAY INCLUDE:**

**CHEMICAL SENSOR ELEMENTS  
FUSES AND BATTERIES.**

**WARRANTY IS VOIDED BY ABUSE INCLUDING ROUGH HANDLING, MECHANICAL DAMAGE, ALTERATION OR REPAIR. THIS WARRANTY COVERS THE FULL EXTENT OF SEC LIABILITY AND SEC IS NOT RESPONSIBLE FOR REMOVAL, REPLACEMENT COSTS, LOCAL REPAIR COSTS, TRANSPORTATION COSTS OR CONTINGENT EXPENSES INCURRED WITHOUT PRIOR WRITTEN APPROVAL. SENSOR ELECTRONICS CORPORATION'S OBLIGATION UNDER THIS WARRANTY SHALL BE LIMITED TO REPAIR OR REPLACEMENT OF ANY PRODUCT THAT HAS BEEN RETURNED TO SENSOR ELECTRONICS CORPORATION FOR WARRANTY CONSIDERATION. THIS WARRANTY IS EXPRESSLY IN LIEU OF ANY AND ALL OTHER WARRANTIES EXPRESSED OR IMPLIED, AND ALL OTHER OBLIGATIONS OR LIABILITIES ON THE PART OF SENSOR ELECTRONICS CORPORATION INCLUDING BUT NOT LIMITED TO, THE FITNESS FOR A PARTICULAR PURPOSE. IN NO EVENT SHALL SENSOR ELECTRONICS CORPORATION BE LIABLE FOR DIRECT, INCIDENTAL, OR CONSEQUENTIAL LOSS OR DAMAGE OF ANY KIND CONNECTED WITH THE USE OF IT'S PRODUCTS OR FAILURE TO FUNCTION OR OPERATE PROPERLY.**



WARNING: READ AND UNDERSTAND THE USER'S MANUAL BEFORE OPERATING OR SERVICING

LISEZ ET COMPRENEZ LE MANUEL DE L'UTILISATEUR AVANT D'UTILISER OU D'ENTREtenir



WARNING: OPEN CIRCUIT BEFORE REMOVING COVER  
OUVRIR LE CIRCUIT AVANT D'ENLEVER LE COUVERCLE



CAUTION: FOR SAFETY REASONS THIS EQUIPMENT MUST BE OPERATED AND SERVICED BY QUALIFIED PERSONEL ONLY  
ATTENTION : POUR DES RAISONS DE SÉCURITÉ, CET ÉQUIPEMENT DOIT ÊTRE UTILISÉ ET RÉPARÉ UNIQUEMENT PAR DU PERSONNEL QUALIFIÉ

## I. REVISION HISTORY

Rev	Date	Description of Change	Page
1	02/23/2023	Initial Engineering Release	All
2	08/04/2023	Update to conform to CSA/IEC 60079-29-1	All
3	08/07/2023	Update with Alan Petersen Changes	All

# II. TABLE OF CONTENTS

## Contents

I. REVISION HISTORY .....	3
II. TABLE OF CONTENTS .....	4
III. SPECIFICATIONS .....	5
IV. GENERAL DESCRIPTION .....	7
V. OPERATION .....	9
VI. CALIBRATION .....	12
VII. MAINTENANCE .....	14
VIII. PARTS LIST .....	15
IX. DRAWING SECTION .....	16
X. UNIT STATUS FLASH CODES .....	22
XI. UNIT ERROR CODES .....	24

### III. SPECIFICATIONS

**Model:**

Sensor Electronics Corporation SEC MILLENIUM HAWK Infrared Hydrocarbon Gas Detector

**Available gases:**

Methane	Hexane	Jet A	Toluene
Ethane	Diesel	Ethanol	P-Xylene
Ethylene	Gasoline	Methanol	Tert-Butyl Acetate
Ethylene Oxide	Green Earth	Butane	MEK
Propane	DF 2000	Hexane	

**NOTE:** This list is not all-inclusive. The SEC MILLENIUM HAWK can be calibrated for most hydrocarbons, provided a calibration gas is available. For more please contact Sensor Electronics Corporation.

**NOTE:** The SEC MILLENIUM HAWK is only 100% accurate to the target gas on the label. It will not accurately read other gasses but may still respond to them. The SEC MILLENIUM HAWK is meant to be a single gas sensor.

**Detection Method:**

Diffusion

Optional sample draw (requires a minimum of 1 liter per minute flow rate)

**Output (analog):**

4-20 mA (Source type), max. 1000 Ohm load at 24 VDC supply voltage

**Response Time:**

Standalone

T50 < 5 seconds

T90 < 10 seconds

Connected to 3100

T50 < 6 seconds

T90 < 11 seconds

Connected to 3120

T50 < 6 seconds

T90 < 11 seconds

**Construction:**

316 Stainless Steel

Or

6061 Aluminum (Anodized)

**Accuracy:**

+/- 3% LEL, 0 to 50% LEL (Lower Explosive Limit)

+/- 5% LEL, 51 to 100% LEL

**Operating Temperature Rating:**

-40° to +70°C at 0 to 99% RH (non-condensing)

**Operating Pressure:**

Performance tested to 11.6 PSIA to 17.4 PSIA (Pounds Per Squar Inch Absolute)

**Note:** Due to pressure induced gas density changes, the SEC MILLENIUM HAWK will have some deviation in its readings the further away from 14.7psia ambient pressure.

**Storage Conditions:**

SEC MILLENIUM HAWK Detector and Parts in Outlined in Section VIII: 0° to 40°C at 0 to 99% RH (non-condensing), 11.6 PSIA to 17.4 PSIA for 10 years

**Operating Voltage:**

24 VDC === Operating range: 18 to 32 VDC measured at the detector head

**Power Consumption:** 3.6 Watts Max.

**Current Draw:**

At 24 VDC Average: 85 mA      Peak: 150 mA

At 18 VDC Average: 135 mA      Peak: 200 mA

**Weight:**

5 lbs (2.3kg) Stainless Steel

2 lbs (0.9kg) Aluminum

**Approvals:**

Explosion Proof (Pending):      Class I, Division 1, Groups B, C and D, Temp T5; -40C to +70C

Combustible Gas Performance: C22.2 60079-29-1 (0-100% LEL Methane, Connected to SEC3100/3120)

(Pending)      UL 2075, Methane 0-100%LEL Only (Conforms to UL2075, Intertek Listed)  
(UL2075 Listing requires the use of the SEC3120 Transmitter)

IP 66 Rating

**Note:** IP ratings do not imply that the equipment will detect gas during and after exposure to those conditions. If the SEC MILLENIUM HAWK is exposed to powerful water jets, the optics must be cleaned as outlined in section VII and a calibration performed.

**Installation Category:** Cat. I, Pollution Degree 2

## IV. GENERAL DESCRIPTION

### CONVENTIONS

The following conventions are used in this manual.



Warning or Caution Statement

== VDC (DC Voltage)

### SEC MILLENIUM HAWK

The SEC MILLENIUM HAWK Infrared gas detector is a microprocessor based intelligent gas detector that continuously monitors combustible hydrocarbon gases and vapors within the Lower Flammable Limit (LFL).

The SEC MILLENIUM HAWK is ideally suited for use in harsh environments and where the cost of required maintenance for conventional catalytic detectors is prohibitive. The SEC MILLENIUM HAWK Infrared gas detector will perform reliably in the presence of silicone and other catalytic poisoning agents and can also operate in oxygen free environments or where high background gas levels are present. There are no known poisons that affect this technology.

The SEC MILLENIUM HAWK is a stand-alone device providing a continuous 4 to 20 mA output.

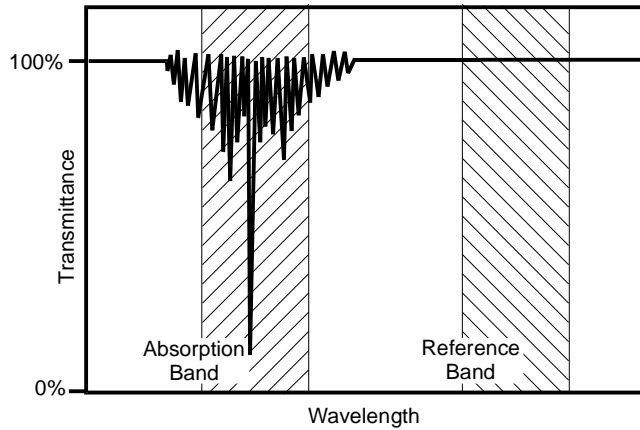
### Features

- Requires no routine calibration to ensure proper operation.
- Continuous self-test automatically indicates a fault, with fail to safe operation.
- A multi-layered filtering system protects optics from dirt and water ingress.
- Straight optical path eliminates the need for mirrors or reflective surfaces, such as mirrors or beam splitters.
- Performs well in the presence of high concentrations or constant background levels of hydrocarbons and in oxygen depleted atmospheres.
- Highly resistant to poisoning and etching.
- Standard 4 to 20 mA output (current source)
- Explosion proof housing designed for harsh environments.
- Smart Calibration AutoAC™ circuit.

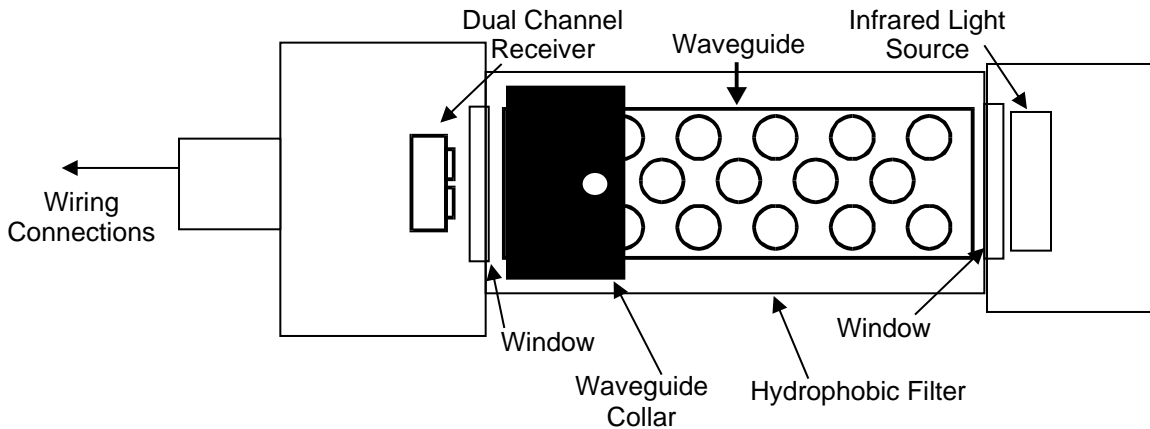
### Infrared Detection Technology

The SEC MILLENIUM HAWK Infrared gas detector uses infrared absorption technology for detecting combustible hydrocarbon gases. Gases absorb infrared light only at certain wavelengths. The concentration of a gas can be measured by the difference of two channels (wavelengths), a reference and a measurement (absorption) channel. The SEC MILLENIUM HAWK uses a collimated infrared light source that passes through a waveguide, at the end of the waveguide is a dual channel receiver. The dual channel receiver measures the intensity of two specific wavelengths, one at an absorption wavelength and another outside of the absorption wavelength. The gas concentration is determined by a comparison of these two values.

Infrared Absorption Spectrum for Methane



The dual channel receiver is a single wafer, double filtered, dual receiver with an internal optical barrier. The elements are perfectly matched resulting in overall stability and superior performance throughout the entire temperature range.



Using a dual channel receiver there is no need to use any special lenses or beam splitters to achieve the different measurement bands.

The SEC MILLENIUM HAWK utilizes a unique, patented feature; the AutoAC™ circuit. The AutoAC™ circuit is an automatic analog control circuit, which allows the SEC MILLENIUM HAWK to be calibrated for any combustible hydrocarbon, provided that a calibration quality level of the gas is available. This eliminates setting dipswitches or changing out sensors for different types of hydrocarbons, simply calibrate the unit with a calibration gas of the specific gas to be detected.

The optics can be easily disassembled for cleaning. This does not require powering the unit down and does not compromise the units' explosion proof rating. The device will self-compensate for dirty optics until a point in which the optical surfaces are completely obscured.

There are no consumable components contained in this product.

Due to the nature of IR technology, O<sub>2</sub> is not required to sense gas. The concentration of O<sub>2</sub> in the atmosphere does not affect the reading.



## V. OPERATION

### Installation and Startup



Warning: If the equipment is used in a manner not specified by the manufacturer, the protection provided by the equipment may be impaired.

The first step in the installation process is to establish a mounting location for the SEC MILLENIUM HAWK. Select a location that is typical of the atmosphere to be monitored or close to the anticipated source of a dangerous gas.

It is very important that the SEC MILLENIUM HAWK be properly located to enable it to provide maximum protection. The most effective number and placement of sensors vary depending on the conditions of the application. When determining where to locate sensors the following factors should be considered.

- What are the characteristics of the gas that is to be detected? Is it lighter or heavier than air? If it is lighter than air the sensor should be placed above the potential gas leak. Place the sensor close to the floor for gases that are heavier than air or for vapors resulting from flammable liquid spills. Note that air currents can cause a gas that is heavier than air to rise. In addition, if the temperature of the gas is hotter than ambient air or mixed with gases that are lighter than air, it could also rise.
- How rapidly will the gas diffuse into the ambient air? Select a location for the sensor that is close to the anticipated source of a gas leak.
- Wind or ventilation characteristics of the immediate area must also be considered. Movement of air may cause gas to accumulate more heavily in one area than in another. The detector should be placed in the areas where the most concentrated accumulation of gas is anticipated. For outdoor applications with strong wind conditions, it may require the sensors to be mounted closer together and on the downwind side, to the anticipated area of a gas leak. Also take into consideration for indoor applications, the fact that many ventilation systems do not operate continuously.
- The sensor should be accessible for maintenance.
- Excessive heat or vibration can cause premature failure of any electronic device and should be avoided if possible.
- Follow all national and local installation codes and practices.

The SEC MILLENIUM HAWK has a  $\frac{3}{4}$ " NPT threaded connector for mounting the detector to a junction box. SEC can provide a junction box with terminals for this purpose. A thread lubricant is recommended on the  $\frac{3}{4}$  NPT threads to prevent seizing in case of removal. The thread engagement shall be at least 5 full threads. Corrosion inhibiting grease may be used if it is non-setting and if earthing/grounding between the certified metallic junction box and detector is maintained.

The bonding connection on the cap of the detector must provide an effective connection for earthing/grounding. This is done by using a conductor of at least 4 mm<sup>2</sup>. It is acceptable to use suitable wiring lugs for installation if necessary. It is the user's responsibility to ensure that the earth continuity of the equipment is maintained via the mounting arrangement. Each Millenium comes with a nut and lock washer on the earth ground stud.

A user-supplied junction box can be used providing it has the appropriately sized NPT conduit entries. The junction box must be suitable for use in the application and location in which it is being installed.

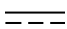
The detector may be mounted in either a horizontal or vertical orientation.

After the device has been installed, a zero calibration is required. Refer to the Calibration section of this manual.

#### Interfering Gasses:

Because the SEC MILLENIUM HAWK is an optical based detector, it cannot be poisoned. However, it will respond to many hydrocarbons other than what it has been calibrated to.

### **Wiring connections**

Red wire: 18 to 32 VDC 

Black wire: DC Common

Blue wire: 4 to 20 mA output

White wire: Smart Calibration Wire (data wire)

Earth Ground: Male 10-32 Stud on SEC Millennium cap, see figure 1.

### **Wire sizing:**

0 to 500 feet, recommended wire gauge size 16 AWG

500 feet is the maximum length of wire from the power supply to the SEC MILLENIUM HAWK

Shielded cable is recommended. Wiring should be installed in metal conduit with no other cabling in the same conduit.

### **Wire Temperature Rating:**

Greater than or equal to 70°C

### **Power Supply:**

The SEC MILLENIUM HAWK must be powered using a power supply rated for CAN/CSA C22.2 No. 61010-1-12 and ANSI/UL 61010-1 OR a class 2 power supply as defined in Canadian Electrical Code C22.1 Section 16-200 and/or National Electrical Code article 725.121.

### **Warmup**

When power is applied to the detector, it enters a one (1) minute warm-up mode. The output current will be 4.0 mA during the warmup period. At the end of the warm-up period with no faults present, the detector automatically enters the normal operating mode and continues to show 4 mA. If a fault is present after warm-up, the detector current output will indicate a fault. See the following chart for fault code status.

**Note:** After the SEC MILLENIUM HAWK has been installed and finished its warmup, wait at least 1 hour before issuing a zero calibration.

### **Normal**

In the normal operating mode, the 4-to-20 mA signal levels correspond to the detected gas concentration. The detector continuously checks for system faults or initiation of calibration and automatically changes to the appropriate mode. If the unit detects the measured gas has gone outside its operating range, it will display warning 140 on a SEC 3100/3120.

The 4 to 20 mA output of the SEC MILLENIUM HAWK is a non-isolated current source.

### **EOL Notification (End of Life)**

As required by the UL 2075 standard, after 10 years of run time, the SEC MILLENIUM HAWK displays warning 139 when connected to a SEC3100 or 3120 transmitter. This indicates that the unit has reached the end of its 10-year lifespan and should be replaced. The unit will continue to read gas until it is replaced. Contact SEC for more details.

## Current Output and Corresponding Status

<u>Current Output</u>	<u>Status.</u>
4-20 mA	Normal measuring mode
0.0 mA	Unit Fault
0.2 mA	Reference channel fault
0.4 mA	Analytical channel fault
4.0 mA	Unit warm up
1.0 mA	Optics fault
1.2 mA	Zero drift fault
1.6 mA	Calibration fault
2.0 mA	Unit spanning
2.2 mA	Unit zeroing
4.0 mA	Zero gas level (0%LEL)
5.6 mA	(10%LEL)
8.0 mA	(25%LEL)
12 mA	(50%LEL)
16 mA	(75%LEL)
20 mA	Full scale (100% LEL)
20.1- 21 mA	Over-range (> 100% LEL)

Once the fault is cleared the SEC MILLENIUM HAWK will automatically resume normal operation. See sections X and XI for more details on unit status and errors.

## VI. CALIBRATION

The SEC MILLENIUM HAWK is factory calibrated; zeroed and spanned. *Unlike catalytic sensors it does not require routine span gas calibration to ensure proper operation.*

The SEC MILLENIUM HAWK can be calibrated for almost any hydrocarbon using a calibration gas of the hydrocarbon that is to be detected (target gas). The SEC MILLENIUM HAWK is required to be spanned with gas only one time with the target gas. Typically, this is done at the factory, but it is possible to field span the device by either connecting the SEC MILLENIUM HAWK to a computer and using a software package provided by SEC or, by using a SEC transmitter (3100/3120). Please contact the factory for further details.

SEC can provide calibration kits to ensure that the user has all equipment required to do both a zero and span calibrations.

Calibration kits include the following:

- One 103 L cylinder of zero air or nitrogen
- One 103 L cylinder of the target span gas balance air or nitrogen
- One 1 LPM (Liter Per Minute) regulator for the gas cylinders
- Three feet of Tygon tubing

For example, if a 0-100% LEL methane calibration kit is required, the following would be sent:

- One 103 L cylinder of zero air or nitrogen
- One 103 L cylinder of the target span gas, 50%LEL Methane balance air or 12itrogen
- One 1 LPM (Liter Per Minute) regulator for the gas cylinders
- Three feet of Tygon tubing

Contact SEC for more details.

**NOTE: If a field span calibration is to be done, a zero calibration must occur first. Failure to do so my result in a fault or improper gas readings.**

### Zero Calibration:

A typical field calibration only requires the use of zero air (or 99.99% nitrogen). *If the sensor is in an area that is known to be free of hydrocarbon gases, then ambient air can be used as a zero reference.*

If zero air is used for the calibration, there is a fitting on the bottom of the sensor for a 1/8" ID tubing connection.

Before beginning calibration, connect the regulator to the zero air bottle and use the SEC MILLENIUM HAWK Insulation Tube to cover outer cylinder holes of the detector. Then, connect the zero air to the sensor's calibration port with the appropriate tubing. Open the zero air and let it flow for a minimum of 3 minutes. This time may need to be longer depending on the tube length from the gas bottle to the sensor. Contact SEC if unsure.

To enter into the calibration mode the calibration wire must be connected to DC common (common of the power supply) for ten (10) to twenty (20) seconds, upon release the sensor will automatically enter the zero calibration routine. The electronics will automatically adjust the sensor's signal to the new zero reference level. (Applying span gas is not necessary because of the SEC MILLENIUM HAWK's unique software algorithms). During the zero calibration, routine, the current output of the SEC MILLENIUM HAWK will go to 2.2 mA.

Although this can be accomplished manually, installation of a switch (contact closure) can accomplish the zeroing procedure. It is recommended that this switch be a momentary type switch to prevent it from inadvertently being left in the calibrate position. If after twenty (20) seconds the calibration lead has not been removed from common, the SEC MILLENIUM HAWK will ignore the signal and continue operation as normal.

If using a SEC3100 or SEC3120, consult the appropriate manual on how to issue the zero calibration.

If no span calibration or “bump” test is required, the insulation tube can be removed.

### **Span Calibration:**

With the insulation tube still covering outer cylinder holes and the tubing still connected to the bottom fitting of the SEC MILLENIUM HAWK, disconnect the regulator from zero air and connect it the calibration gas. Open the regulator and allow the calibration gas to flow for a minimum of 3 minutes. This time may need to be longer depending on the tube length from the gas bottle to the sensor. Contact SEC if unsure.

Using a SEC3100 or SEC3120, issue the span calibration. Consult the appropriate manual on how to issue the span calibration.

*The SEC MILLENIUM HAWK can be spanned in the field if the customer wishes to change the target hydrocarbon gas. Please contact factory for additional equipment information and pricing for SEC PC IR Link Package or a SEC Transmitter)*

### **Calibration Frequency**

#### **Function of environment**

The SEC Millenium HAWK requires a zero calibration after install. It is then recommended to zero the sensor 90 days (3 months) after installation, and then every 180 days (6 months). After each zero calibration the end user can perform a “bump” test with the span gas to make sure the sensor is reading accurately. If the user is satisfied with the result of the bump test, no span calibration is required.

## VII. MAINTENANCE

The SEC MILLENIUM HAWK does not normally require cleaning of the optics. However, if the unit is operating in a very dirty or dusty environment the optical path might become obscured. If the obscuration is severe enough to affect the unit's accuracy, the unit will activate an "Optics Fault" or "Zero Drift Fault".

To clear the fault, first try a calibration. If the calibration does not correct the fault condition, try to clean the optics.

### **Cleaning the Optics:**

The outer barrel (tube with two sets of holes) can be removed (unscrewed) to inspect the cleanliness of the hydrophobic filter. The hydrophobic filter is a Teflon coated stainless steel mesh that keeps moisture and particulates out of the optical path. A setscrew holds the filter to the MILLENIUM HAWK's housing. Once the hydrophobic filter is removed, the internal waveguide tube should be inspected for cleanliness.

The waveguide and waveguide collar can be removed by inserting rigid instruments such as Allen wrenches into one hole of the waveguide and one hole of the collar. Turning the two instruments in opposite directions will loosen the waveguide allowing the collar to be screwed down on to the waveguide until it can be removed from the SEC MILLENIUM HAWK housing. This will allow the windows of the SEC MILLENIUM HAWK to be cleaned.

Dust can be removed using compressed air. Hard or oily deposits can be removed using Isopropyl alcohol and cotton tipped swabs. Wipe any film or residue or film left by the alcohol on the windows with a clean dry cotton swab. The internal surface of the electro-polished wave-guide tube can be cleaned the same way. Be careful not to leave any particles of the cleaning swab in the waveguide. The waveguide holes can collect pieces of the cleaning swab.

After reassembling the unit (the waveguide and collar should be very tight to both ends of the SEC MILLENIUM HAWK housing after installation. Once the unit is completely reassembled and power is reapplied, the SEC MILLENIUM HAWK must be calibrated. Refer to the calibration section of this manual.

There is a video showing how to clean the optics on SEC's YouTube Channel:

<https://www.youtube.com/watch?v=T7h3-EN9lYk>

### **Checking Reaction Time:**

Checking a SEC MILLENIUM HAWK reaction time can be done by connecting the detector to the span gas as outlined in section **VICALIBRATION (CALIBRATION)**. The user must be close to the detector and use no more than 3 feet of hose. Using a stopwatch, measure the time it takes for the detector to reach 45%LEL or 90% of 50%LEL (T90 value). If this value is greater than 30s, an optics cleaning and calibration may be needed. See section **VICALIBRATION (CALIBRATION)** for this.

Refer to IEC 60079-29-2 for guidance on safe installation, use, and maintenance of this equipment.

## VIII. PARTS LIST

<b>Part Number</b>	<b>Description</b>
1420497	SEC MILLENIUM HAWK Replacement Hydrophobic Filter
1420297	SEC MILLENIUM HAWK Wave Guide Tube
1420570	SEC MILLENIUM HAWK Wave Guide Tube Collar

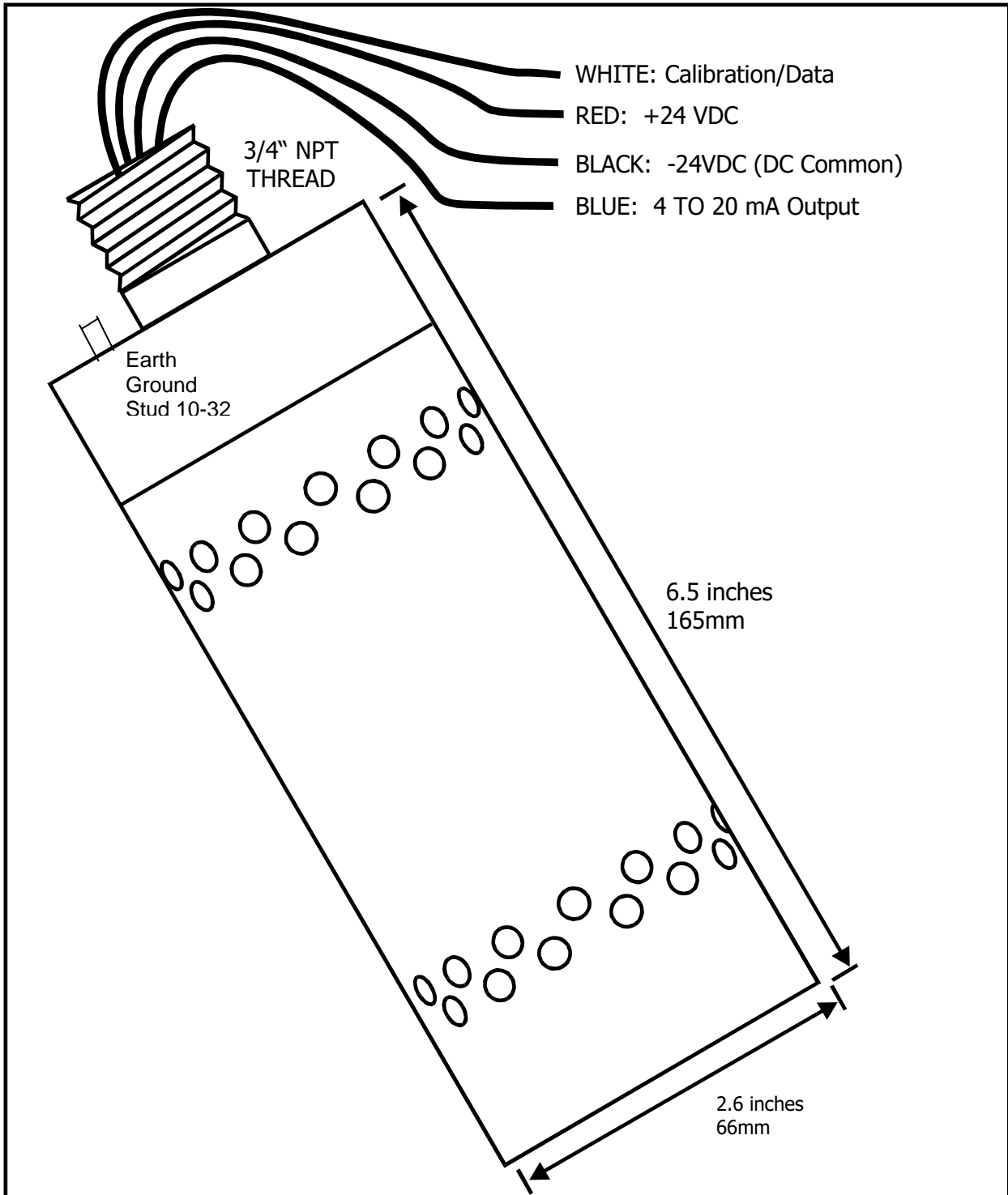
### **Accessories**

<b>Part Number</b>	<b>Description</b>
1420962	ADAPTOR KIT,IR SAMPLE DRAW (Used for sample draw applications, not required for performance approval)
1420877	SEC Insulation Tube (Not required for performance approval)
1582183	WEATHER GUARD ASSEMBLY,SEC MILLENIUM HAWK (Not required for performance approval)
1901007	KIT,SEC UNIVERSAL SNSR SEPA 3 ENTRY(Not required for performance approval)
1420636	SEC PC IR Link Kit (Not required for performance approval)

## IX. DRAWING SECTION

Figure #	Title
Figure 1	Wiring Diagram, SEC MILLENIUM HAWK
Figure 2	SEC Sensor Separation Kit
Figure 3	Weather Guard Assembly
Figure 4	Weather Guard Exploded View
Figure 5	Sample Draw Configuration





	Sensor Electronics Corporation 12730 Creek View Ave Savage, MN 55378 Tel: (952)938-9486 Fax: (952)938-9617 sales@sensorelectronics.com	<b>WIRING DIAGRAM MILLENNIUM HAWK SENSOR</b>
		<b>Figure 1</b>

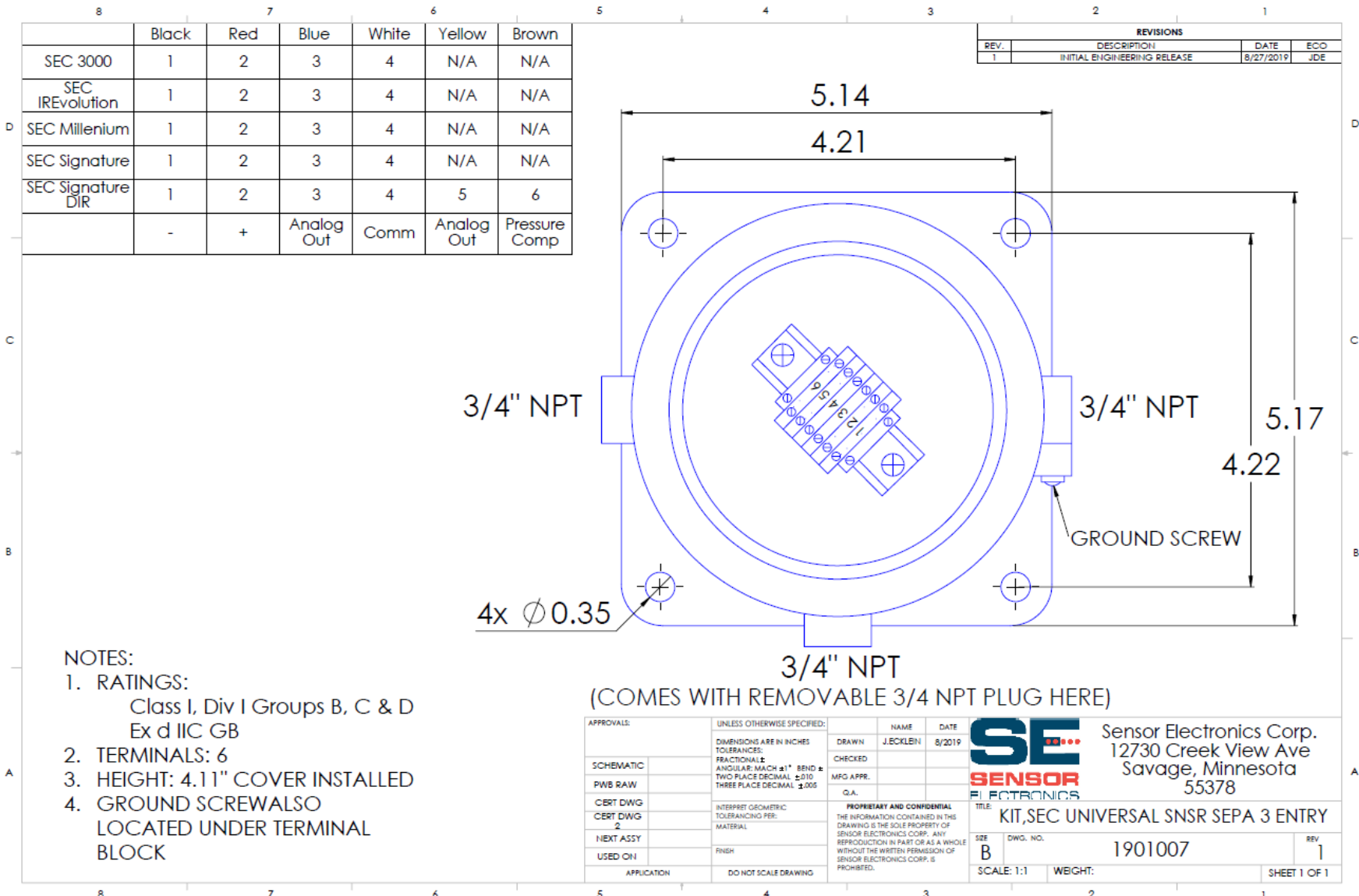
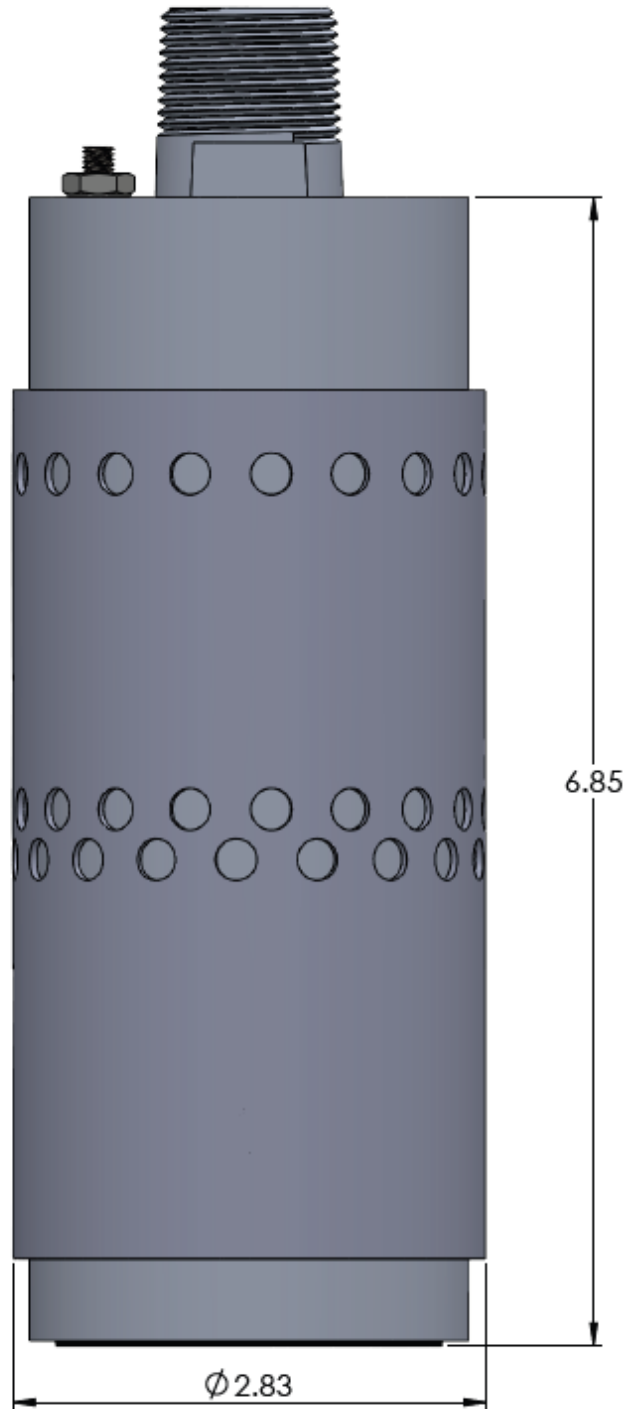


Figure 2 - SEC Sensor Separation Kit




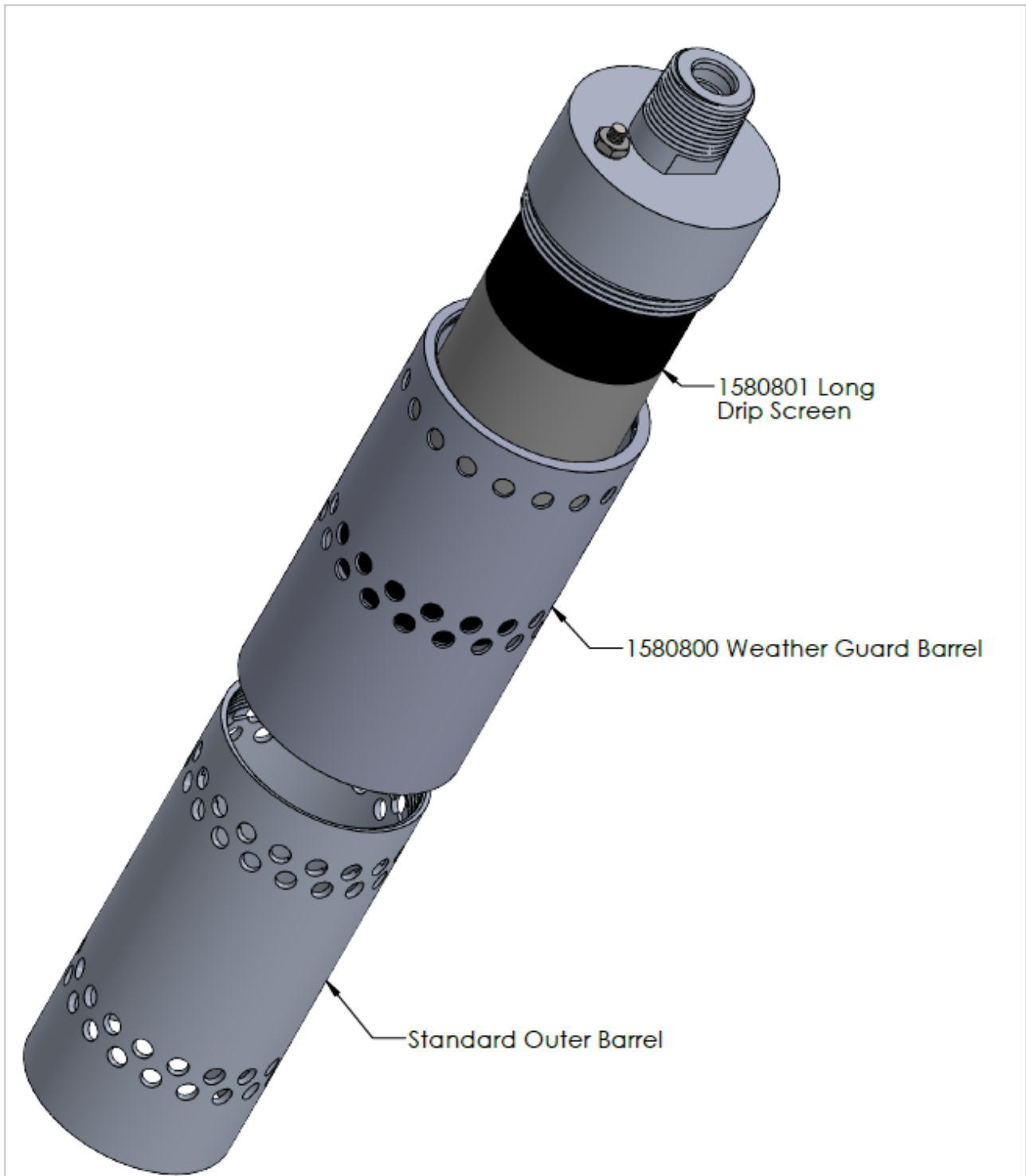
APPROVALS:	DIMENSIONS ARE IN INCHES TOLERANCES: FRACTIONAL ± ANGULAR: MACH ±1° BEND ± TWO PLACE DECIMAL ±.010 THREE PLACE DECIMAL ±.005	NAME	DATE	 <b>Sensor Electronics Corp.</b> 12730 Creek View Ave Savage, Minnesota 55378
SCHEMATIC		DRAWN		
PWB RAW		CHECKED		
CERT DWG		MEG APP.		
CERT DWG 2	MATERIAL	PROPRIETARY AND CONFIDENTIAL THE INFORMATION CONTAINED IN THIS DRAWING IS THE SOLE PROPERTY OF SENSOR ELECTRONICS CORP. ANY REPRODUCTION IN PART OR AS A WHOLE WITHOUT THE WRITTEN PERMISSION OF SENSOR ELECTRONICS CORP. IS PROHIBITED.		<b>WEATHER GUARD ASSEMBLY</b>
NEXT ASSY	FINISH	SIZE <b>A</b>	DWG. NO.	REV.
USED ON		SCALE: 1:1		
APPLICATION	DO NOT SCALE DRAWING			SHEET 1 OF 2

Figure 3 - Weather Guard Assembly




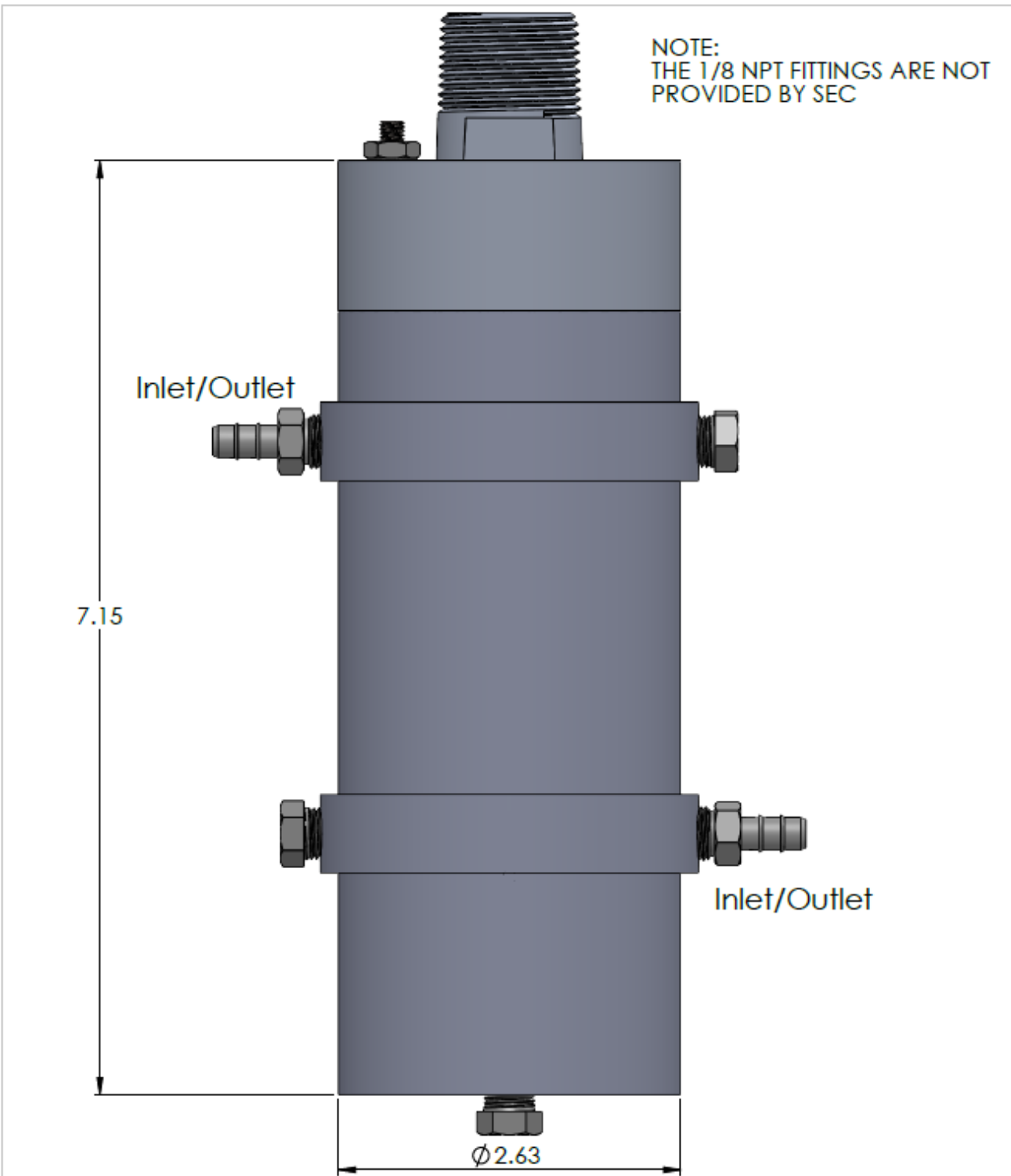
APPROVALS:		DIMENSIONS ARE IN INCHES		NAME	DATE	 <p>Sensor Electronics Corp. 12730 Creek View Ave Savage, Minnesota 55378</p>			
SCHEMATIC:		TOLERANCES:		DRAWN					
PWB RAW		FRACTIONAL: $\pm$		CHECKED					
CERT DWG		ANGULAR: MACH $\pm 1^\circ$ BEND $\pm$		MPG APPR.					
CERT DWG 2		TWO PLACE DECIMAL $\pm .010$		<b>PROPRIETARY AND CONFIDENTIAL</b> THE INFORMATION CONTAINED IN THIS DRAWING IS THE SOLE PROPERTY OF SENSOR ELECTRONICS CORP. ANY REPRODUCTION IN PART OR AS A WHOLE WITHOUT THE WRITTEN PERMISSION OF SENSOR ELECTRONICS CORP. IS PROHIBITED.		<b>WEATHER GUARD ASSEMBLY EXPLODED</b>			
NEXT ASSY		THREE PLACE DECIMAL $\pm .005$					SIZE	DWG. NO.	REV.
USED ON		MATERIAL					A		
APPLICATION		FINISH		SCALE: 1:1.5		WGHT:			
DO NOT SCALE DRAWING						SHEET 2 OF 2			

Figure 4 - Weather Guard Assembly Exploded



NOTE:  
THE 1/8 NPT FITTINGS ARE NOT  
PROVIDED BY SEC

Inlet/Outlet

7.15

Inlet/Outlet

Ø2.63


APPROVALS:		DIMENSIONS ARE IN INCHES TOLERANCES: FRACTIONAL ±		NAME	DATE	 <p>Sensor Electronics Corp. 12730 Creek View Ave Savage, Minnesota 55378</p>
SCHMATIC		ANGULAR: MACH ±1° BEND ±		DRAWN		
PWB RAW		TWO PLACE DECIMAL ±.010		CHECKED		
CERT DWG		THREE PLACE DECIMAL ±.005		MFG APPR.		
CERT DWG	2	MATERIAL	-	<p><b>PROPRIETARY AND CONFIDENTIAL</b></p> <p>THE INFORMATION CONTAINED IN THIS DRAWING IS THE SOLE PROPERTY OF SENSOR ELECTRONICS CORP. ANY REPRODUCTION IN PART OR AS A WHOLE WITHOUT THE WRITTEN PERMISSION OF SENSOR ELECTRONICS CORP. IS PROHIBITED.</p>		<p><b>SEC MILL SAMPLE DRAW CONFIG</b></p>
NEXT ASSY		FINISH	-	SIZE	DWG. NO.	
USED ON		DO NOT SCALE DRAWING		SCALE: 1:1	WEIGHT:	REV.
APPLICATION						SHEET 1 OF 1

Figure 5 - Sample Draw Configuration

## x. UNIT STATUS FLASH CODES

Flash Rate	Output Current	Reads (Hex)	Status Code (Dec)	Unit Status Label	Description
1	4-20ma	0x00	0	Unit Running	Unit is measuring gas and adjusting 4-20ma output accordingly.
2	2.2ma	0x02	2	Unit Zero Calibrating	Unit goes through its <i>zero calibration</i> procedure.
3	2.0ma	0x03	3	Unit Spanning	Unit goes through its <i>spanning</i> procedure.
4	0-20ma	0x04	4	Unit 4-20ma Calibrating	Unit goes through its <i>4-20ma-calibration</i> procedure. (Factory Only)
5	0.8ma	0x05	5	Unit Warm-up	Unit is warming up.
6	0.0ma	0x06	6	Power-up Fault	Unit has determined a <i>Power-Up</i> fault condition.
7	1.6ma	0x07	7	Calibration Fault	Unit has determined an error during <i>calibration</i> procedure.
8	NA	0x08	8	NA	Currently Not Used
9	0.0ma	0x09	9	Unit Fault	Unit has determined a <i>Unit_Fault</i> condition.
10	1.0ma	0x0a	10	Optics Fault	Unit has determined an <i>Optics_Fault</i> condition.
11	1.2ma	0x0b	11	Zero Drift Fault	Unit has determined a <i>Zero_Drift_Fault</i> condition.
12	0.0ma	0x0c	12	Configuration Fault	Unit has never been <i>Zeroed, Spanned, Source</i> calibrated, or E <sup>2</sup> has a Header byte error.
13	1.4ma	0x0d	13	Hot Zero Calibration	Unit goes through its <i>Hot Temperature calibration</i> procedure. (Factory Only)
14	1.4ma	0x0e	14	Cool Zero Calibration	Unit goes through its <i>Cool Temperature calibration</i> procedure. (Factory Only)
15	4mA->20mA	0x0f	15	Self Test	Unit generates zero to full scale output (4-20mA & Norm Gas Level)
16	0.2ma	0x10	16	Reference Channel Fault	AGC Potentiometer reaches the minimum predetermined value during the unit AGC procedure.

17	0.4ma	0x11	17	Active Channel Fault	Balance Potentiometer reaches the minimum or maximum predetermined value during the unit Calibration procedure.
18	N/A	0x12	18	Power Fault	24VDC < 18 or 24VDC >32V
19	N/A	0x13	19	Comp Zeroing	
20	N/A	0x14	20	Comp Spanning	
21	N/A	0x15	21	Fixed 4mA	
22	N/A	0x16	22	Fixed 20mA	
23	3.4ma	0x17	23	Bad Cell	<b>3300 ONLY:</b> Unit has determined the electrochemical cell has gone bad
24	3.6mA	0x18	24	Flow Fault	<b>SEC Sample Draw ONLY:</b> Unit has detected flow is too high or too low

## XI. UNIT ERROR CODES

Error Code Label's	Error Code Value's	Error Code (Dec)	Error Code Description's	Unit Status
NO_ERROR	0x00	0	Unit is measuring gas and operating properly	Unit Running
ERR_EEPROM_HEADER_BYTE	0x01	1	EEPROM does not have correct header byte stored.	Configuration Fault
ERR_EEPROM_CHKSUM	0x02	2	Checksum byte from EEPROM does not match calculated checksum on latest EEPROM read..	Configuration Fault
ERR_NO_ZERO_YET	0x03	3	Unit has yet to be zero calibrated.	Configuration Fault
ERR_NO_SPAN_YET	0x04	4	Unit has yet to be spanned.	Configuration Fault
ERR_ZERO_VALUES	0x05	5	Zero values are out of specification limits.	Power-up Fault
ERR_420_CALIB1	0x06	6	When searching for >4vdc level during the 4-20ma calibration procedure, it was unsuccessful in the first three attempts.	Power-up Fault
ERR_420_CALIB2	0x07	7	When searching for the exact 4vdc level during the 4-20ma calibration procedure, it was unsuccessful in the first four attempts.	Power-up Fault
ERR_SIGNAL_HIGH	0x08	8	When the signal level is greater than 4.75vdc at the time it is read during the AGC procedure.	Zero Drift Fault
ERR_4VDC_REF_LOW	0x09	9	When the internal reference voltage is too low.	Unit Fault
ERR_4VDC_REF_HIGH	0x0A	10	When the internal reference voltage is too high.	Unit Fault
ERR_BAL_POT_MAX	0x0B	11	When the Balance digital potentiometer reaches the maximum predetermined value during the unit calibration procedure.	Calibration Fault
ERR_BAL_POT_MIN	0x0C	12	When the Balance digital potentiometer reaches the minimum predetermined value during the unit calibration procedure.	Calibration Fault
ERR_AGC_POT_MAX	0x0D	13	When the AGC digital potentiometer reaches the maximum predetermined value during the unit AGC procedure.	Optics Fault



ERR_AGC_POT_MIN	0x0E	14	When the AGC digital potentiometer reaches the minimum predetermined value during the unit AGC procedure.	Ref Channel Fault
ERR_SPAN_POT_MAX	0x0F	15	When the Span digital potentiometer reaches the maximum predetermined value during the unit span procedure.	Calibration Fault
ERR_SPAN_POT_MIN	0x10	16	When the Span digital potentiometer reaches the minimum predetermined value during the unit span procedure.	Calibration Fault
ERR_NO_HOT_ZERO_YET	0x11	17	Unit has yet to be zeroed while Hot.	Configuration Fault
ERR_NO_COOL_ZERO_YET	0x12	18	Unit has yet to be zeroed while Cool.	Configuration Fault
ERR_UNIT_TEMP_HIGH	0x13	19	Unit Temperature is over the specified upper limit.	Unit Fault
ERR_UNIT_TEMP_LOW	0x14	20	Unit Temperature under the specified lower limit.	Unit Fault
ERR_ANALYTICAL_RANGE	0x15	21	Insufficient Analog Range during spanning	Calibration Fault
ERR_NO_TABLE_YET	0x16	22	Unit has yet to down load a table via the PC and Comm_Link.	Configuration Fault
ERR_SPAN_NO_LONGER_VALID	0x17	23	Range has been changed	Cal Fault
ERR_SPAN_POT_OVERFLOW	0x18	24	Not enough Span pot room for temperature comp. (Span Gain too high)	Cal Fault
ERR_24VDC_LOW	0x19	25	24VDC too Low	Unit Fault
ERR_24VDC_HIGH	0x1A	26	24VDC too High	Unit Fault
PRESSURE_FAULT	0x1B	27	No Pressure Sensor Input	Unit Fault
FAULT_EXTERNAL	0x1C	28	LIM (Fault Version) Either input Active...External Fault Condition	Unit Fault
ERR_RD_PRES	0x1D	29	IREvolution. No response from MPL115A2	Unit Fault

ERR_NO_ZERO_TC_CONST	0x1E	30	SEC3300 balance temperature parameter not written.	
ERR_NO_COARSE_SPAN	0x1F	31	SEC3300 coarse span not yet written.	
ERR_NO_BIAS_VOLTAGE	0x20	32	SEC3300 bias voltage not yet written.	
ERR_NO_OFFSET	0x21	33	SEC3300 offset not yet available.	
ERR_NO_WARMUP_TIME	0x22	34	SEC3300 warmup time not yet written.	
ERR_NO_DAC_TRIM	0x23	35	SEC3300 DAC trim not yet performed.	
ERR_NO_CELL_TYPE	0x24	36	SEC3300 Cell type (ox or re) not yet written.	
ERR_COARSE_SPAN_OVERFLOW	0x25	37	SEC3300 coarse span pot overflow.	
ERR_NO_RANGE_VALUE	0x26	38	SEC3300 range value not yet written.	
ERR_NO_CAL_VALUE	0x27	39	SEC3300 cal value not yet written.	
ERR_VERSION	0x28	40	SEC3300 The version numbers of installed boards do not match.	Unit Fault
MEASURING_CH_DISABLED	0x29	41	Evo Rev 40+ , Evo Sample Draw... Unit Settings Error	Unit Fault
COUNTER_V_OUT_OF_RANGE	0x32	50	SEC3300 Cell Test Failure	Bad Cell
TEST_PULSE_AMPLITUDE_TOO_LOW	0x33	51	SEC3300 Cell Test Failure	Bad Cell
LOW_FLOW	0x34	52	SEC Sample Draw System detected the flow was less than 1/2 of target flow rate (cal val)	Flow Fault
HIGH_FLOW	0x35	53	SEC Sample Draw System detected the flow was greater than 2X target flow rate (cal val)	Flow Fault

## Warnings

Cell Output out of Range	0x81	129	SEC3300 Cell Test Failure	Run (Warning)
Output rate of Change out of Range	0x83	131	SEC3300 Cell Test Failure	Run (Warning)
High Level Interfering Gas	0x84	132	IREvolution	Run (Warning)
Slave Not Found	0x85	133	IREvolution	Run (Warning)
Hours-in-Service variable has exceeded two years	0x86	134	SEC3300	Run (Warning)
Calibration Needed	0x88	136	IREvolution/SEC3300	Run (Warning)
Automatic Restore Occurred	0x89	137	SEC3300	Run (Warning)
Temp Transient	0x8A	138	IREvolution	Run (Warning)
EOL Warning	0x8B	139	SEC MILLENIUM HAWK has reached its end of life	Run (Warning)
Over-Range	0x8C	140	SEC MILLENIUM HAWK gas output over predetermined range	Run (Warning)