



Vigilant® LED High Bay - UL
for Indoor and Outdoor Industrial Applications

Vigilant® LED High Bay - UL for Indoor and Outdoor Industrial Applications



Case Study: Rockline Case Study (Manufacturing)

Dialight's LED High Bay Lighting Fixtures

See full case study at www.dialight.com

About Dialight

Dialight (LSE: DIA.L) is leading the energy efficient LED lighting revolution around the world for industrial and hazardous areas as well as transportation and infrastructure applications. For 40 years it has been committed to the development of LED lighting solutions that enable organizations to vastly reduce energy use and maintenance needs, improve safety, ease disposal and reduce CO₂ emissions.

History at a Glance

- 1938 - Dialight founded in Brooklyn, NY
- 1971 - LED Circuit Board Indicator
- 1994 - LED Transit Vehicle Signals
- 1995 - LED Traffic Signals
- 2000 - FAA certified LED Obstruction Lights
- 2007 - LED Lighting for Hazardous Locations
- 2009 - LED High Bay Fixtures
- 2012 - Full performance 10-year warranty
- 2013 - Controls for LED Lighting
- 2014 125lm / W High Bay

Typical Applications

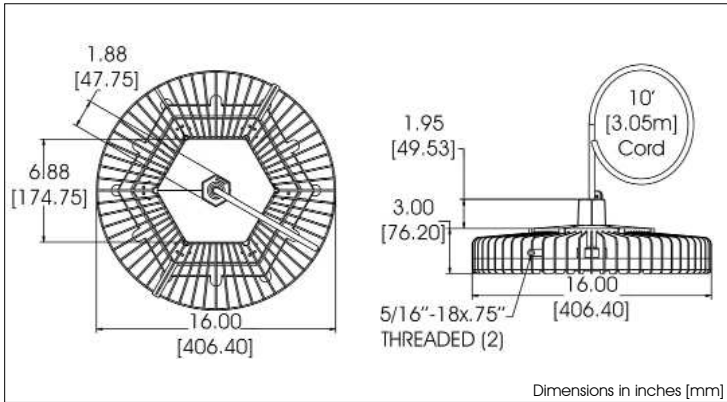
- Oil, Gas & Petrochemical
- Power Generation
- Mining
- Chemical
- Pharmaceutical
- Water & Sewage
- Food & Beverage
- Manufacturing
- Warehousing
- Cold Storage

Complete your own Return on Investment calculation at: www.dialight.com/tcoCalculator/Vigilant_HighBay



Patent pending

Vigilant® LED High Bay - UL



Dimensions in inches [mm]

Certifications & Ratings

- UL 1598/A
- CSA 22 #250
- CE
- NEMA 4X
- IP66 / 67
- Dark Sky Compliant

Features & Benefits

- 10 year full performance warranty
- L70 rated for > 100,000 hours @ 25°C ambient
- 125 LPW
- Dual Mounting option available
- Significantly reduced glare
- Instant on/off
- Maintenance free
- Mercury free
- No UV or IR
- Resistant to shock and vibration

Application:

At 125 lumens per Watt, Dialight's new ultra-efficient industrial LED High Bay revolutionizes the world of LED lighting and is by far the most innovative LED fixture available today. With a market-leading 10 year full performance warranty, the new 26,500 lumen high bay utilizes cutting-edge optical and electrical design to provide for significantly reduced glare and superior light distribution.

Mechanical Information

Fixture Weight:	18 lbs (8.16kg)
Shipping Weight:	24 lbs (10.8kg)
Mounting:	(1) 3/4" NPT - top (2) 5/16"-18 x .75" UNC - side
Entries:	10' (3.05m) STOOW Power Cord

Electrical specifications

Operating Voltage:	25,750 & 26,500lm models 110 - 277V AC: 100 - 277V AC:
Power Consumption:	See table
Operating Temp:	-40°F to +149°F (-40°C to +65°C)
Harmonics:	IEC 61000-3-2

Noise requirement / EMC:

FCC Title 47, Subpart B, Section 15, class A device. RF Immunity; 10V/m, 80MHz-1GHz

Transient protection:

Protection devices capable of handling up to 6kV. Tested for 6kV/2 ohm combination wave, as per IEEE C62.41, line-line and line-ground

THD:

<20%

Power Factor:

> 0.9

Construction

Housing:	Copper free aluminum
Finish:	Superior dual coat finish Sealed polyester topcoat Chemical-resistant epoxy prime
Lens:	Tempered glass

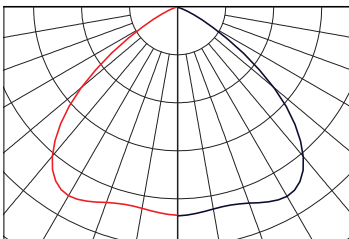
Photometric Information

CRI:	75
CCT:	5000K (cool white) 4000K (neutral white)
IES Files:	available at www.dialight.com

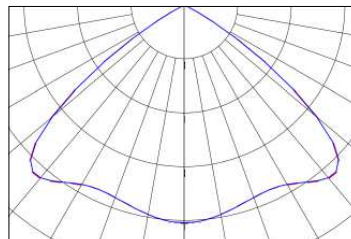
All values typical unless otherwise stated
All lumen values are typical (tolerance +/- 10%)

Light Distribution Pattern

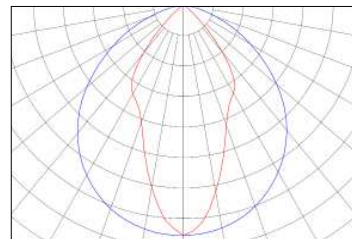
Medium pattern



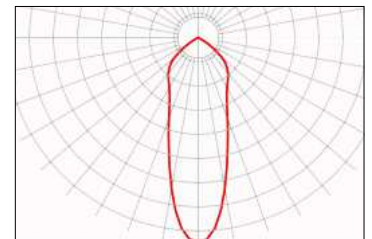
Wide pattern



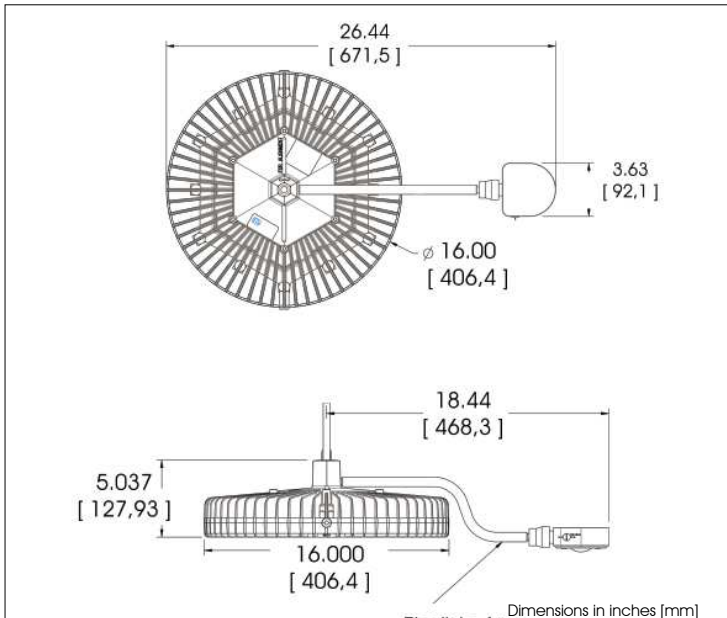
Aisle pattern



Narrow pattern



Vigilant® LED High Bay - UL Occupancy Sensor Models



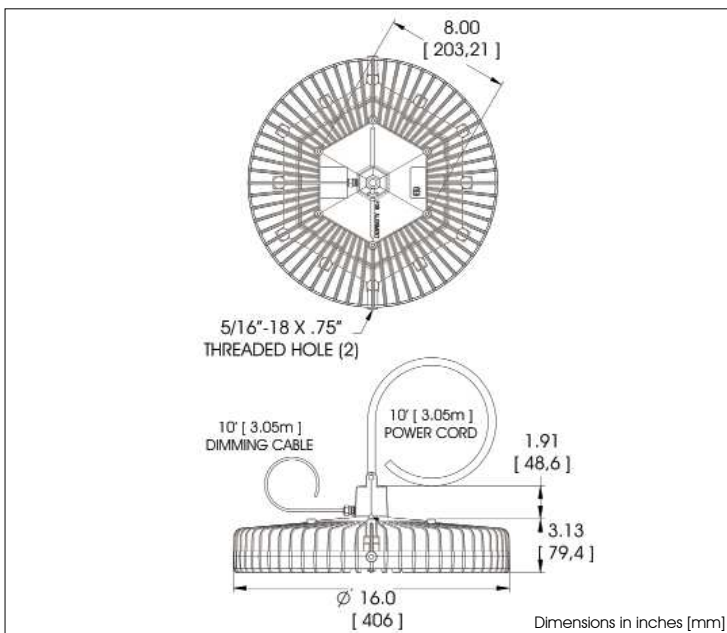
Mechanical, Electrical and Photometric information is the same as on page 3 except where detail is provided

Fixture Weight:	20 lbs (13.34kg)
Container Weight:	27 lbs (9.62kg)
Sensor Mounting:	Attached to the base of the neck using a semi-rigid flexible conduit
Occupancy Sensor:	Wet location wattstopper
Sensor Timing:	30 seconds to 20 minutes
Sensor Lens Options:	Comes complete with interchangeable lenses for multiple mounting heights and sensor patterns
Operating Temperature:	-40°F to +149°F (-40°C to +65°C)
Rating:	IP65

Features & Benefits

- No additional electrical connections required for installation
- Flexible conduit permitting the positioning of the occupancy sensor for optimal coverage
- Interchangeable sensor lens for high bay, low bay, or aisle application

Variable Dimming Models



Mechanical, Electrical and Photometric information is the same as on page 3 except where detail is provided

Variable Dimming Cable:	Two conductor cable
Power Cable:	Three conductor cable
Dimming Cable Position:	Side of the neck through a cable gland
Variable Dimming Control:	0-10V DC
Dimming Range:	10V DC = 100% light output 0V DC = 30% light output

Features & Benefits

- 10' plenum rated dimming control cable pre-installed
- Dimming cabling independent of fixture wiring
- Multiple High Bays can be connected to the same dimmer

Vigilant® LED High Bay - UL - Ordering Information

Part number ^{1,4,5}	Fixture Lumens	Wattage	Lumens per Watt	Wet Locations	Voltage	CCT	Lens	Optical Pattern			
								Medium	Wide	Aisle	Narrow
Standard Models											
HEGMC4PN-SNG	26,500	212	125	IP66	110 - 277V AC	5000K (cool white)	Tempered glass	•			
HEGRC4PN-SNG	26,500	212	125	IP66	110 - 277V AC	5000K (cool white)	Tempered glass		•		
HEGEC4PN-SNG	25,750	204	125	IP66	110 - 277V AC	5000K (cool white)	Tempered glass			•	
HEGNC4PN-SNG	26,500	212	125	IP66	110 - 277V AC	5000K (cool white)	Tempered glass				•
HEGMC4KN-SNG	18,000	144	125	IP66	100 - 277V AC	5000K (cool white)	Tempered glass	•			
HEGRC4KN-SNG	18,000	144	125	IP66	100 - 277V AC	5000K (cool white)	Tempered glass		•		
HEGEC4KN-SNG	18,000	144	125	IP66	100 - 277V AC	5000K (cool white)	Tempered glass			•	
HEGNC4KN-SNG	18,000	144	125	IP66	100 - 277V AC	5000K (cool white)	Tempered glass				•
HEGMC4GN-SNG	14,000	112	125	IP66	100 - 277V AC	5000K (cool white)	Tempered glass	•			
HEGRC4GN-SNG	14,000	112	125	IP66	100 - 277V AC	5000K (cool white)	Tempered glass		•		
HEGEC4GN-SNG	14,000	112	125	IP66	100 - 277V AC	5000K (cool white)	Tempered glass			•	
HEGNC4GN-SNG	14,000	112	125	IP66	100 - 277V AC	5000K (cool white)	Tempered glass				•
HEGMC4DN-SNG	11,000	88	125	IP66	100 - 277V AC	5000K (cool white)	Tempered glass	•			
HEGRC4DN-SNG	11,000	88	125	IP66	100 - 277V AC	5000K (cool white)	Tempered glass		•		
HEGEC4DN-SNG	11,000	88	125	IP66	100 - 277V AC	5000K (cool white)	Tempered glass			•	
HEGNC4DN-SNG	11,000	88	125	IP66	100 - 277V AC	5000K (cool white)	Tempered glass				•
Occupancy Sensor Models											
HEGMC1PM-SNG	26,500	212	125	IP65	110 - 277V AC	5000K (cool white)	Tempered glass	•			
HEGRC1PM-SNG	26,500	212	125	IP65	110 - 277V AC	5000K (cool white)	Tempered glass		•		
HEGMC1KM-SNG	18,000	144	125	IP65	100 - 277V AC	5000K (cool white)	Tempered glass	•			
HEGRC1KM-SNG	18,000	144	125	IP65	100 - 277V AC	5000K (cool white)	Tempered glass		•		
HEGMC1GM-SNG	14,000	112	125	IP65	100 - 277V AC	5000K (cool white)	Tempered glass	•			
HEGRC1GM-SNG	14,000	112	125	IP65	100 - 277V AC	5000K (cool white)	Tempered glass		•		
HEGMC1DM-SNG	11,000	88	125	IP65	100 - 277V AC	5000K (cool white)	Tempered glass	•			
HEGRC1DM-SNG	11,000	88	125	IP65	100 - 277V AC	5000K (cool white)	Tempered glass		•		
Variable Dimming Models											
HEGMC4PD-SNG	26,500	212	125	IP66	110 - 277V AC	5000K (cool white)	Tempered glass	•			
HEGRC4PD-SNG	26,500	212	125	IP66	110 - 277V AC	5000K (cool white)	Tempered glass		•		
HEGMC4KD-SNG	18,000	144	125	IP66	100 - 277V AC	5000K (cool white)	Tempered glass	•			
HEGRC4KD-SNG	18,000	144	125	IP66	100 - 277V AC	5000K (cool white)	Tempered glass		•		
HEGMC4GD-SNG	14,000	112	125	IP66	100 - 277V AC	5000K (cool white)	Tempered glass	•			
HEGRC4GD-SNG	14,000	112	125	IP66	100 - 277V AC	5000K (cool white)	Tempered glass		•		
HEGMC4DD-SNG	11,000	88	125	IP66	100 - 277V AC	5000K (cool white)	Tempered glass	•			
HEGRC4DD-SNG	11,000	88	125	IP66	100 - 277V AC	5000K (cool white)	Tempered glass		•		
Powerwash Models											
HEGMC4PN-SPG	26,500	212	125	1000 PSI	110 - 277V AC	5000K (cool white)	Tempered glass	•			
HEGRC4PN-SPG	26,500	212	125	1000 PSI	110 - 277V AC	5000K (cool white)	Tempered glass		•		
HEGMC4KN-SPG	18,000	144	125	1000 PSI	100 - 277V AC	5000K (cool white)	Tempered glass	•			
HEGRC4KN-SPG	18,000	144	125	1000 PSI	100 - 277V AC	5000K (cool white)	Tempered glass		•		
HEGMC4GN-SPG	14,000	112	125	1000 PSI	100 - 277V AC	5000K (cool white)	Tempered glass	•			
HEGRC4GN-SPG	14,000	112	125	1000 PSI	100 - 277V AC	5000K (cool white)	Tempered glass		•		
HEGMC4DN-SPG	11,000	88	125	1000 PSI	100 - 277V AC	5000K (cool white)	Tempered glass	•			
HEGRC4DN-SPG	11,000	88	125	1000 PSI	100 - 277V AC	5000K (cool white)	Tempered glass		•		

All models shown in the table are cool white, for models in Neutral White, 4000K CCT, replace the 5th character with a **N**. Ex: HEGMC4PN-SNG becomes HEGM**N**4PN-SNG. Deduct 5% from lumen values when specifying neutral.

For models needing a safety bracket, replace the 10th character with a **S**. Example HEGMC4PN-SNG becomes HEGMC4PN-**S**SG

All models show in the above table come with an internal fuse. For models needing an external fuse, replace the 10th character with a **E**. Ex: HEGMC4PN-SNG becomes HEGMC4PN-**S**EG. (Fixture will be listed damp location only with internal fuse)

For models needing both safety bracket & fuse, replace the 10th character with a **G**. Ex: HEGMC4PN-SNG becomes HEGMC4PN-**S**GG.

Part numbers with occupancy sensor that will be installed with hook or loop (HBXH or HBXL) accessories will require a counter balance installed prior to shipment. Replace the 10th character with a **C**.

Ex: HEGMC4PN-SNG becomes HEGMC4PN-**S**CG.

Part numbers listed in the tables above come with a glass lens. For models needing a polycarbonate dome lens, replace the 3rd character with a **L**. Ex: HEGMC4PN-SNG becomes HE**L**MC4PN-SNG (deduct ~11% from lumens). For models needing a polycarbonate flat lens, replace the 3rd character with a **F**. Ex: HEGMC4PN-SNG becomes HE**F**MC4PN-SNG (deduct ~3% from lumens). For models needing an acrylic lens, replace the 3rd character with a **A**. Ex: HEGMC4PN-SNG becomes HE**A**MC4PN-SNG (deduct ~3% from lumens). Dome & acrylic lens not available on power wash models, please use glass or flat polycarbonate.

For Dialight's complete list of DLC qualified products, please click this link: www.dialight.com/DLC

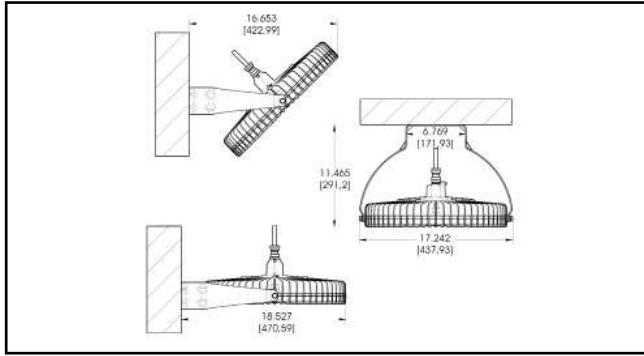
Vigilant® LED High Bay - UL - Options and Accessories

	Part Number	Description	KIT includes
Safety cable			
	FLX1HBXSS	304 Stainless steel forward throw bracket	Stainless steel forward throw bracket and stainless steel mounting hardware
	HBXDUALBRCKT	Dual bracket	Junction box
	HBXW2	Swivel bracket and cable gland	Swivel bracket, bracket hardware, cable gland (1/2"), reducer (3/4" to 1/2")
	HBXW3	Swivel bracket	Swivel bracket Bracket to fixture hardware
	HBXCU	Ceiling mount	Swivel hanger cover 3" Conduit nipple
	HBXCG	Cable gland	Cable gland (1/2") Reducer (3/4" to 1/2")
	HBXL	Loop (Consult factory when using with occupancy sensor models)	Hanger loop (Ge loopm353)
	HBXH	Hook (Consult factory when using with occupancy sensor models)	Hanger hook (Ge hookm353)
	HBXCAB48	48" Long stainless steel safety rope	3/32" Diameter stainless rope With locking spring clip
	HBXTH347480 [†]	Top hat with 347-480v isolated Step down transformer, ip 66 rated (Consult factory when using with hook or loop)	Top and bottom clam shell, conduit nipple 6' STOOW cable, 347-480v step down transformer, fuse holder, 2 fuses
	HBXLENGC	Tempered glass	Lens, replacement clips, screws, gasket
	HBXLENAC	Acrylic lens, clear	
	HBXLENAD	Acrylic lens, diffused	
	LBXLENP	Replacement dome lens	
	HBXREF22	22" Acrylic reflector (must be ordered with high Bay, not a retrofit option)	Reflector, brackets, screws
	HBXDC	21° slope dust cover	Dust cover, clamp, spacer
	HBXDC45	45° slope dust cover	
	HBXDC60	60° slope dust cover	
	HBXW3-SSL-316	316 Stainless steel swivel bracket	Stainless steel swivel bracket and Stainless steel mounting hardware
	HBXW3-SSL-304	304 Stainless steel swivel bracket	

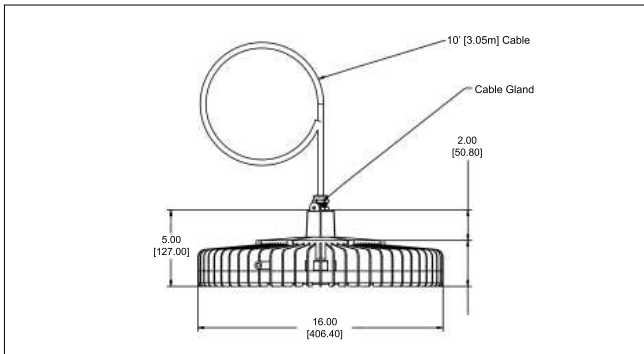
[†]Top hat cannot be used with a mounting bracket

Vigilant® LED High Bay - UL - Options and Accessories Drawings

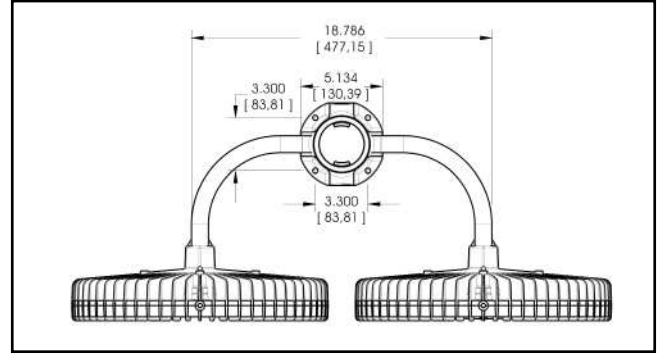
HBXW2 - Swivel Bracket and Cable Gland



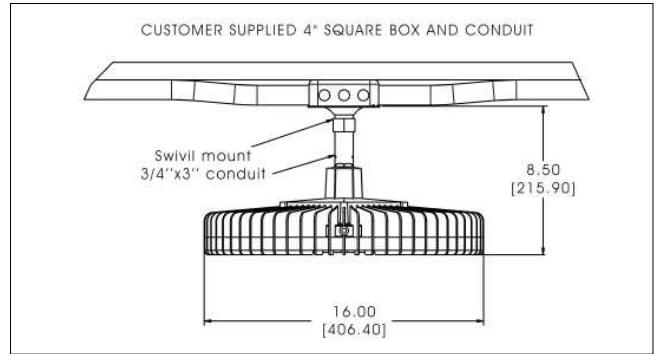
HBXCG - Cable Gland



HBXDUALBRCKT - Dual Bracket



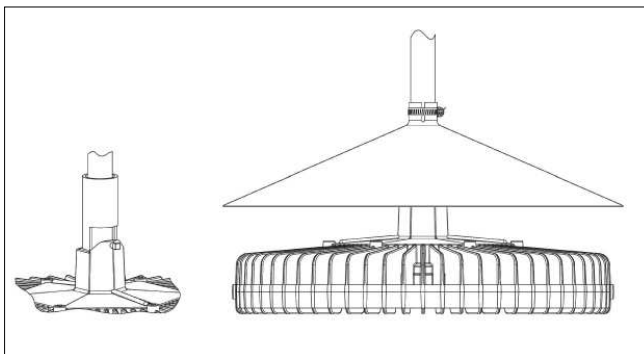
HBXCU - Ceiling Mount



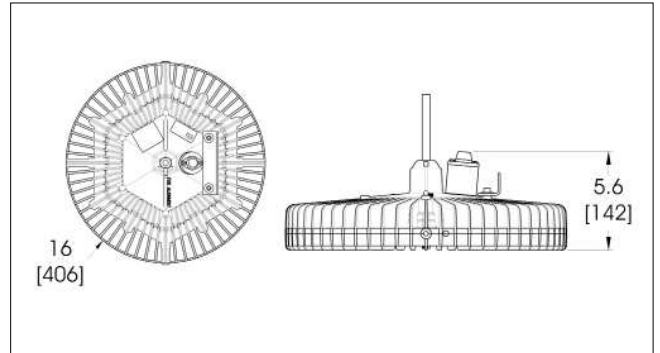
HBXTH347480 - Top Hat (fixture sold separately)



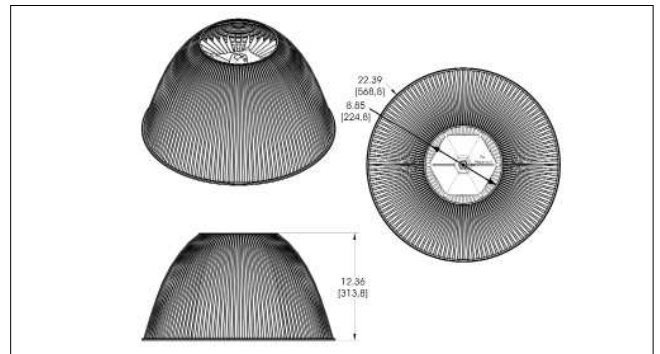
HBXDC - Dust Cover



HEGMxxx-SGG - Safety Bracket and Fuse Options



22" Acrylic Reflector - Consult factory



Vigilant® LED High Bay - UL
for Indoor and Outdoor Industrial Applications

