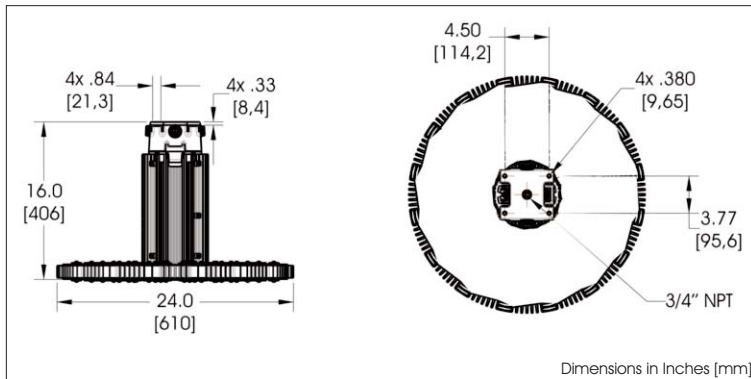




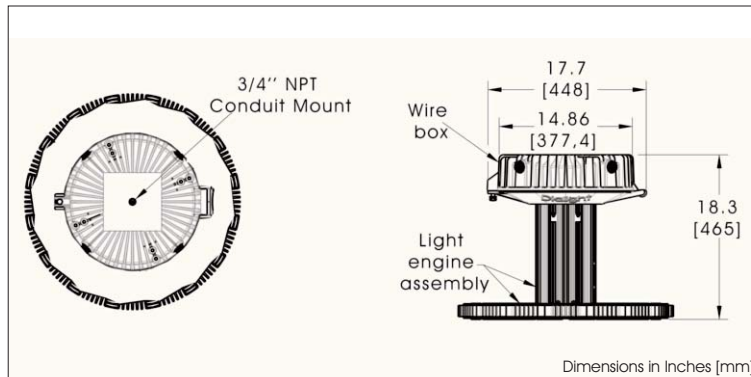
## Vigilant® LED High Bay

### 60,000 lumens

120 - 277V AC Model



347 / 480V AC Models



### Certifications & Ratings

- UL 1598 (dry locations)
- CSA 22 #250 (dry locations)
- IP certification rating (pending)

### Features & Benefits

- L70 rated for > 100,000 hours
- 10 year full performance warranty
- Industry best efficiency and weight
- Precision optics for high mounting heights
- True 1 for 1 replacement for 1,000W HID
- Low glare
- Temperature compensation technology for long life

### Application:

At 125 lumens per Watt, Dialight's new 60,000 lumen industrial LED High Bay revolutionizes the world of LED lighting and is by far the most innovative LED fixture available today. With a market-leading 10 year full performance warranty, the 60,000lm High Bay utilizes cutting-edge optical and electrical design to provide for significantly reduced glare and superior light distribution.

### Mechanical Information

**Fixture weight:**  
 120 - 277V AC models: 38 lbs  
 347 / 480V AC models: 64 lbs

**Shipping weight:**  
 120 - 277V AC models: 45 lbs  
 347 / 480V AC models: 70 lbs

**Mounting:** (1) 3/4" NPT - top  
 (4) 3/4" NPT - sides

### Electrical Specifications

**Operating Voltage:** 120 - 277V AC  
 347V AC  
 480V AC

**Total system power consumption:** See table

**Operating Temp:** -40°F to +149°F (-40°C to +65°C)

**Harmonics:** IEC 61000-3-2

**Noise requirement / EMC:** FCC Title 47, Subpart B, Section 15, class A device. RF Immunity; 10V/m, 80MHz-1GHz

**Transient protection:** 6kV/2 ohm combination wave, as per IEEE C62.41, line-line and line-ground

**Power Factor:** > 0.95

**THD:** < 10%

### Construction

**Housing:** Aluminum

**Lens:** Tempered glass

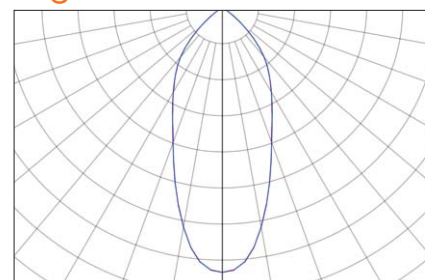
### Photometric Information

**CRI:** 75

**CCT:** 5000K (cool white)  
 4000K (neutral white)

All values typical unless otherwise stated  
 Lumen values are typical (tolerance +/- 10%)

### Light Distribution Pattern



# Vigilant® LED High Bay - 60,000 lumens

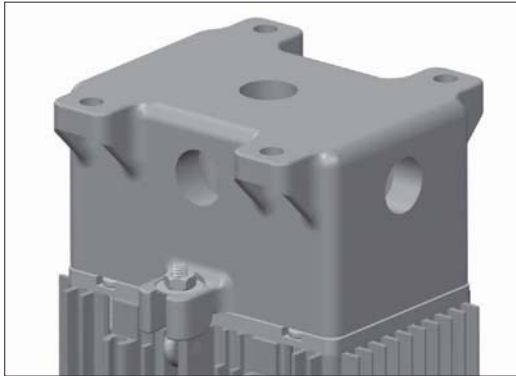
## Ordering Information

Part Number	Voltage	Fixture Lumens	Watt	Lumens Per Watt	CCT
120 - 277V AC Models					
H6UGNC44N-SNNG	120 - 277V AC	60,000	480	125	5000K (cool white)
H6UGNN44N-SNNG	120 - 277V AC	60,000	480	125	4000K (neutral white)
347V AC Models					
H6UGNC54N-SNNG	347V AC	60,000	520	115	5000K (cool white)
H6UGNN54N-SNNG	347V AC	60,000	520	115	4000K (neutral white)
480V AC Models					
H6UGNC94N-SNNG	480V AC	60,000	520	115	5000K (cool white)
H6UGNN94N-SNNG	480V AC	60,000	520	115	4000K (neutral white)

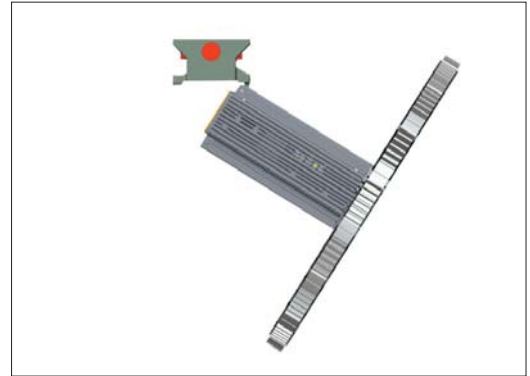
	Part Number	Description	KIT
	H6XCAB240K	240" long steel safety rope	3/32" diameter steel rope with locking spring clip

### 120 - 277V AC Models

Wiring box

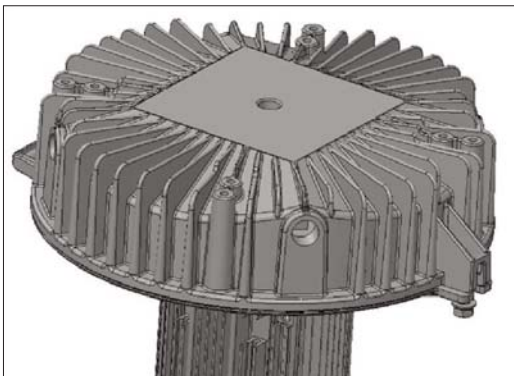


Top hat hinge



### 347 / 480V AC Models

Top hat



Top hat hinge

