



Patent Pending

DuroSite[®] LED Low Bay

for Indoor and Outdoor Applications



DuroSite® LED Low Bay



Features & Benefits

- L70 rated for >100,000 hours @ 25°C ambient
- 5 year full performance warranty
- Up to 84 lm/W
- Significant energy savings
- Low profile versus traditional HID fixtures
- Instant on/off
- Maintenance free
- Mercury free
- No UV or IR
- Produces minimal heat compared to traditional fixtures
- Reflector based optics for precise light control
- Resistant to shock and vibration
- Temperature compensation technology for long life
- Copper free aluminum
- Typical payback < 2 years

Typical Applications

- Parking Structures
- Cold Storage
- Warehouse
- Walkways
- Manufacturing
- Fuel Pump Canopy



Meets Buy American
For projects requiring Buy American
certification, consult factory for additional
information and details

View the full case studies at:

FOX3 Parking Garage - www.dialight.com/News/Details/fox31_case_study

City of London Parking Garage - www.dialight.com/News/Details/city_of_london_corp

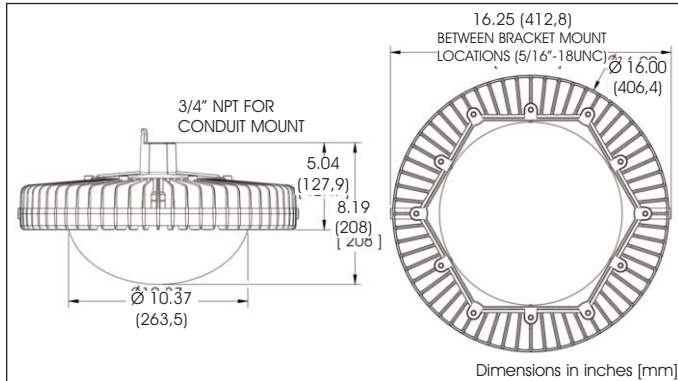
Milwaukee Airport - www.dialight.com/Assets/Brochures_And_Catalogs/Illumination/Case_study_Milwaukee_Airport.pdf

Lanxess - www.dialight.com/Assets/Brochures_And_Catalogs/Illumination/LANXESS_Case_Study.pdf

Complete your own Return on Investment calculation at: www.dialight.com/tcoCalculator/Durosite_LowBay



DuroSite® LED Low Bay Fixture



Certifications and Ratings

- UL1598/A (suitable for wet locations)
- CSA C22.2 No. 250.0-08
- UL8750

Compliances

- IEC 60529 (IP 66)
- NEMA 4X
- ANSI C 136.15-2011

Test Reports

- LM-79
- LM-80

Application:

Dialight's DuroSite® LED low bay fixture was designed specifically to replace conventional lighting in a wide variety of industrial applications, both indoor and outdoor. Its low profile, light weight design and versatile mounting options make it ideal for many applications such as parking decks, garages, cold storage and other applications with mounting heights up to 20 feet.

All of Dialight's long life LED luminaires are designed to meet the most demanding specification criteria while offering maximum energy savings, reduced maintenance costs, and a superior quality of light.

Mechanical Information

Fixture Weight:	18 lbs (8.2 kg)
Shipping Weight:	24 lbs (10.92 kg)
Mounting:	(1) 3/4" NPT or (2) 5/16"-18 x .75" UNC

Electrical specifications

Operating Voltage:	100-277V AC, 50/60 Hz
Total System Power Consumption:	45W / 80W / 140W
Operating Temp:	-40°F to +149°F (-40°C to +65°C)
Noise Requirements/ EMC:	FCC Title 47, Subpart B, Section 15, class A device. RF Immunity: 10V/m, 80MHz-1GHz
Harmonics:	EN61000-3-2
Transient Protection:	1 kV line to line 2 kV line to ground

THD: <15%

Power Factor: > 0.9

Construction

Body:	Powder coated aluminum
EPA:	0.60
Finish:	Epoxy polyester powder coated for superior corrosion resistance
Lens:	Polycarbonate

Photometric Information

CRI:	70
CCT:	5,000K (cool white) 4,000K (neutral white)

All values typical unless otherwise stated
All lumen values are typical (tolerance +/- 10%)

Ordering Code:

Part Number [†]	Lumens	Wattage	Lumens Per Watt	CCT	Occupancy Sensor	Variable Dimming
LBW1C1A	3,800	45	84	Cool White		
LBW1N1A	3,800	45	84	Neutral White		
LBW1C2A	3,800	45	84	Cool White	•	
LBW1N2A	3,800	45	84	Neutral White	•	
LBW1C5A	3,800	45	84	Cool White		•
LBW1N5A	3,800	45	84	Neutral White		•
LBW1C1D	6,000	80	75	Cool White		
LBW1N1D	6,000	80	75	Neutral White		
LBW1C2D	6,000	80	75	Cool White	•	
LBW1N2D	6,000	80	75	Neutral White	•	
LBW1C5D	6,000	80	75	Cool White		•
LBW1N5D	6,000	80	75	Neutral White		•
HBWC4L	8,500	107	79	Cool White		
HBWN4L	8,500	107	79	Neutral White		

Part numbers with occupancy sensor that will be installed with Hook or Loop (HBXH or HBXL) accessories will require a counter balance installed prior to shipment. Add - **CB** to the end of the part number. Example LBW1C2D will become LBW1C2D-**CB**. Please consult with customer service when ordering

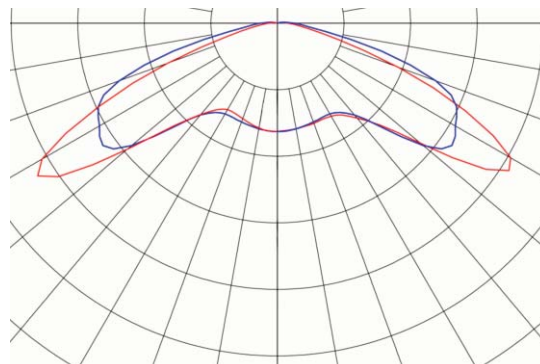
For Dialight's complete list of DLC qualified products, please click this link: www.dialight.com/DLC

DuroSite® LED Low Bay Fixture

Options and Accessories

		Part Number	Description	Kit Includes
		No Part Number	3/4" NPT Pendant Mount (Conduit supplied by installer)	Conduit supplied by installer
		HBXW2	Swivel Bracket and Cable Gland	Swivel Bracket Bracket to fixture hardware Cable Gland (1/2") Reducer (3/4" to 1/2")
		HBXW3	Swivel Bracket	Swivel Bracket Bracket to Fixture Hardware
		HBXCU	Ceiling Mount	Swivel Hanger Cover 3" Conduit Nipple
		HBXCG	Cable Gland	Cable Gland (1/2") Reducer (3/4" to 1/2")
		HBXL	Loop	Hanger Loop (GE LOOPM353)
		HBXH	Hook	Hanger Hook (GE HOOKM353)
		LBXLENP	Replacement Dome Lens	Lens Replacement screws Gasket

Candela Plot - LBW1N1D



Dialight reserves the right to make changes at any time in order to supply the best product possible. The most current version of this document will always be available at: www.dialight.com/Assets/Brochures_And_Catalogs/Illumination/MDEXLBX001.pdf. Warranty Statement: EXCEPT FOR THE WARRANTY EXPRESSLY PROVIDED FOR [HEREIN/ABOVE/BELOW], DIALIGHT DISCLAIMS ANY AND ALL OTHER WARRANTIES, EXPRESS OR IMPLIED, INCLUDING, WITHOUT LIMITATION, ANY WARRANTIES OF MERCHANTABILITY, FITNESS FOR A PARTICULAR PURPOSE, TITLE, AND NON-INFRINGEMENT.