



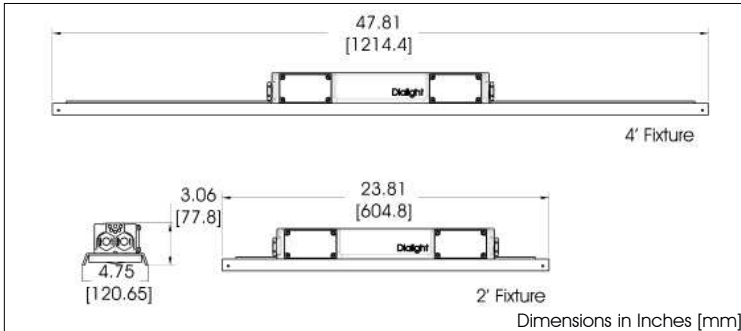
DuroSite® LED Linear Fixture - UL / CSA
for Indoor and Outdoor Industrial Applications





DuroSite® LED Linear Fixture

Low profile



Certifications & Ratings

- UL 1598/A
- UL 8750
- CSA 22.2 No.250.0
- IP66/67
- NEMA 4X

Features & Benefits

- 5 year full performance warranty
- L70 rated for > 100,000 hours @ 25°C
- DLC Listed (80 CRI CW & NW models only)
- Instant on/off operation
- Resistant to water, salt, dust & vibration
- Resistant up to 20 PSI of hose directed water
- Universal input (100-277V AC), 50/60Hz
- Mercury free
- Temperature compensation technology for longer life
- Factory sealed
- Integrated wiring box
- Low profile housing for limited space applications
- Dual NPT entries for in / out wiring
- Through wiring capability

Application

Dialight's DuroSite® LED linear fixture replaces HID and fluorescent lighting fixtures in industrial applications. The DuroSite® LED Linear fixture's rugged solid state design makes it highly resistant to shock and vibration. Its fully gasketed IP66 rated enclosure makes it suitable for dusty & wet locations, its 1598/A rating guarantees added protection from salt water spray. The DuroSite® LED Linear's superior design allows for wiring and mounting versatility and ease of installation for many lighting applications.

Mechanical Information

Fixture Weight:	10 lbs (4.50 kg) 4' 7 lbs (3.13 kg) 2'
Shipping Weight:	11 lbs (4.90 kg) 4' 8 lbs (3.64 kg) 2'
Mounting:	(4) 3/4" NPT openings Optional swivel bracket - LPXW4 Optional low profile bracket - LPXW4LP

Electrical Specifications

Operating Voltage:	100 - 277V AC 50/60Hz
Power Consumption:	See ordering information
Operating Temp:	-40°F to +149°F (-40°C to +65°C)
Harmonics:	IEC 61000-3-2
Noise Requirements/ EMC:	FCC Title 47, Subpart B, Section 15, class A device. RF Immunity; 10V/m, 80MHz-1GHz
Surge Protection:	EN 61000-4-5 4 kV line to line 4 kV line to ground
THD:	< 20%
Power Factor:	> 0.9

Power supply equipped with inline fuse

Construction

Finish:	Superior dual coat finish Sealed polyester topcoat Chemical-resistant epoxy primer
Lens:	Polycarbonate

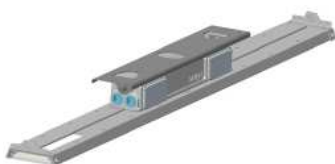
Photometric Information

CRI:	75 , 80
CCT:	5000K (cool white) 4000K (neutral white)
IES Files:	Available upon request

All values typical unless otherwise stated
All lumen values are typical (tolerance +/- 10%)

Mounting Options

LPXW4LP



Side Mount - LPXW4

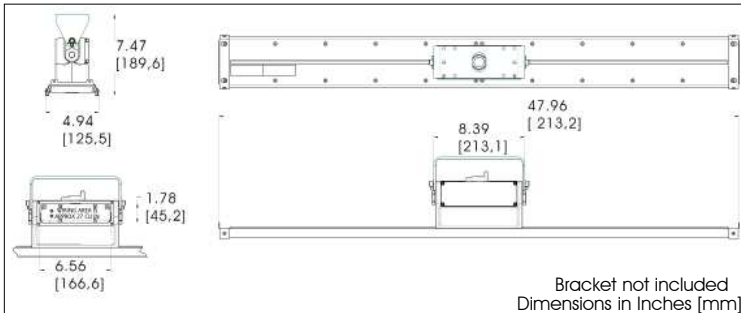


Top Mount - LPXW4





DuroSite® LED Linear Fixture Top Conduit Mounting



Certifications & Ratings

- UL 1598/A
- UL 8750
- CSA 22.2 No.250.0
- IP66
- NEMA 4X

Features & Benefits

- 5 year full performance warranty
- L70 rated for > 100,000 hours @ 25°C
- Instant on/off operation
- Resistant to water, salt, dust & vibration
- Resistant up to 20 PSI of hose directed water
- Universal input (100-277V AC), 50/60Hz
- Mercury free
- Temperature compensation technology for longer life
- Factory sealed
- Integrated wiring box

Application

Dialight's DuroSite® LED linear fixture replaces HID and fluorescent lighting fixtures in industrial applications. The DuroSite® LED Linear fixture's rugged solid state design makes it highly resistant to shock and vibration. Its fully gasketed IP66 rated enclosure makes it suitable for dusty & wet locations, its 1598/A rating guarantees added protection from salt water spray. The DuroSite® LED Linear's superior design allows for mounting versatility and ease of installation for many lighting applications.

Mechanical Information

Fixture Weight:	11 lbs (4.99 kg) 4' 10 lbs (4.53 kg) 2'
Shipping Weight:	13 lbs (5.90 kg) 4' 12 lbs (5.44 kg) 2'
Mounting:	(3) 3/4" NPT openings Optional swivel bracket - LTXW4 Optional low profile bracket - LTXW4LP

Electrical Specifications

Operating Voltage:	100 - 277V AC 50/60Hz
Power Consumption:	See ordering information
Operating Temp:	-40°F to +149°F (-40°C to +65°C)
Harmonics:	IEC 61000-3-2
Noise Requirements/ EMC:	FCC Title 47, Subpart B, Section 15, class A device. RF Immunity; 10V/m, 80MHz-1GHz
Surge Protection:	EN 61000-4-5 4 kV line to line 4 kV line to ground

THD: < 20%

Power Factor: > 0.9

Power supply equipped with inline fuse

Construction

Finish: Superior dual coat finish
Sealed polyester topcoat
Chemical-resistant epoxy primer

Lens: Polycarbonate

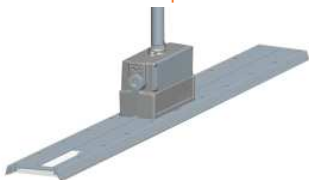
Photometric Information

CRI:	75, 80
CCT:	5000K (cool white) 4000K (neutral white)
IES Files:	Available upon request

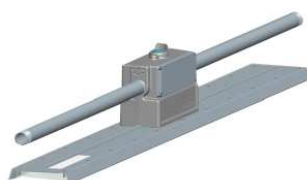
All values typical unless otherwise stated
All lumen values are typical (tolerance +/- 10%)
*Consult factory for 80 min CRI

Mounting Options

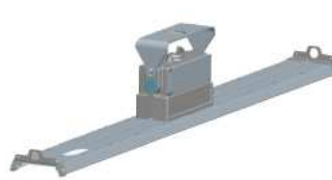
Conduit Top Mount



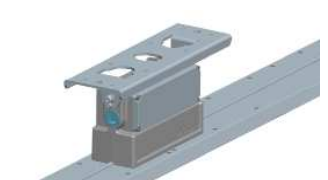
Conduit Side Mount



LTXW4



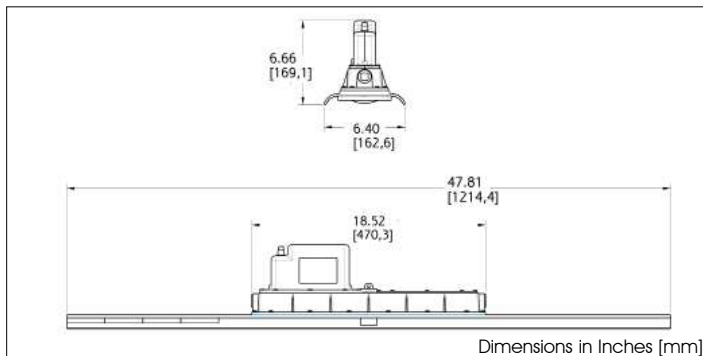
LTXW4LP





DuroSite® LED Linear Fixture

Battery Backup



Certifications

- UL 1598/A
- UL 924
- CSA C22.2 #250.0
- IP66
- NEMA 4X

Features & Benefits

- L70 rated for >100,000 hours @ 25°C
- 3 year warranty (excluding battery)
- 450 lumens in battery backup mode consistent throughout life of battery
- Low power consumption
- Battery status indication light
- Instant on/off operation
- Push to test button
- Superior color rendition index compared to HPS, LPS, MV
- Mercury Free
- Resistant to shock and vibration
- Temperature compensation technology for longer life

Application:

Dialight's DuroSite® LED linear fixture replaces HID and fluorescent lighting fixtures in industrial applications. The DuroSite® LED Linear fixture's rugged solid state design makes it highly resistant to shock and vibration. Its fully gasketed IP66 rated enclosure makes it suitable for dusty & wet locations, its I598 rating guarantees added protection from salt water spray. The DuroSite LED Linear's superior design allows for mounting versatility and ease of installation for many lighting applications.

This fixture is offered in sustained and maintained configurations.

Sustained has a single AC input and battery backup mode is entered upon any loss of power. Fixture cannot be turned off without entering battery backup mode.

Maintained has two AC inputs. The fixture can be turned on and off via AC-1 and Fixture only enters battery backup mode when AC-2 is lost or low.

Mechanical Information

Fixture Weight:	18.0 lbs (8.16 kg)
Shipping Weight:	21.0 lbs (9.53 kg)
Mounting:	(1) Threaded 3/4" NPT Side (2) Threaded 3/4" NPT Ends

Electrical specifications:

Operating Voltage:	100-277V AC 50/60 Hz
Power Consumption:	85W
Operating Temp:	-20°F to +149°F (-20°C to +65°C)
Battery:	3.6V 10Ah Nimh
Battery Life:	4 years
Battery Duration:	>3 hours
Harmonics:	IEC 61000-3-2
Noise Requirements/ EMC:	FCC Title 47, Subpart B, Section 15, class A device. RF Immunity; 10V/m, 80MHz-1GHz
Surge Protection:	EN 61000-4-5 1 kV line to line 2 kV line to ground
THD:	< 20%
Power Factor:	> 0.9

Construction

Finish:	Superior dual coat finish Sealed polyester topcoat Chemical-resistant epoxy primer
Lens:	Polycarbonate

Photometric Information

CRI:	75
CCT:	5000K (cool white)
IES Files:	Available upon request

All values typical unless otherwise state
All lumen values are typical (tolerance +/- 10%)

Mounting Options

In-line Conduit Mount



Overhead Conduit Mount



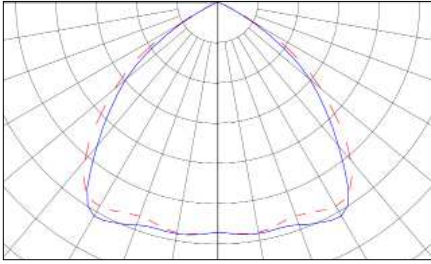
LSXW4



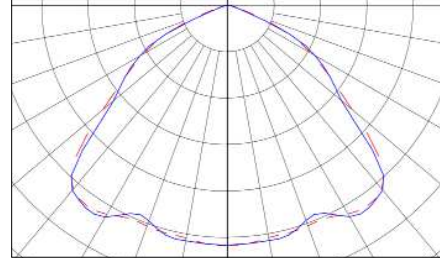
DuroSite® LED Linear Fixtures

Light Distribution Patterns

Standard models



Battery Backup models



Ordering Information

Part Number	Length	CRI	Type	Fixture Lumen	Watt	LPW	Voltage	CCT	Lens	Optical Pattern
Low Profile Models										
LPM3C4M2P	4'	75	Low Profile	7,250	66	110	100 - 277 V AC	5000K (cool white)	Clear Polycarbonate	Circular
LPM3C4H2D	4'	75	Low Profile	6,900	66	105	100 - 277 V AC	5000K (cool white)	Textured Polycarbonate	Circular
LPM3C4H2W	4'	75	Low Profile	6,700	66	102	100 - 277 V AC	5000K (cool white)	Diffused polycarbonate	Circular
LPM3B4M2P	4'	80	Low Profile	6,500	66	98	100 - 277 V AC	5000K (cool white)	Clear Polycarbonate	Circular
LPM3B4H2D	4'	80	Low Profile	6,200	66	94	100 - 277 V AC	5000K (cool white)	Textured Polycarbonate	Circular
LPM3B4H2W	4'	80	Low Profile	6,000	66	91	100 - 277 V AC	5000K (cool white)	Diffused polycarbonate	Circular
LPM3C4D2P	2'	75	Low Profile	3,600	33	109	100 - 277 V AC	5000K (cool white)	Clear Polycarbonate	Circular
LPM3C4B2D	2'	75	Low Profile	3,400	33	103	100 - 277 V AC	5000K (cool white)	Textured Polycarbonate	Circular
LPM3C4B2W	2'	75	Low Profile	3,300	33	100	100 - 277 V AC	5000K (cool white)	Diffused polycarbonate	Circular
LPM3B4D2P	2'	80	Low Profile	3,200	33	97	100 - 277 V AC	5000K (cool white)	Clear Polycarbonate	Circular
LPM3B4B2D	2'	80	Low Profile	3,000	33	91	100 - 277 V AC	5000K (cool white)	Textured Polycarbonate	Circular
LPM3B4B2W	2'	80	Low Profile	2,900	33	88	100 - 277 V AC	5000K (cool white)	Diffused polycarbonate	Circular
Top Conduit Models										
LTM3C4M2P	4'	75	Top Conduit	7,250	66	110	100 - 277 V AC	5000K (cool white)	Clear Polycarbonate	Circular
LTM3C4H2D	4'	75	Top Conduit	6,900	66	105	100 - 277 V AC	5000K (cool white)	Textured Polycarbonate	Circular
LTM3C4H2W	4'	75	Top Conduit	6,700	66	102	100 - 277 V AC	5000K (cool white)	Diffused polycarbonate	Circular
LTM3B4M2P	4'	80	Top Conduit	6,500	66	98	100 - 277 V AC	5000K (cool white)	Clear Polycarbonate	Circular
LTM3B4H2D	4'	80	Top Conduit	6,200	66	94	100 - 277 V AC	5000K (cool white)	Textured Polycarbonate	Circular
LTM3B4H2W	4'	80	Top Conduit	6,000	66	91	100 - 277 V AC	5000K (cool white)	Diffused polycarbonate	Circular
LTM3C4D2P	2'	75	Top Conduit	3,600	33	109	100 - 277 V AC	5000K (cool white)	Clear Polycarbonate	Circular
LTM3C4B2D	2'	75	Top Conduit	3,400	33	103	100 - 277 V AC	5000K (cool white)	Textured Polycarbonate	Circular
LTM3C4B2W	2'	75	Top Conduit	3,300	33	100	100 - 277 V AC	5000K (cool white)	Diffused polycarbonate	Circular
LTM3B4D2P	2'	80	Top Conduit	3,200	33	97	100 - 277 V AC	5000K (cool white)	Clear Polycarbonate	Circular
LTM3B4B2D	2'	80	Top Conduit	3,000	33	91	100 - 277 V AC	5000K (cool white)	Textured Polycarbonate	Circular
LTM3B4B2W	2'	80	Top Conduit	2,900	33	88	100 - 277 V AC	5000K (cool white)	Diffused polycarbonate	Circular
Battery Backup Models										
LSM3C4MEP	4'	75	Sustained	7,000	85	85	100 - 277 V AC	5000K (cool white)	Clear Polycarbonate	Circular
LSM3C4MNP	4'	75	Maintained	7,000	85	85	100 - 277 V AC	5000K (cool white)	Clear Polycarbonate	Circular

Notes:

Part numbers listed in the above table are cool white. For neutral white models replace the 5th character with **N**. Ex. LTM3**C**4D2P becomes LTM3**N**4D2P

¹450 Lumens in Battery Backup mode






²All lumen values are typical (tolerance +/- 10%)

For Dialight's complete list of DLC qualified products, please click this link: www.dialight.com/DLC







DuroSite® LED Linear Fixtures

Options and Accessories

Low Profile Models

	Part Number	Material	Description	Kit Includes
Low Profile Models				
				
	LPXW4	316 Stainless steel	Mounting bracket Can be angled at 0°, 30°, 45°, 60° & 90°	Mounting bracket Mounting hardware
	LPXW4LP	316 Stainless steel	Low profile mounting bracket Can be angled at 0° and 15°	Mounting bracket Mounting hardware
	LTXENDCAPKIT	304 Stainless steel	Chain mount and secondary retention bracket	2 Brackets Mounting hardware
	LTXSAFEKIT	304 Stainless steel	Safety cable kit for secondary retention	2 Brackets 2 53" Safety cables Mounting hardware





Top Conduit Mount Models

	Part Number	Material	Description	Kit Includes
Standard Models				
				
	LTXW4	6061 Aluminum	Mounting bracket Can be angled at 0°, 30°, 45°, 60° & 90°	Mounting bracket Mounting hardware
	LTXW4LP	5052 Aluminum	Low profile mounting bracket Can be angled at 0° and 15°	Mounting bracket Mounting hardware
	LTXENDCAPKIT	304 Stainless Steel	Chain mount and secondary retention bracket	2 Brackets Mounting hardware
	LTXSAFEKIT	304 Stainless Steel	Safety Cable Kit for secondary retention	2 brackets 2 53" Safety cables Mounting hardware
	LTXLSXW4	6061 Aluminum	Retrofit bracket adapter (used to connect LTM model fixtures to an existing LSXW4 bracket)	2 Bracket adapters Mounting hardware


DuroSite® LED Linear Fixtures

Options and Accessories

Battery Back up Models

	Part Number	Material	Description	Kit Includes
Battery Back up Models				
				
	LSXW4	6061 Aluminum	Mounting bracket Can be angled at 0°, 30°, 45°, 60° & 90°	Mounting bracket Mounting hardware
	LSXENDCAPKIT	304 Stainless steel	Chain mount brackets	2 Mounting brackets Mounting hardware
	HZXSAFEKIT	316 Stainless steel	Safety cable kit	2 Eyelets 2 53" Safety cables Mounting hardware


Battery Backup Wiring Configurations (Optional)



Add one of the following suffixes to the above part numbers for factory wired and installed 10' cable and cable gland:

- GS added for installed on one of the side entries (shown to the left)
- GT added for installed on the top entry (not shown)

Ex. LSM3C4D2P becomes LSM3C4D2**PGS**



Add one of the following suffixes to the above part numbers for factory wired and installed 10' cable and 3/4" conduit fitting.:

- CT added for installed on the top entry (shown to the left)
- CS added for installed on one the side entries (not shown)

Ex. LSM3C4D2P becomes LSM3C4D2**PCT**

Dialight reserves the right to make changes at any time in order to supply the best product possible. The most current version of this document will always be available at: www.dialight.com/Assets/Brochures_And_Catalogs/Illumination/MDTDLINX001.pdf
 Warranty Statement: EXCEPT FOR THE WARRANTY EXPRESSLY PROVIDED FOR [HEREIN/ABOVE/BELOW], DIALIGHT DISCLAIMS ANY AND ALL OTHER WARRANTIES, EXPRESS OR IMPLIED, INCLUDING, WITHOUT LIMITATION, ANY WARRANTIES OF MERCHANTABILITY, FITNESS FOR A PARTICULAR PURPOSE, TITLE, AND NONINFRINGEMENT.

DuroSite® LED Linear Fixture - UL / CSA
for Indoor and Outdoor Industrial Applications

