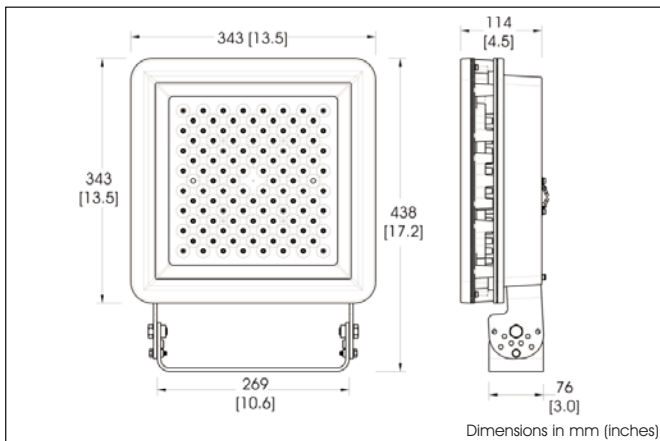




Patent Pending

## DuroSite® LED Floodlight - CE



### Certifications & Ratings

- CE
  - EN55015
  - EN61547
  - EN60598-1
  - EN61000-3-2
  - EN62031
  - EN62471
- IP 66/67 to EN60529
- IK07

### Features & Benefits

- 10 year full performance warranty
- L70 rated for > 100,000 hours @ 25°C ambient
- Instant on/off operation
- Universal input (100-277V AC), 50/60Hz
- Superior colour rendition index compared to HPS, LPS, MV
- Mercury free
- Resistant to shock and vibration
- Temperature compensation technology for longer life
- Factory sealed
- Isolated wiring compartment
- Integral Safety Straps

### Application:

The DuroSite® LED Floodlight represents the future of energy efficient facility illumination for industrial applications worldwide. The lighting fixture consumes at least 50% less energy than traditional HID light sources, while reducing maintenance and carbon emissions. This light incorporates both cutting edge LED technology along with proprietary optics to achieve floodlighting comparable with other traditional light sources.

### Mechanical Information

<b>Fixture Weight:</b>	
15,000 - 13,500lm:	14 kg (30 lb)
11,500 - 10,750lm:	12 kg (27 lb)
<b>Shipping Weight:</b>	
15,000 - 13,500lm:	15.5 kg (34 lb)
11,500 - 10,750lm:	14 kg (31 lb)
<b>Mounting:</b>	Trunnion mounting bracket included
<b>Entry:</b>	(2) M20 cable entries

### Electrical specifications

<b>Operating Voltage:</b>	100 - 277V AC, 50/60Hz
<b>Power Consumption:</b>	See table
<b>Operating Temp:</b>	-40°C to +65°C (-40°F to +149°F)

<b>Noise Requirements/ EMC:</b>	EN 55015 - conducted and radiated EN 61000-3-2, EN 61000-4-2, EN 61000-4-3, EN 61000-4-4, EN 61000-4-5, EN 61000-4-6, EN 61000-4-11
---------------------------------	---

<b>Surge Protection:</b>	EN61000-4-5 Verified up to 6kV/2ohms at an independent test laboratory Protection devices capable of 20kV
--------------------------	---

<b>THD:</b>	< 15%
-------------	-------

<b>Power Factor:</b>	> 0.9
----------------------	-------

### Construction

<b>Housing:</b>	Powder coated copper free aluminum
<b>Bracket:</b>	304 Stainless Steel
<b>Finish:</b>	Polyester / Epoxy powder coat grey RAL 7040 for superior corrosion resistance
<b>Lens:</b>	Tempered glass (contact factory for Polycarbonate lens options)

### Photometric Information

<b>CRI:</b>	70
<b>CCT:</b>	5000K (cool white)
<b>NEMA Patterns:</b>	Asymmetrical (140° x 115°) Asymmetrical (115° x 140°) Very wide (115°) Wide (93°) Medium (52°) Narrow (23°)
<b>IES Files:</b>	available at <a href="http://www.dialight.com">www.dialight.com</a>

All values typical unless otherwise stated  
All lumen values are typical (tolerance +/- 10%)

# DuroSite® LED Floodlight

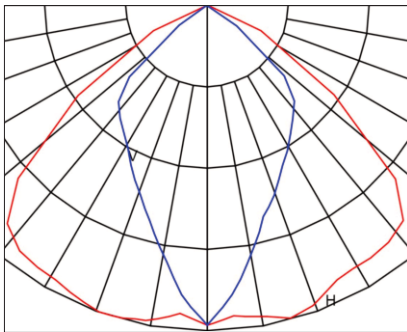
## Ordering Information

Part Number	Optical Pattern	Voltage	Color	Fixture Lumens	Wattage	Lumens Per Watt
FLE466MC4NG	Very Wide (115°)	100 - 277V AC	5000K (cool white)	15,000	140	107
FLE476MC4NG	Asymmetrical (140° x 115°)	100 - 277V AC	5000K (cool white)	14,750	140	105
FLE467MC4NG	Asymmetrical (115° x 140°)	100 - 277V AC	5000K (cool white)	14,750	140	105
FLE455MC4NG	Wide (93°)	100 - 277V AC	5000K (cool white)	14,500	140	104
FLE444MC4NG	Medium (52°)	100 - 277V AC	5000K (cool white)	14,500	140	104
FLE422MC4NG	Narrow (23°)	100 - 277V AC	5000K (cool white)	13,500	140	96
FLE276MC2NG	Asymmetrical (140° x 115°)	100 - 277V AC	5000K (cool white)	11,500	109	105
FLE267MC2NG	Asymmetrical (115° x 140°)	100 - 277V AC	5000K (cool white)	11,500	109	105
FLE266MC2NG	Very Wide (115°)	100 - 277V AC	5000K (cool white)	11,250	109	103
FLE255MC2NG	Wide (93°)	100 - 277V AC	5000K (cool white)	11,000	109	101
FLE244MC2NG	Medium (52°)	100 - 277V AC	5000K (cool white)	10,500	109	96
FLE222MC2NG	Narrow (23°)	100 - 277V AC	5000K (cool white)	10,750	109	99

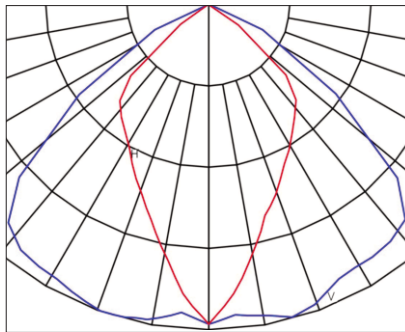
Part numbers listed in the above table are powder coated grey. For bronze powder coated, replace the 10th character with **Z**. FLE244MC2**NG** becomes FLE244MC2**ZG**

## Optical Patterns

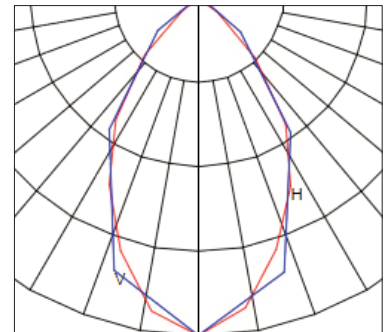
Asymmetrical  
Field angle = 140° x 115°



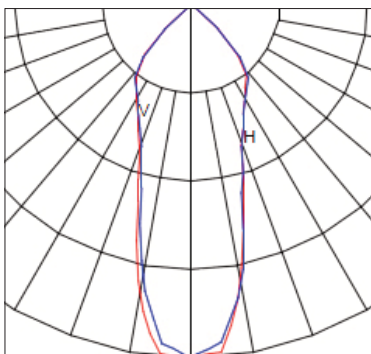
Asymmetrical  
Field angle = 115° x 140°



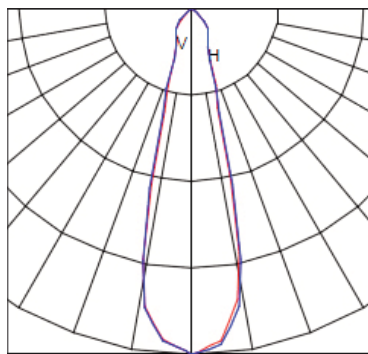
Very wide  
Field angle = 115°



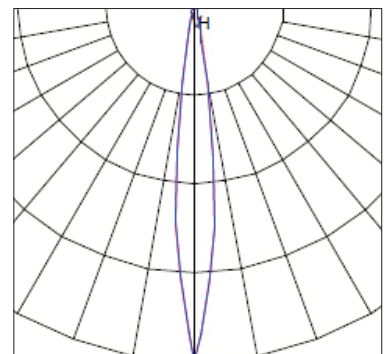
Wide  
Field angle = 93°






Medium  
Field angle = 52°









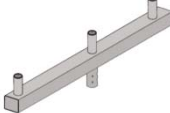



Narrow  
Field angle = 23°



# DuroSite® LED Floodlight - Mounting Options

	Part Number	Description	Kit Includes
Safety Cable Kit			
	HZXSAFECBLS	Safety cable Kit	2 Safety cables
Tenon Adapter (Bronze)			
	FLX-1TPT-20DB	Tenon pole topper, 2-3/8" mount	Tenon topper, pole set screws, and mounting hardware
Stanchion Mount Junction Box (Grey)			
	HZXSTAN100S	1.00" (1.315" Pole OD) slip-fit stanchion mount junction box	Junction box Mounting hardware Cable gland
	HZXSTAN125S	1.25" (1.660" Pole OD) slip-fit stanchion mount junction box	
	HZXSTAN150S	1.50" (1.900" Pole OD) slip-fit stanchion mount junction box	
	<b>HZXSTAN200S</b>	<b>2.00" (2.375" Pole OD) slip-fit stanchion mount junction box</b>	
	HZXSTAN100T	1.00" NPT (1.315" Pole OD) threaded stanchion mount junction box	
	HZXSTAN125T	1.25" NPT (1.660" Pole OD) threaded stanchion mount junction box	
	HZXSTAN150T	1.50" NPT (1.900" Pole OD) threaded stanchion mount junction box	
	HZXSTAN200T	2.00" NPT (2.375" Pole OD) threaded stanchion mount junction box	

Brackets and Adapters below require either Tenon Adapter (FLX-1TPT-20DB) or Stanchion Mount Junction Box (HZXSTAN200S) to mount floodlight. Tenon Adapter and Stanchion Mount Junction Box sold separately.

	Part Number	Description	Kit Includes
Right Angle Bracket (Bronze)			
	FLX-1RAB-20DB	Right angle mounting bracket for 2-3/8" light mount	Right angle bracket
Bull Horn Bracket (Bronze)			
	FLX-2LBH-20DB	Bull horn for 2 lights, 2-3/8" mount, 26" spacing	Bull Horn Pole set screws
	FLX-3LBH-20DB	Bull horn for 3 lights, 2-3/8" mount, 26" spacing	Bull Horn Pole set screws
	FLX-4LBH-20DB	Bull horn for 4 lights, 2-3/8" mount, 26" spacing	Bull Horn Pole set screws
	FLX-4RBH-20DB	Bull horn for 4 lights in star configuration, 2-3/8" mount, 26" spacing	Bull Horn Pole set screws
Round Square Round Bracket (Bronze)			
	FLX-2RSR-20DB	Round Square Round bracket for 2 lights, 2-3/8" mount, 26" spacing	Bull Horn Pole set screws
	FLX-3RSR-20DB	Round Square Round bracket for 3 lights, 2-3/8" mount, 26" spacing	Bull Horn Pole set screws
	FLX-4RSR-20DB	Round Square Round bracket for 4 lights, 2-3/8" mount, 26" spacing	Bull Horn Pole set screws
Round Tenon Adapter (Bronze)			
	FLX-3RPA-20DB	Reducer for 3" OD round pole top to 2-3/8" light mount	Reducer Pole set screws
	FLX-4RPA-20DB	Reducer for 4" OD round pole top to 2-3/8" light mount	Reducer Pole set screws
Square Tenon Adapter (Bronze)			
	FLX-4SPA-20DB	Internal tenon adapter for 4" square pole top to 2-3/8" light mount	Adapter
	FLX-5SPA-20DB	Internal tenon adapter for 5" square pole top to 2-3/8" light mount	Adapter
	FLX-6SPA-20DB	Internal tenon adapter for 6" square pole top to 2-3/8" light mount	Adapter

Tenon adapter (FLX-1TPT-20DB) or stanchion mount junction box (HZXSTAN200S) sold separately.

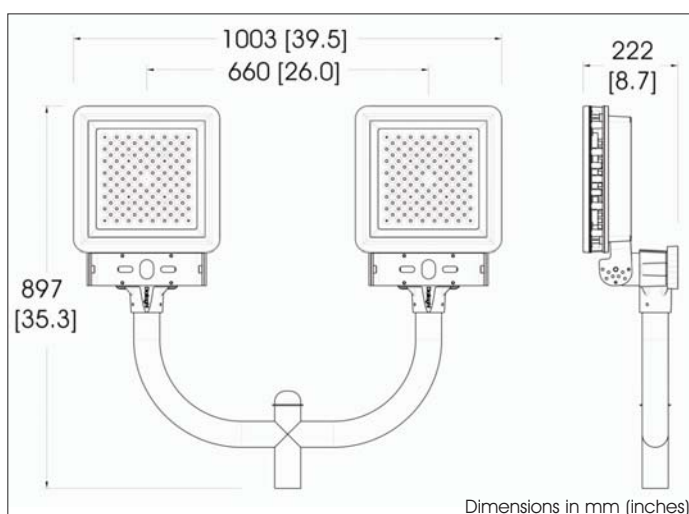
# DuroSite® LED Floodlight

## Mounting Options

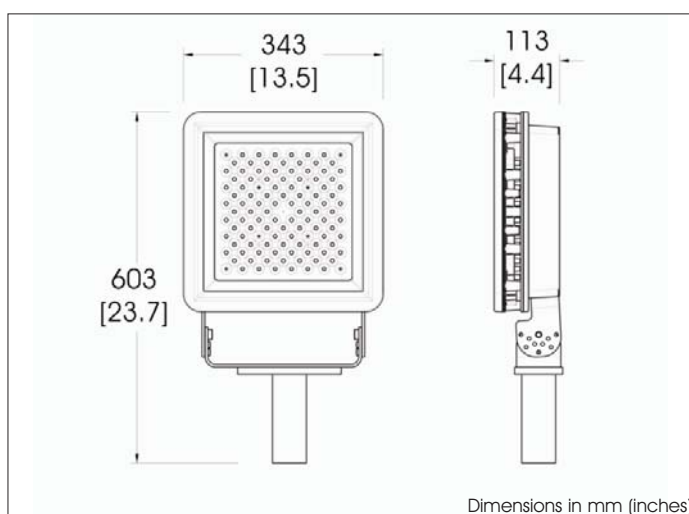


Product shipped with bracket installed  
 (Bracket has locking positions at 0°, (±) 22.5°, (±) 45 (±) 67.5°, and 90°)

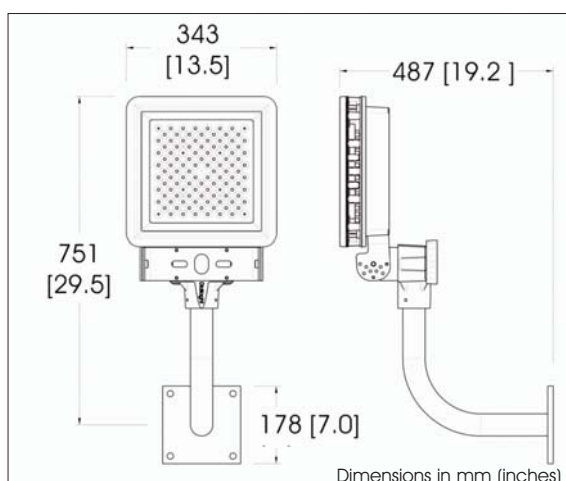
FLX-2LBH-20DB dimensions



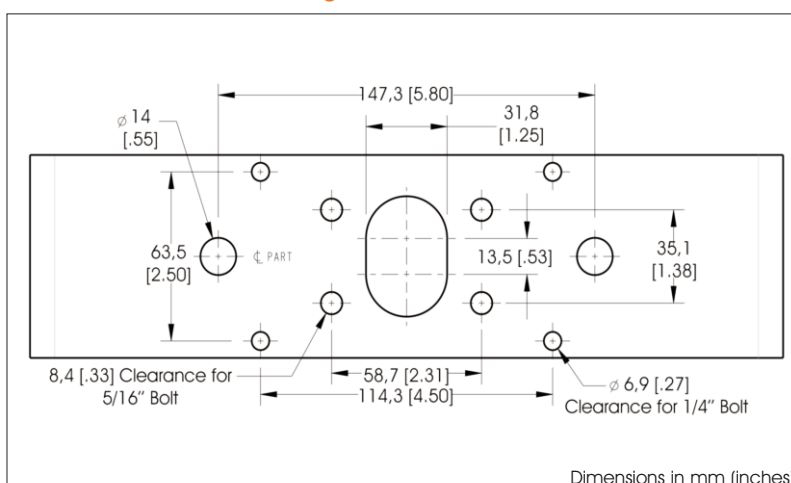
FLX-1TPT-20DB dimensions



FLX-1RAB-20DB dimensions



Mounting bracket dimensions



Dialight reserves the right to make changes at any time in order to supply the best product possible. The most current version of this document will always be available at: [www.dialight.com/Assets/Brochures\\_And\\_Catalogs/Illumination/MDTEXDSFLEUX001.pdf](http://www.dialight.com/Assets/Brochures_And_Catalogs/Illumination/MDTEXDSFLEUX001.pdf)

Warranty Statement: EXCEPT FOR THE WARRANTY EXPRESSLY PROVIDED FOR [HEREIN/ABOVE/BELOW], DIALIGHT DISCLAIMS ANY AND ALL OTHER WARRANTIES, EXPRESS OR IMPLIED, INCLUDING, WITHOUT LIMITATION, ANY WARRANTIES OF MERCHANTABILITY, FITNESS FOR A PARTICULAR PURPOSE, TITLE, AND NONINFRINGEMENT.