

...CONTINUED

### Ordering Information

Description	Cat. No.	Volts	Amps	VA	Coil Res (Ohms)	dB@10' (3M)
Adaptahorn	B-KM-8130-G5	24VAC, 60 Hz	2	48	1	106
	B-KM-8130-N5	120VAC, 60 Hz	0.45	52	24	106
	B-KM-8130-R5	240VAC, 60 Hz	0.2	46	103.2	106
Adaptabuzzer	B-KM-8140-G5	24VAC, 50/60 Hz	0.8	19	5	89
	B-KM-8140-N5	120VAC, 50/60 Hz	0.2	23	146	89
	B-KM-8140-R5	240VAC, 50/60 Hz	0.1	23	740	89
	B-8141-G1	24Vdc	0.8	19	21.5	89
	B-8141-S1	250Vdc	.10	25	600	89
Mineguard Buzzer	B-8140-M-G5	24VAC, 60 Hz	0.8	19	5	89
	B-8140-M-N5	120VAC, 60 Hz	0.2	23	146	89
	B-8140-M-R5	240VAC, 60 Hz	0.1	23	740	89
	B-8141-M-G1	24Vdc	0.8	19	21.5	89
	B-8141-M-P1	125Vdc	0.2	25	110	89
	B-8141-M-S1	250Vdc	0.1	24	600	89

### Overview

Hazardous location Adaptatone signals are designed for industrial applications where high audible output, on-site tone selection, microprocessor reliability, and safety in a hazardous location is required. Each hazardous location Adaptatone signal is CSA certified and offers 55 tone selection with two signal capability.

All solid state. Fully enclosed, heavy duty zinc cast construction. Durable corrosion resistant electrostatic heat flowed powder epoxy gray finish. 55 tone capability is an integral part of each Adaptatone Signal. Additional tone modules or parts are not required, thus permitting easy selection of any tone required to overcome background or ambient sounds. Each signal has an internal volume control.

### Standard Features

- **CSA certified for:**
  - Class I, Division 1 and 2, Groups B, C, and D
- **AC or DC operation**
- **Two signal capability**
- **Microprocessor reliability**
- **55 programmable tone selection**
- **Priority tone selection capability**
- **Solid State**

### 5533M Series Hazardous Location

Signal accepts up to two contact closures and delivers two different user selected audible output signals. Both tones are programmable and are selected from the 55 tones available within the signal. One of the tones can be assigned a priority status i.e. will override the other tone. Cat. No. 5533M is designed for use in Class I, Division 1, Groups B, C, and D, and Division 2, Group A hazardous locations.

## Adaptatone® Explosionproof Multiple Tone Signals 5533M



5533M Series



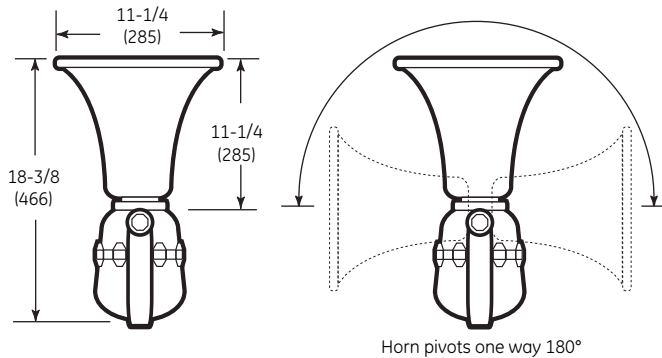
...CONTINUES

C-7

...CONTINUED

### Installation and Mounting

Mounts on any solid surface using three bolts. May be swivelled through 180 degrees, vertically or horizontally, depending on mounting of bracket. Cat. No. 5533M units are fitted with sealed, threaded 1/2" fitting and 30" numbered wire leads for connection to local power source.



### Programmable Tone Selection

Programming the Adaptatone Signal for the tone or tones selected is accomplished through setting the switches located in the signal base. A convenient tone selection chart is provided in the cover of each unit. In some cases the signaling task will dictate the tones required. For example, if a paging function is to be performed one of the unique percussive tones (Stutter, Chime 1, Ding-Dong or Chime 2) may be most suitable. Local regulations or standards may necessitate on-site evaluation of all available tones to select the most suitable tone. On-site volume control is also available by adjusting the conveniently located volume control in the base.

### Applications

Typical applications include: mining, granaries, flour mills, tankers, refineries, laboratories, spray booths and other hazardous locations.

### Ordering Information

Cat. No.	Operating Voltage	Signal Off Standby Current (Amps)	Signal On Operating Current (Amps)
5533M-AQ	24Vdc	0.061	0.470
	36Vdc	0.077	0.600
	24VAC, 50/60Hz	0.250	1.320
5533M-Y6	120VAC, 50/60Hz	0.088	0.260
	240VAC, 50/60Hz	0.091	0.190
	125Vdc	0.031	0.130
	250Vdc	0.019	0.070

