

## Overview

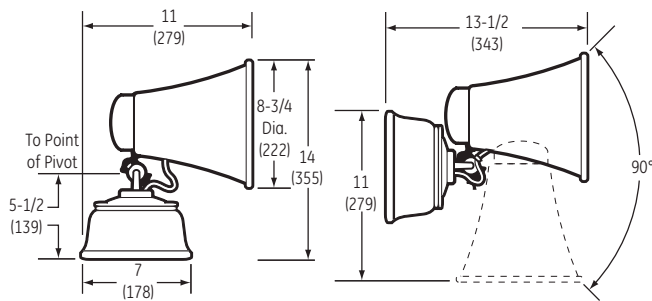
Low-current, extremely high decibel, high-performance signalling device designed to function either as a horn or as a siren with a flick of a switch. Horn may be coded or used as continuous alarm.

All solid-state (no contacts to wear out). Eliminates excessive start-up current. High decibel sound output (112 to 114 dB at 10 feet). Easy Adaptable installation (fits any single-gang opening, square or octagon boxes or equivalent fittings).

Directional megaphone swivels 180 degrees horizontally; 90 degrees vertically. No moving parts - maintenance free. Metallic grey finish.

## Installation and Mounting

Can be easily installed. Its universal Adaptable mounts directly on a wall; any single-gang opening; 3-1/4", 3-1/2" and 4" octagon or 4" square boxes; or equivalent fitting. May be swivelled through 180 degrees horizontally and 90 degrees vertically. Once mounted, the horn/siren switch is tamper-proof. Simplified wiring reduces time and cost to a minimum. May be weatherproofed by adding a GE Security No. 349 back box.



## Standard Features

- AC and DC types
- Solid state design
- CSA certified

## Applications

Use Duotronic for schools, factories, lumber yards, commercial installations, burglar alarms, fire alarms, boats, fleet vehicles, etc. Mount on 349 box for weatherproof applications. Use explosion proof model in mines, granaries, flour mills, tankers, refineries, laboratories and other hazardous locations. (See 5524 and 5525, Section C)

### Horn

For timing, scheduling, paging, alarms or coded signals. Predominant frequency is 1.1 KHz.

### Siren

For use where standard horns or bells are not satisfactory. Rises and falls from 600-1300 Hz every 3 seconds. Not adaptable for coding. Particularly suited to areas of high noise level.

## Ordering Information

| Cat. No. | Volts    | Amps | VA   | dB 10'(3M)  |
|----------|----------|------|------|-------------|
| 5520-AS  | 12VAC**  | 1.3  | 15.6 | 114 (Horn)  |
|          | 12Vdc    | 0.7  | 8.4  |             |
| 5520-AQ  | 24VAC**  | 0.75 | 20.5 | 114 (Siren) |
|          | 24Vdc    | 0.35 | 8.4  |             |
| 5520-N5  | 120VAC** | 0.28 | 33.6 |             |
| 5520-P1  | 125Vdc   | 0.1  | 12.5 |             |
| 5520-R5* | 240VAC** | 0.1  | 24.0 |             |

\* Uses separately mounted 598Y Transformer (included).  
\*\* 50/60 Hz

## Duotronic Horn/Siren 5520 Series

