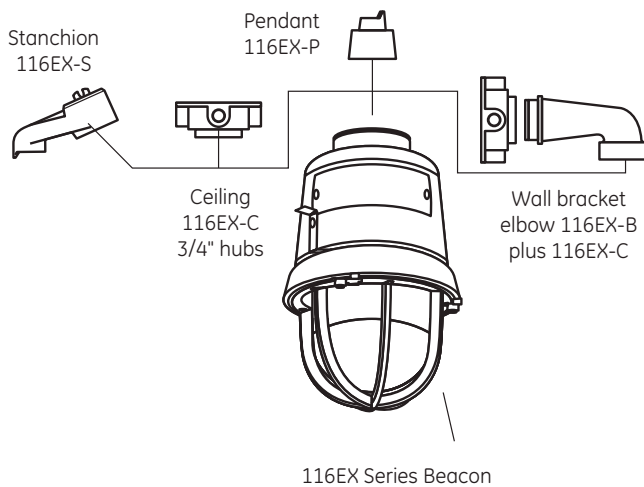


Overview

Our explosionproof AdaptaBeacons are designed for installation in hazardous location environments. Rigid specifications and state-of-the-art technology provide for high visual output and low maintenance. The units are approved for Division 1 and 2 locations and are NEMA 3R and 4X rated - 116EXM and 116DEXM models have additional marine ratings. Models are available for pendant, wall, ceiling and stanchion mounting.

Typical industrial and commercial applications include: food processing plants, refineries, mines, tankers, laboratories, sewage treatment plants, off shore oil rigs, water and filtration plants, and chemical plants.

Mounting Options



Standard Features

- **Bracket, ceiling, pendant or stanchion mount**
- **High impact glass dome, dome guard included**
- **Factory sealed**
 - no external seals required
- **Quick connect**
 - threads onto mounting module for easy installation
- **Shock absorbing receptacle**
- **Easy to assemble & relamp**
- **silicone gaskets seal out dirt & moisture**
- **epoxy powder coat for corrosion resistance**
- **cUL listed for:**
 - Class I, Division 1 Groups C and D
 - Division 2, Groups A, B, C and D
 - Class II, Division 1 and 2, Groups E, F and G
 - Class III, Division 1 and 2
- **Nema Type 3R and 4X rated**
- **Marine rated (excludes 116EXST(+)-EK)**

AdaptaBeacon® Explosionproof Beacons 116EX Series



...CONTINUES

...CONTINUED

Ordering information

Order beacon plus mounting module. Wall mount requires 116EX-B and 116EX-C modules.

Cat No.	Description	Electrical Rating
116DEXMSINH(+)-GW	Steady on beacon	24-28Vdc, 0.8A
116EXMSINH(+)-N5	Steady on beacon	120VAC, 0.1A
116DEXMRINH(+)-GW	Rotating beacon	24-28Vdc, 0.8A
116EXMRINH(+)-N5	Rotating beacon	120VAC, 0.42A
116EXST(+)-EK	Strobe beacon	12-48Vdc, 0.38-1.2A
116EXMST(+)-N5	Strobe beacon	120VAC, 0.1A
116EX-B	Wall bracket mounting elbow	
116EX-C	Ceiling/wall mounting module	
116EX-P	Pendant mounting module	
116EX-S	Stanchion mounting module	

(+) Specify colour: R=Red, A=Amber, B=Blue, G=Green, C=Clear, M=Magenta

Installation and Mounting

